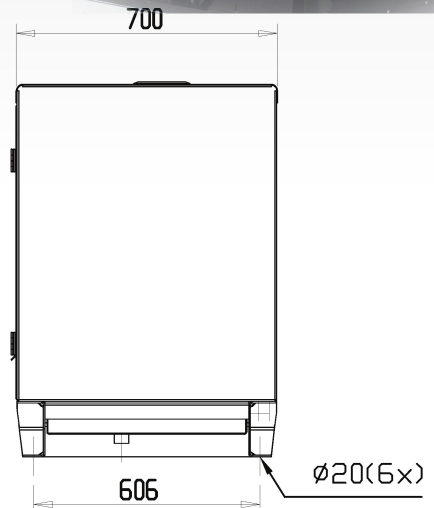
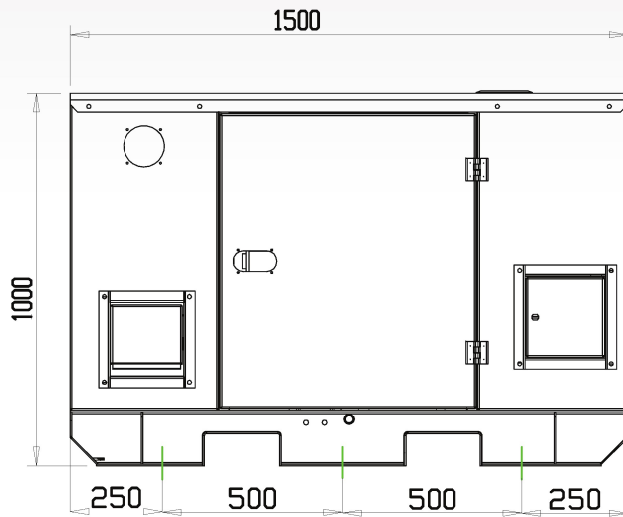


YTG6000N

(7.5 kVA / 1-Phase / TNV Series)



Silent Type Dimension (mm)



Genset & Engine Specification

AC Generator Model			YTG6000N	
Output rating (kVA)	50 Hz	220	Prime	7.5
			Standby	8.25
	60 Hz	220	Prime	-
			Standby	-
Rated current (A)	50 Hz	Prime		34.09
		Standby		37.5
	60 Hz	Prime		-
		Standby		-
Rated frequency / rated speed	50 Hz	1500 RPM		
	60 Hz	-		
No. of poles	4 poles			
Phase and wire	1-Phase 2-Wire			
Power factor	0.8			
Voltage regulation	Within +/- 1.5 %			
Excitation	Brushless, Rotating Exciter (with AVR)			
Insulation	Class 'H'			
Approx dry weight (silent)	kg	400		
Sound Level dBA from 1 meter / 7 meter	dBA	73 / 63		
Approx dry weight (open)	kg	-		

Engine Model		3TNV76-GGE
Type of combustion chamber		Indirect Injection
Air intake system		Natural Aspiration
Output rating (HP)	1500 RPM (50 Hz)	8.2
	1800 RPM (60 Hz)	9
Rated speed (50/60 Hz, rpm)		1500
Bore (mm) x stroke (mm)		76 x 82
Piston displacement (cm ³)		1116
No. of cylinders		3
Fuel		Diesel Fuel ASTM 2D
Fuel consumption (L/hr) at 100% load	50 Hz	2.5
	60 Hz	-
Lubricating oil capacity (L)		3.5
Coolant capacity (L)		1.0
Fuel tank capacity (L)	sound proof	76
	open skid	-
Starting motor (v-kW)		12 - 0.9
Charging generator (V-A)		12 - 15
Battery capacity (V-Ah)		12 - 35 x 1
Starting system		Electric Starting Motor
Cooling system		Radiator with fan
Lubricating system		Forced lubrication with trochoid pump

POWERED BY :

