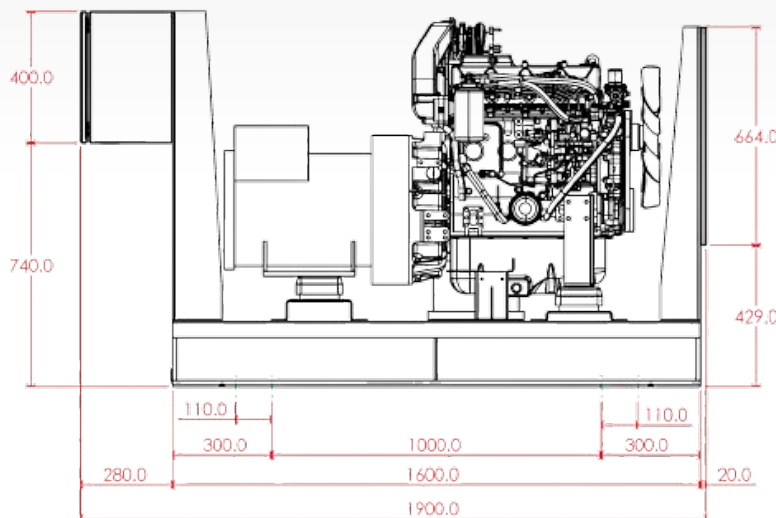
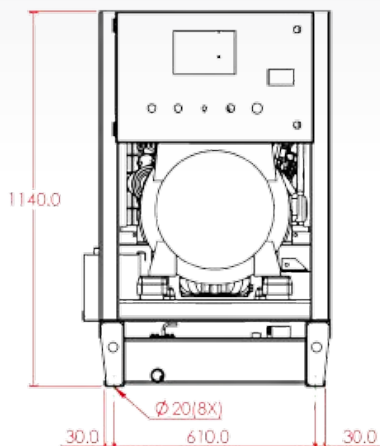


YTG50TLV-O

(40 kVA / 3-Phase / TNV Series)



Open Type Dimension (mm)



Genset & Engine Specification

AC Generator Model			YTG50TLV-O
Output rating (kVA)	50 Hz	380V	Prime 40.0
			Standby 44.0
	60 Hz	440V	Prime 55.0
			Standby 60
Rated current (A)	50 Hz	Prime 60.8	
		Standby 67.0	
	60 Hz	Prime 72.1	
		Standby 78.7	
Rated frequency / rated speed	50 Hz	1500 RPM	
	60 Hz	1800 RPM	
No. of poles	4 poles		
Phase and wire	3-Phase 4-Wires		
Power factor	0.8		
Voltage regulation	Within +/- 1.5 %		
Excitation	Brushless, Rotating Exciter (with AVR)		
Insulation	Class 'H'		
Approx dry weight (silent)	kg	1062	
Sound Level dBA from 1 meter / 7 meter	dBA	78 / 68	
Approx dry weight (open)	kg	945	

Engine Model		4TNV98T-GGE
Type of combustion chamber		Direct Injection
Air intake system		Turbocharged
Output rating (HP)	1500 RPM (50 Hz)	37.7
	1800 RPM (60 Hz)	45.3
Rated speed (50/60 Hz, rpm)		1500 / 1800
Bore (mm) x stroke (mm)		98 x 110
Piston displacement (cm ³)		3319
No. of cylinders		4
Fuel		Diesel Fuel ASTM 2D
Fuel consumption (L/hr) at 50/60 Hz	75% load	7.47/8.98
	100% load	9.96/11.97
Lubricating oil capacity (L)		10.5
Coolant capacity (L)		4.2
Fuel tank capacity (L)	sound proof	185
	open skid	110
Starting motor (v-kW)		12 - 2.3
Charging generator (V-A)		12 - 40
Battery capacity (V-Ah)		12 - 65 x 1
Starting system		Electric Starting Motor
Cooling system		Radiator with fan
Lubricating system		Forced lubrication with trochoid pump

POWERED BY :

