

PARTS CATALOGUE

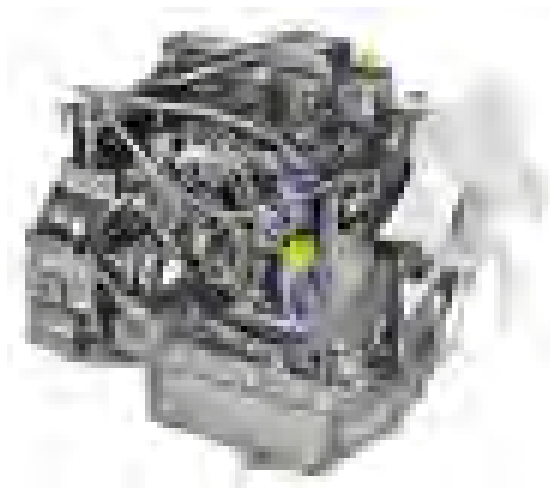
RESERVDELS KATALOG

ERSATZTEIL KATALOG

CATALOGUE DE PIECES

YANMAR
YANMAR DIESEL ENGINE
TNV SERIES

4TNV98-GGE



CONTENTS

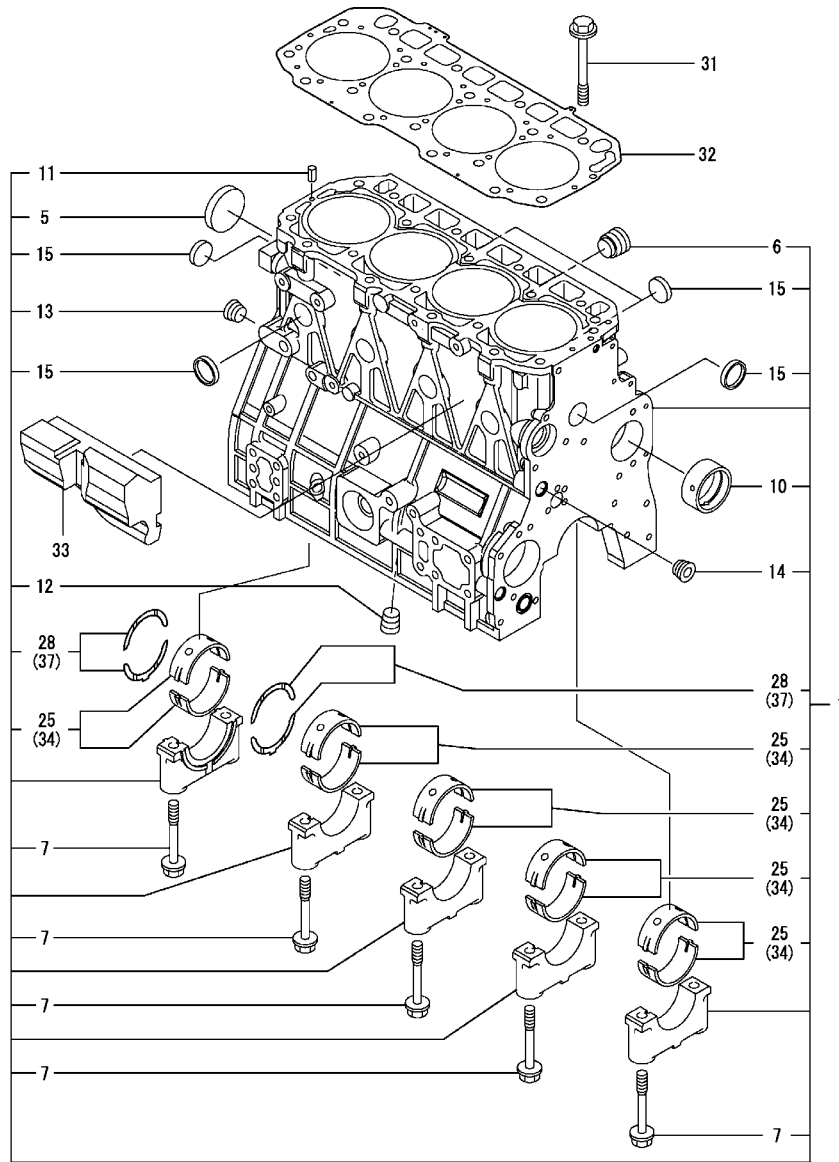
Fig.No. GROUP NAME

ENGINE SECTION

- 1. CYLINDER BLOCK**
- 2. GEAR HOUSING 4TNV98-NSA,NSA2**
- 3. GEAR HOUSING 4TNV98-GGE**
- 4. FLYWHEEL HOUSING & OIL SUMP 4TNV98-NSA,NSA2**
- 5. FLYWHEEL HOUSING & OIL SUMP 4TNV98- GGE**
- 6. CYLINDER HEAD & BONNET**
- 7. SUCTION MANIFOLD**
- 8. EXHAUST MANIFOLD**
- 9. CAMSHAFT & DRIVING GEAR**
- 10. CRANKSAHFT & PISTON**
- 11. LUB.OIL SYSTEM**
- 12. COOLING WATER SYSTEM**
- 13. FUEL INJECTION PUMP**
- 14. FUEL INJECTION VALVE**
- 15. FUEL LINE**
- 16. STARTING MOTOR**
- 17. GENERATOR**
- 18. GASKET SET**

Fig.1. CYLINDER BLOCK

(A)=4TNV98-NSA (D)=
 (B)=4TNV98-NSA2 (E)=
 (C)=4TNV98-GGE (F)=

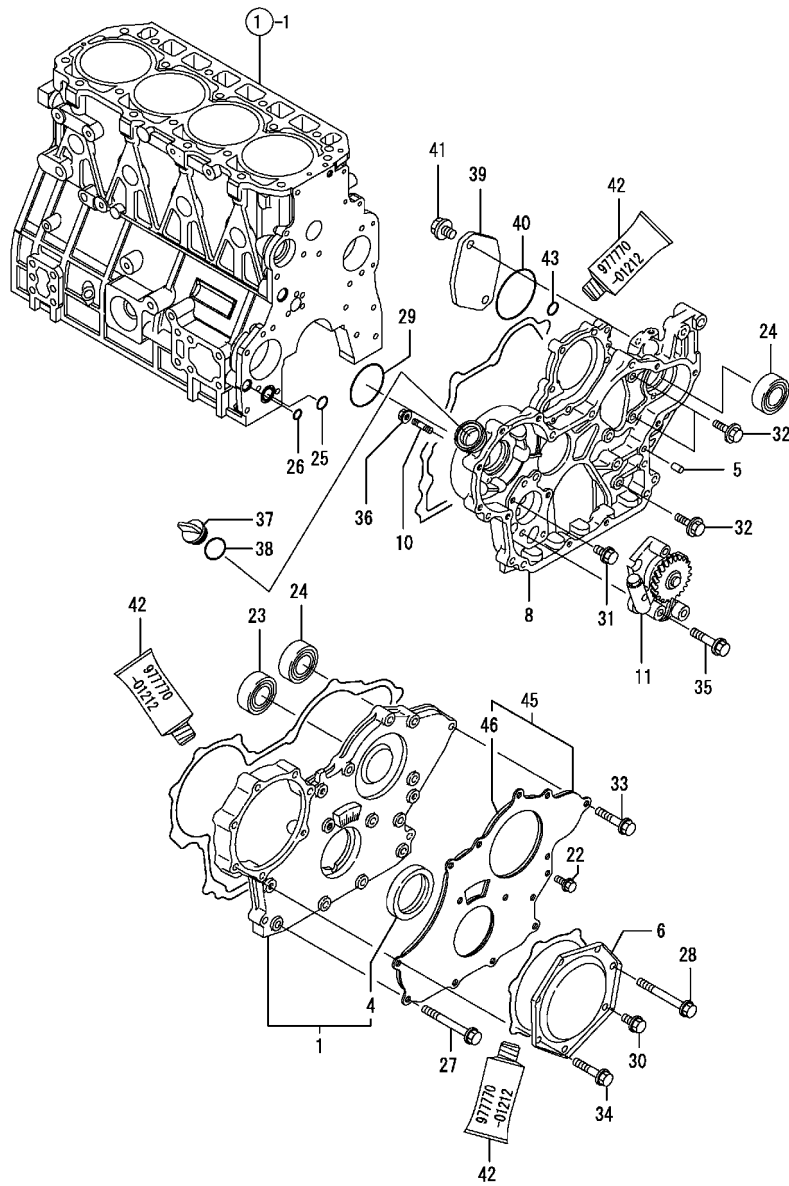


REF.	LEV.	PARTS NO.	DESCRIPTION	QTY						I	R
				(A)	(B)	(C)	(D)	(E)	(F)		
1	1	729907-01560	BLOCK ASSY, CYLINDER	1	1	1					
5	2	129900-01250	PLUG 55	1	1	1					
6	2	171051-01921	PLUG	1	1	1					
7	2	129900-02020	BOLT, METAL CAP	10	10	10					
10	2	129900-02410	BUSH, CAMSHAFT	1	1	1					
11	2	22351-060012	SPRING PIN 6X12	2	2	2					
12	2	23876-030000	PLUG PT3/8,SCREW	1	1	1					
13	2	23876-030000	PLUG PT3/8,SCREW	1	1	1					
14	2	23876-030000	PLUG PT3/8,SCREW	1	1	1					
15	2	27241-300000	PLUG, 30	8	8	8					
25	2	729900-02800	MAIN BEARING SET	5	5	5					3
28	2	129900-02930	BEARING ASSY, THRUST	2	2	2					
31	1	129900-01200	BOLT, HEAD	18	18	18					
32	1	129907-01331	GASKET,CYLINDER HEAD	1	1	1					
33	1	129907-01190	SPACER	1	1	1					
34	1	129900-02340	MAIN BEARING US=0.25	5	5	5					1
37	1	129900-02940	BEARING,THRUST .25OS	2	2	2					2

Remarks
 (1) UNDER-SIZED(U.S=0.25)PART.
 (2) OVER-SIZED(O.S=0.25)PART.
 (3) REPAIR PART.

(A)=4TNV98-NSA (D)=
 (B)=4TNV98-NSA2 (E)=
 (C)=4TNV98-GGE (F)=

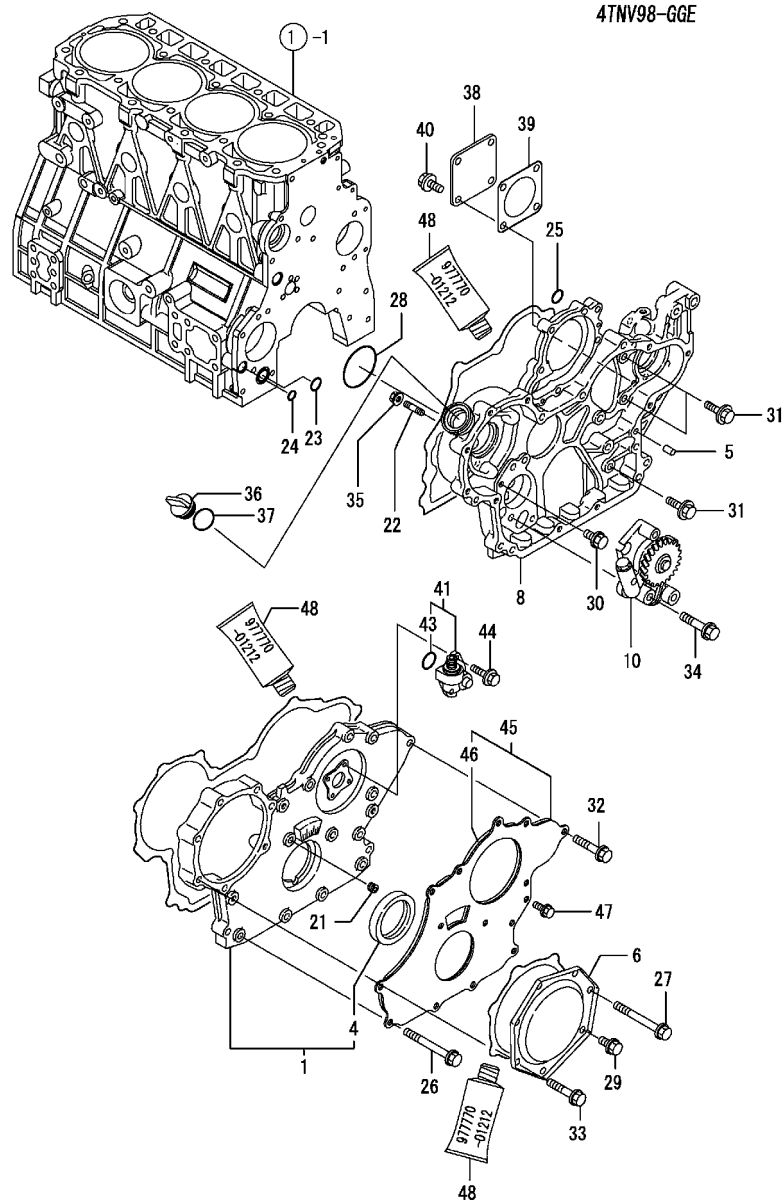
Fig.2. GEAR HOUSING



REF.	LEV.	PARTS NO.	DESCRIPTION	QTY						I	R
				(A)	(B)	(C)	(D)	(E)	(F)		
1	1	729907-01550	HOUSING ASSY,COVER,G	1	1						
4	2	129900-01780	SEAL, OIL	1	1						
5	1	129100-01580	PARALLEL PIN 8X16	4	4						
6	1	129900-01740	COVER, F.I. PUMP	1	1						
8	1	129962-01500	CASE, GEAR	1	1						
10	1	26216-100302	STUD BOLT	4	4						
11	1	129900-32001	PUMP ASSY, LUB.OIL	1	1						
22	1	26106-080162	BOLT M 8X 16 PLATED	3	3						
23	1	129900-14140	BEARING #6205	1	1						
24	1	129900-26250	BALL BEARING	2	2						
25	1	129900-32030	O-RING P20	1	1						
26	1	129900-32040	O-RING P14	1	1						
27	1	129001-91810	BOLT M 8X 70 PLATED	6	6						
28	1	129001-91810	BOLT M 8X 70 PLATED	1	1						
29	1	24351-030750	PACKING, 3075	1	1						
30	1	26106-080162	BOLT M 8X 16 PLATED	1	1						
31	1	26106-080162	BOLT M 8X 16 PLATED	1	1						
32	1	26106-080202	BOLT M 8X 20 PLATED	3	3						
33	1	26106-080402	BOLT M 8X 40 PLATED	5	5						
34	1	26106-080402	BOLT M 8X 40 PLATED	5	5						
35	1	26106-080452	BOLT M 8X 45 PLATED	3	3						
36	1	26306-100002	NUT	4	4						
37	1	124160-01751	COVER,FILLER	1	1						
38	1	24311-000320	O-RING 1A P-32.0	1	1						
39	1	121023-26070	COVER, HO-P	1	1						
40	1	24321-000850	O-RING 1A G-85.0	1	1						
41	1	26106-100202	BOLT M10X 20 PLATED	2	2						
42	1	977770-01212	GASKET, LIQUID	1	1						1
43	1	24311-000070	O-RING 1A P-7.0	1	1						
45	1	129900-01850	COVER ASSY	1	1						
46	2	129900-01870	SPONGE	1	1						

Remarks
 (1) OPTIONAL PART.

Fig.3. GEAR HOUSING



Y00R5670 3. GEAR HOUSING

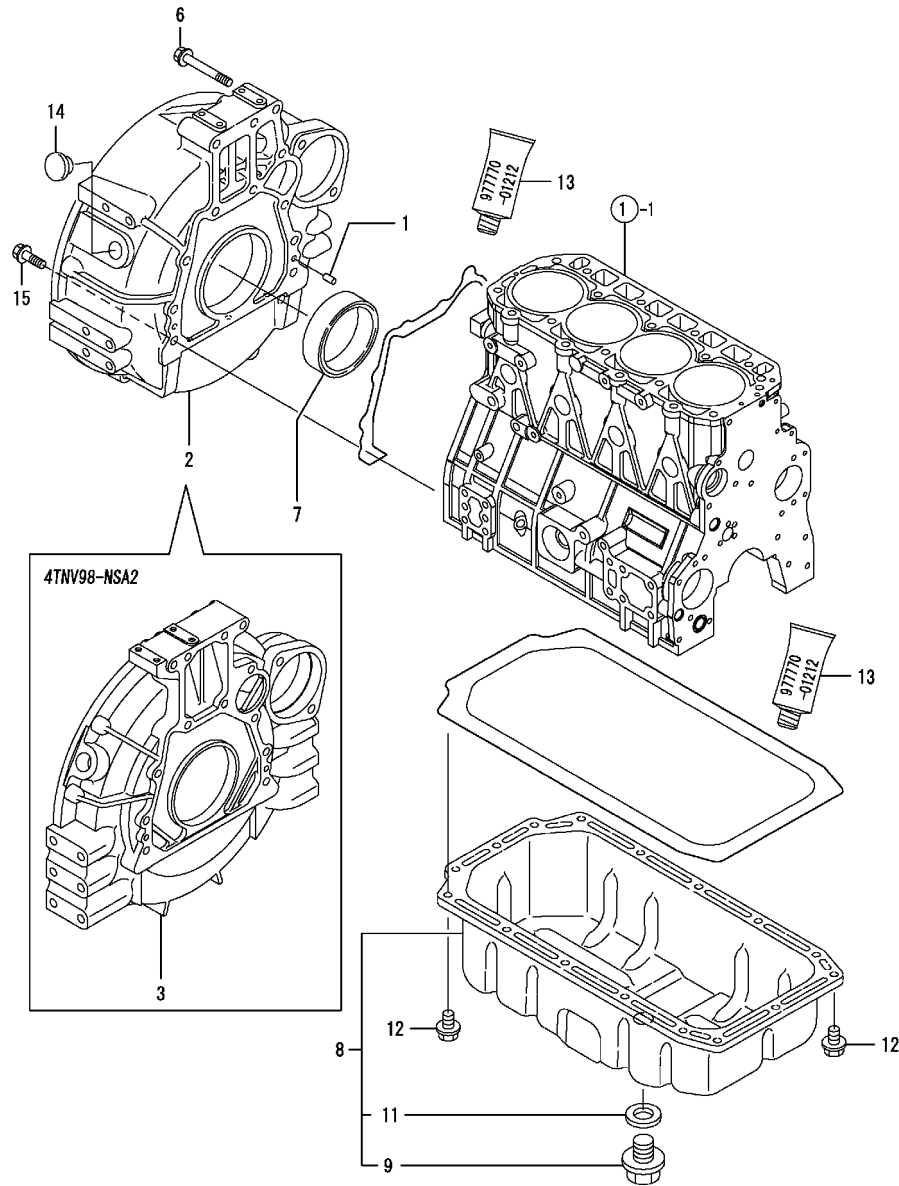
(A)=4TNV98-NSA (D)=
 (B)=4TNV98-NSA2 (E)=
 (C)=4TNV98-GGE (F)=

REF.	LEV.	PARTS NO.	DESCRIPTION	QTY						I	R		
				(A)	(B)	(C)	(D)	(E)	(F)				
1	1	729907-01570	HOUSING ASSY,COVER,G										
4	2	129900-01780	SEAL, OIL										
5	1	129100-01580	PARALLEL PIN 8X16										
6	1	129900-01740	COVER, F.I. PUMP										
8	1	129907-01500	HOUSING,GEARS										
10	1	129900-32001	PUMP ASSY, LUB.OIL										
21	1	23876-010000	PLUG PT1/8,SCREW										
22	1	26216-100302	STUD BOLT										
23	1	129900-32030	O-RING P20										
24	1	129900-32040	O-RING P14										
25	1	24311-000070	O-RING 1A P-7.0										
26	1	129001-91810	BOLT M 8X 70 PLATED										
27	1	129001-91810	BOLT M 8X 70 PLATED										
28	1	24351-030750	PACKING, 3075										
29	1	26106-080162	BOLT M 8X 16 PLATED										
30	1	26106-080162	BOLT M 8X 16 PLATED										
31	1	26106-080202	BOLT M 8X 20 PLATED										
32	1	26106-080402	BOLT M 8X 40 PLATED										
33	1	26106-080402	BOLT M 8X 40 PLATED										
34	1	26106-080452	BOLT M 8X 45 PLATED										
35	1	26306-100002	NUT										
36	1	124160-01751	COVER,FILLER										
37	1	24311-000320	O-RING 1A P-32.0										
38	1	124240-01871	COVER, HO-P										
39	1	124240-01883	GASKET, (NON-ASB.)										
40	1	26106-080162	BOLT M 8X 16 PLATED										
41	1	129150-91400	GEAR UNIT,TACHOMETER										
43	2	24341-000240	O-RING 1A S-24.0										
44	1	26106-060162	BOLT M 6X 16 PLATED										
45	1	129900-01850	COVER ASSY										
46	2	129900-01870	SPONGE										
47	1	26106-080162	BOLT M 8X 16 PLATED										
48	1	977770-01212	GASKET, LIQUID										1

Remarks
 (1) OPTIONAL PART.

(A)=4TNV98-NSA (D)=
 (B)=4TNV98-NSA2 (E)=
 (C)=4TNV98-GGE (F)=

Fig.4. FLYWHEEL HOUSING & OIL SUMP



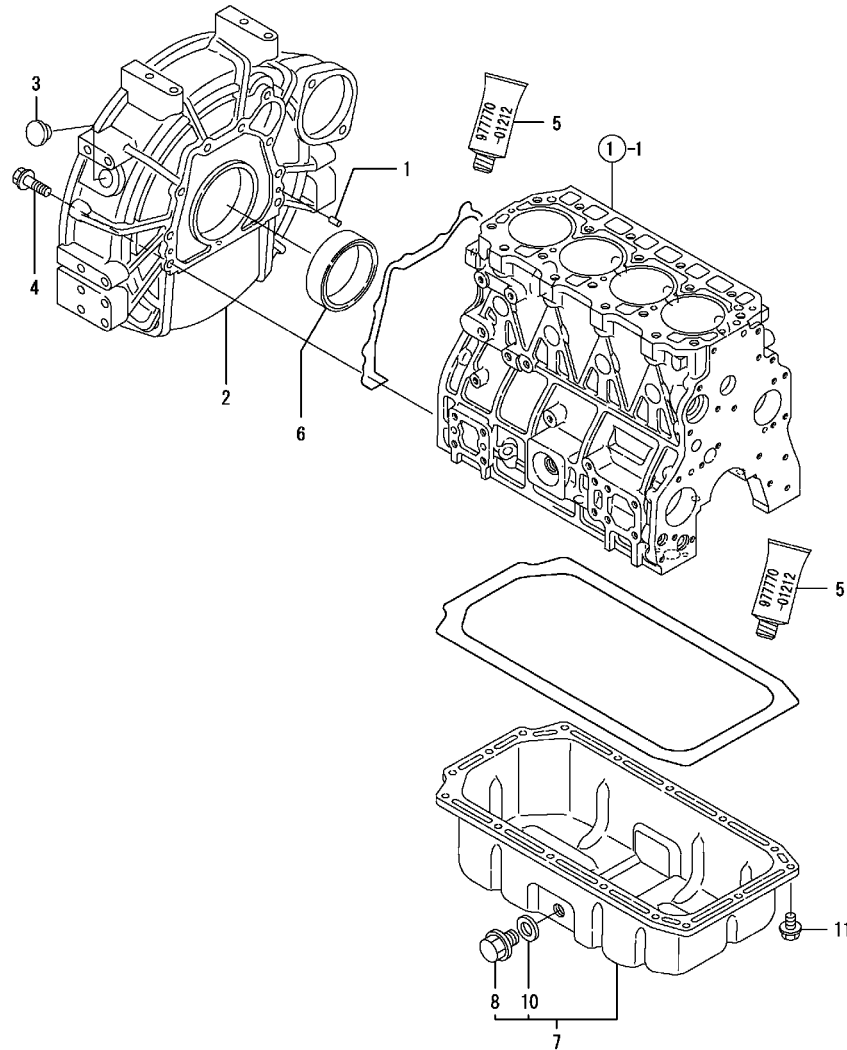
REF.	LEV.	PARTS NO.	DESCRIPTION	QTY						I	R	
				(A)	(B)	(C)	(D)	(E)	(F)			
1	1	129100-01580	PARALLEL PIN 8X16		2	2						
2	1	129955-01600	FLYWHEEL HOUSING		1							
3	1	129900-01620	COVER ASSY, FLYWHEEL			1						
6	1	26206-100702	BOLT M10X 70 PLATED		3	4						
7	1	124411-01780	SEAL HTC95,115,12		1	1						
8	1	129916-01710	PAN ASSY, LUB. OIL		1	1						
9	2	119640-01640	DRAIN PLUG M22		1	1						
11	2	22190-220002	SEAL WASHER 22S		1	1						
12	1	26106-080122	BOLT M 8X 12 PLATED		16	16						
13	1	977770-01212	GASKET, LIQUID		1	1						1
14	1	119620-01750	CAP, FLYWHEEL COVER		1	1						
15	1	26206-100352	BOLT M10X 35 PLATED		9	9						

Remarks
 (1) OPTIONAL PART.

(A)=4TNV98-NSA (D)=
 (B)=4TNV98-NSA2 (E)=
 (C)=4TNV98-GGE (F)=

Fig.5. FLYWHEEL HOUSING & OIL SUMP

4TNV98-GGE

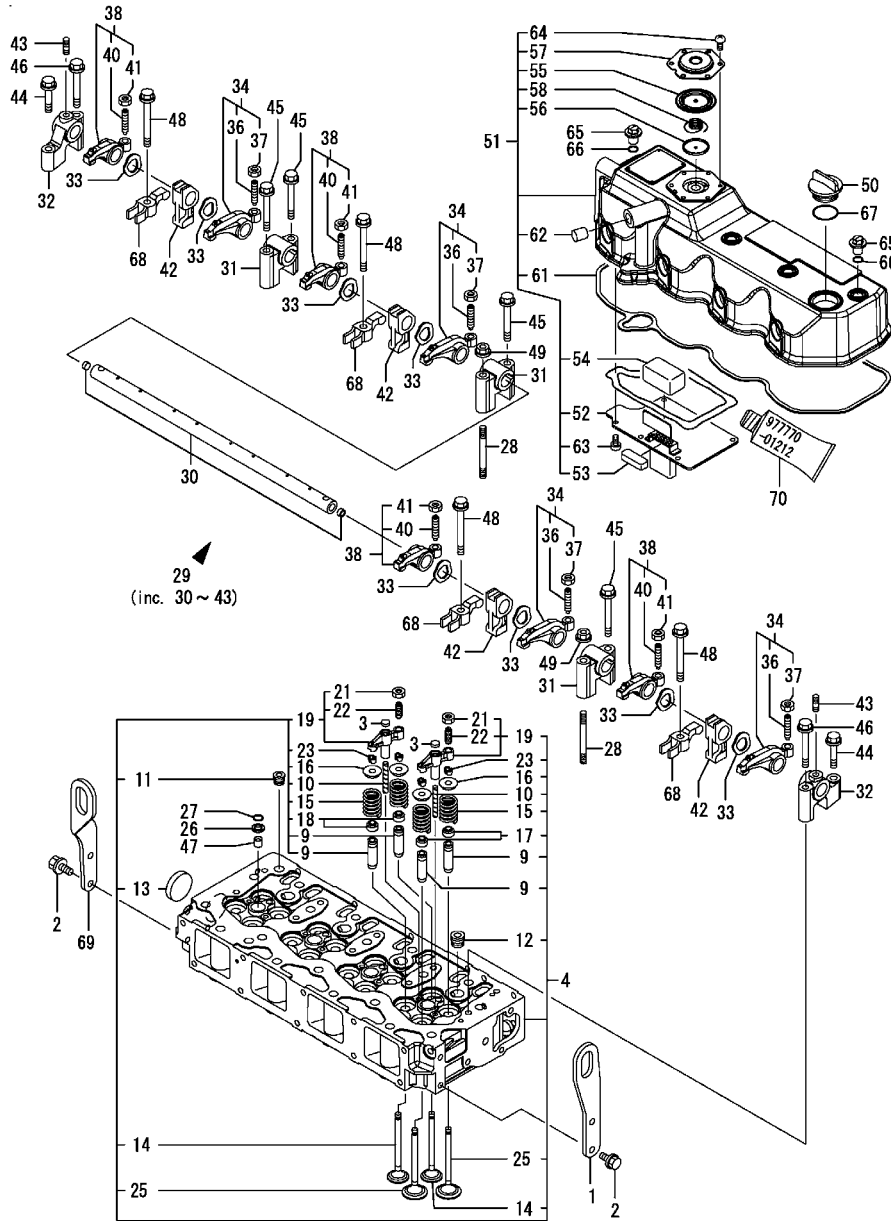


REF.	LEV.	PARTS NO.	DESCRIPTION	QTY						I	R	
				(A)	(B)	(C)	(D)	(E)	(F)			
1	1	129100-01580	PARALLEL PIN 8X16				2					
2	1	129915-01610	HOUSING				1					
3	1	119000-01840	PLUG 25,RUBBER				1					
4	1	26206-100352	BOLT M10X 35 PLATED				9					
5	1	977770-01212	GASKET, LIQUID				1					1
6	1	124411-01780	SEAL HTC95,115,12				1					
7	1	129982-01710	PAN ASSY, LUB. OIL				1					
8	2	119640-01640	DRAIN PLUG M22				1					
10	2	22190-220002	SEAL WASHER 22S				1					
11	1	26106-080122	BOLT M 8X 12 PLATED				16					

Remarks
 (1) OPTIONAL PART.

(A)=4TNV98-NSA (D)=
 (B)=4TNV98-NSA2 (E)=
 (C)=4TNV98-GGE (F)=

Fig.6. CYLINDER HEAD & BONNET



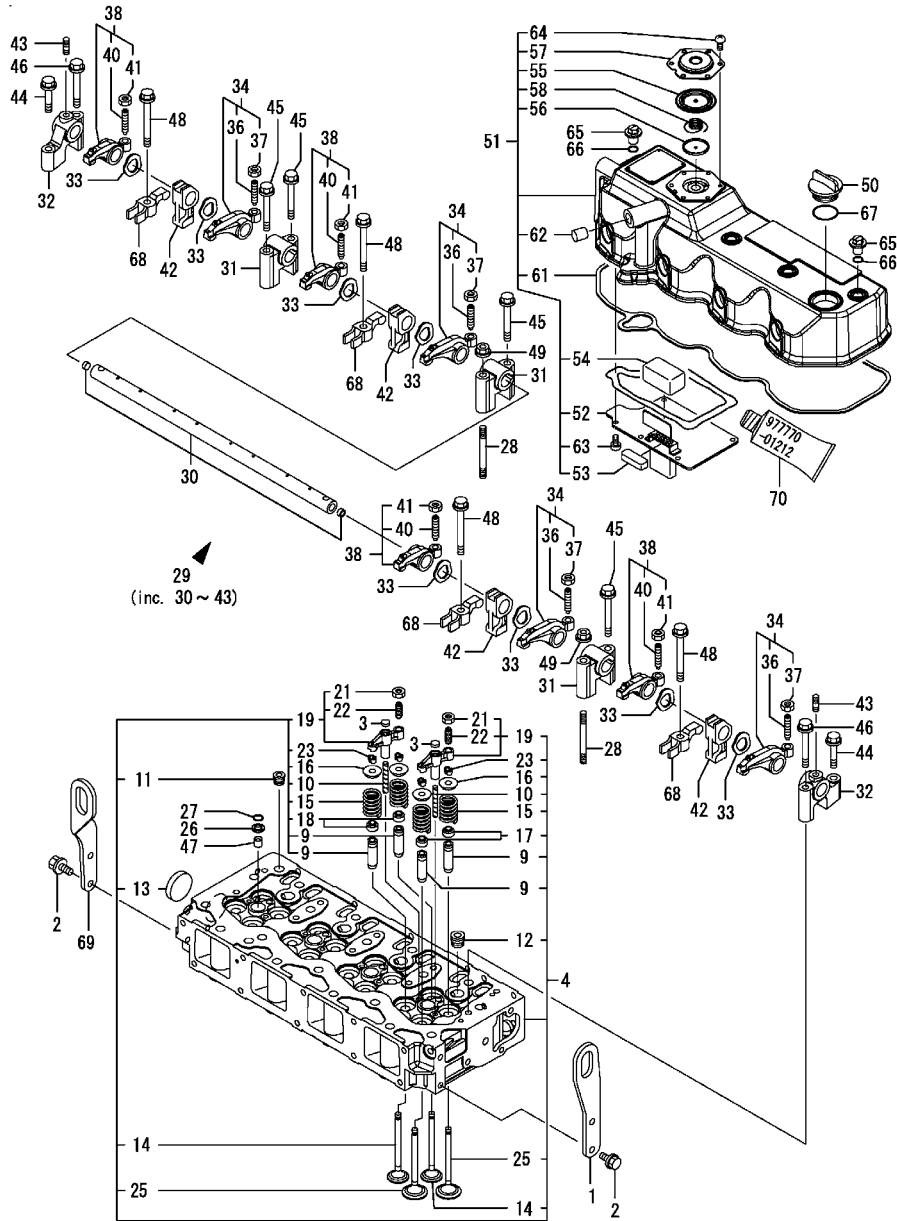
REF.	LEV.	PARTS NO.	DESCRIPTION	QTY						I	R
				(A)	(B)	(C)	(D)	(E)	(F)		
1	1	129907-07900	LIFTER, ENGINE	1	1	1					
2	1	26106-080162	BOLT M 8X 16 PLATED	4	4	4					
3	1	123907-11550	SEAT A, VALVE BRIDGE	8	8	8					
4	1	129907-11700	HEAD ASSY, CYLINDER	1	1	1					
9	2	129907-11800	GUIDE, VALVE	16	16	16					1
10	2	123907-11820	GUIDE, VALVE BRIDGE	8	8	8					
11	2	23876-020000	PLUG PT1/4, SCREW	1	1	1					
12	2	23876-030000	PLUG PT3/8, SCREW	4	4	4					
13	2	27241-400000	PLUG 40	1	1	1					
14	2	129907-11110	VALVE(EXH)	8	8	8					
15	2	129907-11120	VALVE SPRING	16	16	16					
16	2	119620-11180	RETAINER, SPRING	16	16	16					
17	2	124160-11340	SEAL, VALVE STEM	8	8	8					
18	2	124950-11340	SEAL, VALVE STEM	8	8	8					
19	2	129907-11510	BRIDGE ASSY, VALVE	8	8	8					
21	3	129150-11750	NUT M8XP1.0	8	8	8					
22	3	123907-11830	SCREW, VALVE BRIDGE	8	8	8					
23	2	27310-070001	COTTER ASSY	16	16	16					
25	2	129907-11100	VALVE(INT)	8	8	8					
26	1	119625-11880	SEAT, NOZZLE	4	4	4					
27	1	24311-000120	O-RING 1A P 12.0	4	4	4					
28	1	119593-11301	BOLT 8X80	2	2	2					
29	1	129907-11341	SUPPORT CMP	1	1	1					
30	2	129907-11250	SHAFT, ROCKER ARM	1	1	1					
31	2	129907-11260	SUPPORT A	3	3	3					
32	2	129907-11270	SUPPORT B	2	2	2					
33	2	123907-11280	WAVE WASHER	8	8	8					
34	2	129907-11650	ARM ASSY, ROCKER	4	4	4					
36	3	129150-11230	SCREW, VALVE	4	4	4					
37	3	129150-11750	NUT M8XP1.0	4	4	4					
38	2	129907-11660	ARM ASSY, ROCKER	4	4	4					
40	3	129150-11230	SCREW, VALVE	4	4	4					
41	3	129150-11750	NUT M8XP1.0	4	4	4					
42	2	129907-11920	PEDESTAL, RETAINER	4	4	4					
43	2	26226-080222	STUD M 8X 22 PLATED	2	2	2					
44	1	26106-080402	BOLT M 8X 40 PLATED	2	2	2					
45	1	26106-080602	BOLT M 8X 60 PLATED	4	4	4					
46	1	26106-080602	BOLT M 8X 60 PLATED	2	2	2					
47	1	119802-11870	PROTECTOR, NOZZLE	4	4	4					
48	1	129907-11950	FLANGE BOLT, RETAINER	4	4	4					
49	1	26306-080002	NUT	2	2	2					
50	1	124160-01751	COVER, FILLER	1	1	1					
51	1	129907-11320	BONNET ASSY	1	1	1					
52	2	129907-03010	BAFFLE PLATE	1	1	1					
53	2	129907-03060	BAFFLE	1	1	1					
54	2	129907-03070	BAFFLE	1	1	1					
55	2	123907-03100	DIAPHRAGM, BREATHER	1	1	1					
56	2	123907-03110	CENTER PLATE	1	1	1					
57	2	123907-03120	PLATE, BREATHER	1	1	1					
58	2	123907-03140	SPRING, DIAPHRAGM	1	1	1					
61	2	129907-11310	PACKING, BONNET	1	1	1					
62	2	119640-61400	PLUG	1	1	1					
63	2	22857-500100	SCREW 5X10, TAPPING	6	6	6					
64	2	22857-500100	SCREW 5X10, TAPPING	6	6	6					

++ CONTINUE ++

Remarks
 (1) REPAIR PART.
 (2) OPTIONAL PART.

(A)=4TNV98-NSA (D)=
 (B)=4TNV98-NSA2 (E)=
 (C)=4TNV98-GGE (F)=

Fig.6. CYLINDER HEAD & BONNET



REF.	LEV.	PARTS NO.	DESCRIPTION	QTY						I	R
				(A)	(B)	(C)	(D)	(E)	(F)		
65	1	124160-11360	KNOB	4	4	4					
66	1	24311-000120	O-RING 1A P 12.0	4	4	4					
67	1	24311-000320	O-RING 1A P-32.0	1	1	1					
68	1	129907-11910	RETAINER,F.I.VALVE	4	4	4					
69	1	129910-07900	LIFTER, ENGINE	1	1	1					
70	1	977770-01212	GASKET, LIQUID	1	1	1					2

Remarks
 (1) REPAIR PART.
 (2) OPTIONAL PART.

Fig.7. SUCTION MANIFOLD

Y00R5670 7. SUCTION MANIFOLD

(A)=4TNV98-NSA (D)=
 (B)=4TNV98-NSA2 (E)=
 (C)=4TNV98-GGE (F)=

REF.	LEV.	PARTS NO.	DESCRIPTION	QTY						I	R
				(A)	(B)	(C)	(D)	(E)	(F)		
1	1	129944-12110	INTAKE MANIFOLD	1	1	1					
2	1	129907-12110	PACKING(INT.MANIFOLD	1	1	1					
3	1	26106-080452	BOLT M 8X 45 PLATED	8	8	8					
4	1	26106-080802	BOLT M 8X 80 PLATED	2	2	2					
5	1	121850-77021	GASKET, (NON-ASB.)	1	1	1					
6	1	129915-77050	AIR HEATER	1	1	1					
7	1	26106-080352	BOLT M 8X 35 PLATED	4	4	4					

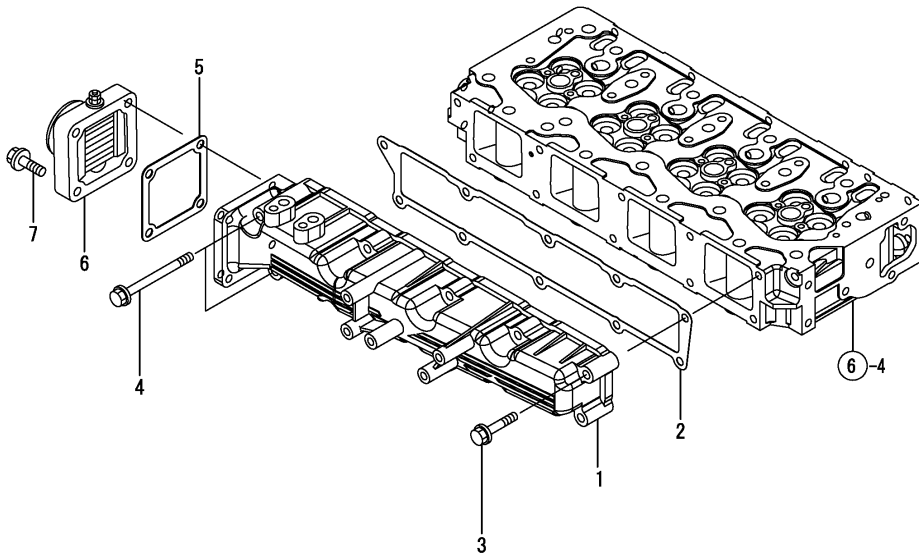
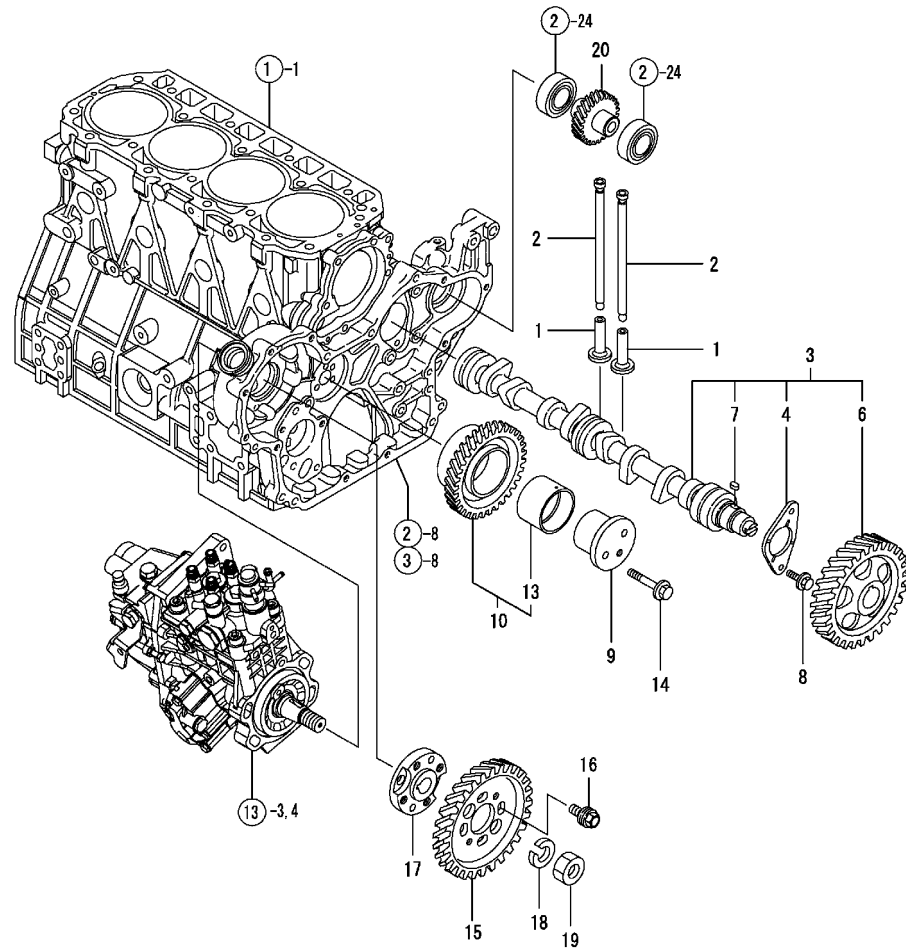


Fig.9. CAMSHAFT & DRIVING GEAR

(A)=4TNV98-NSA (D)=
 (B)=4TNV98-NSA2 (E)=
 (C)=4TNV98-GGE (F)=

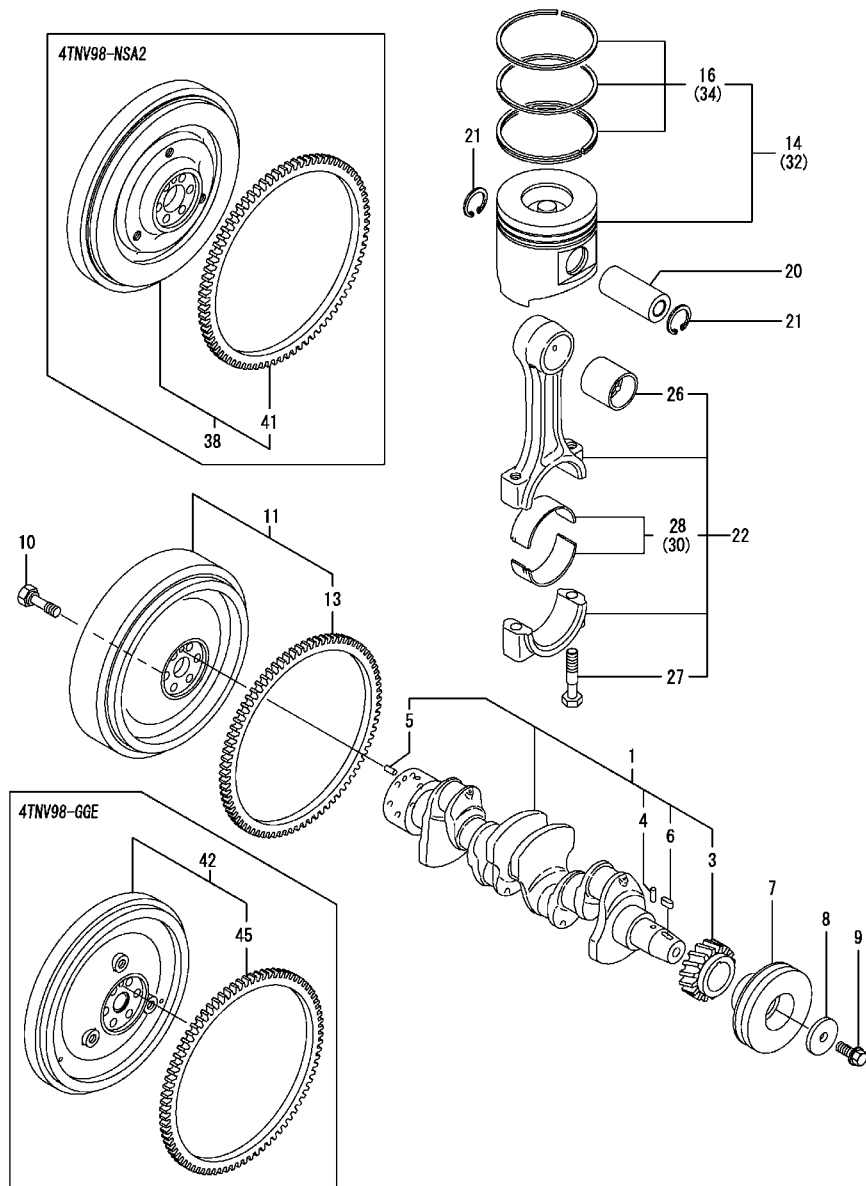


REF.	LEV.	PARTS NO.	DESCRIPTION	QTY						I	R	
				(A)	(B)	(C)	(D)	(E)	(F)			
1	1	129150-14200	TAPPET	8	8	8						
2	1	129907-14400	PUSH ROD	8	8	8						
3	1	129907-14581	CAMSHFT ASSY	1	1	1						
4	2	129150-02450	METAL,THRUST(CAM	1	1	1						
6	2	129900-14100	GEAR, CAMSHAFT	1	1	1						
7	2	22512-070140	KEY 7X 14	1	1	1						
8	1	26106-080162	BOLT M 8X 16 PLATED	2	2	2						
9	1	123900-25060	SHAFT(GEAR, IDLE	1	1	1						
10	1	129900-25100	GEAR ASSY, IDLE	1	1	1						
13	2	129150-25920	BUSH, IDLE GEAR	1	1	1						1
14	1	26106-080552	BOLT M 8X 55 PLATED	3	3	3						
15	1	123907-25909	GEAR, F.I.PUMP	1	1	1						
16	1	129953-25300	BOLT	4	4	4						
17	1	158563-51150	FLANGE	1	1	1						
18	1	22217-180000	SPRING WASHER 18	1	1	1						
19	1	26776-180002	NUT M18, LOCK	1	1	1						
20	1	129980-26200	GEAR, H.O. PUMP	1	1	1						

Remarks
 (1) REPAIR PART.

Fig.10. CRANKSHAFT & PISTON

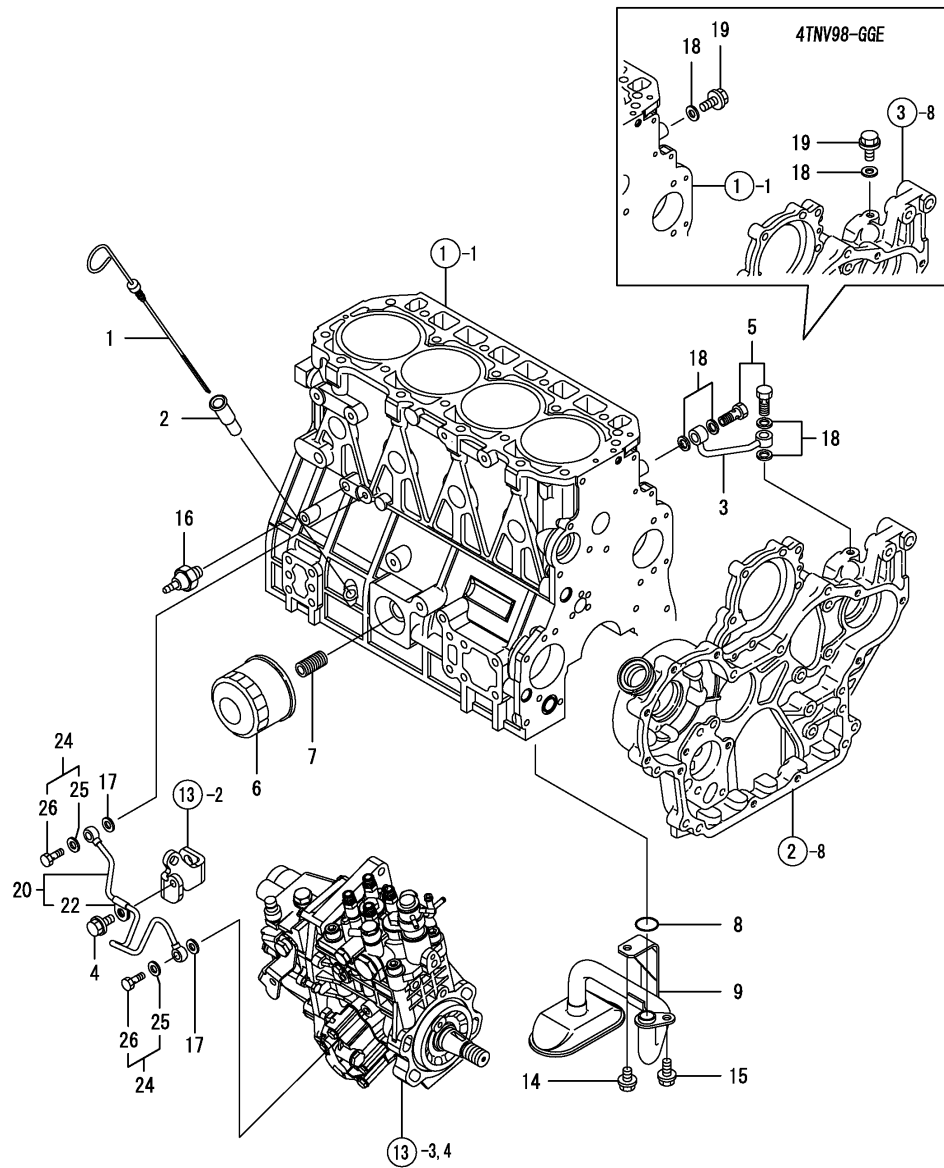
(A)=4TNV98-NSA (D)=
 (B)=4TNV98-NSA2 (E)=
 (C)=4TNV98-GGE (F)=



REF.	LEV.	PARTS NO.	DESCRIPTION	QTY						I	R
				(A)	(B)	(C)	(D)	(E)	(F)		
1	1	129902-21000	CRANKSHAFT COMP	1	1	1					
3	2	129900-21200	GEAR, CRANKSHAFT	1	1	1					
4	2	121850-21290	PARALLEL PIN	1	1	1					
5	2	121850-21920	PARALLEL PIN 10X22	1	1	1					
6	2	22512-070140	KEY 7X 14	1	1	1					
7	1	129907-21660	V-PULLEY,CRANKSHAFT	1	1	1					
8	1	129900-21640	WASHER	1	1	1					
9	1	121850-21680	BOLT, V-PULLEY	1	1	1					
10	1	121850-21130	BOLT, FLYWHEEL	6	6	6					
11	1	129955-21590	FLYWHEEL ASSY	1							
13	2	129900-21600	GEAR, RING	1							
14	1	129907-22090	PISTON W/RING	4	4	4					
16	2	129907-22050	RING SET, PISTON	4	4	4					
20	1	120130-22301	PIN, PISTON	4	4	4					
21	1	22252-000300	CIRCLIP 30	8	8	8					
22	1	129900-23000	ROD ASSY, CONNECTING	4	4	4					
26	2	129900-23910	BUSH, PISTON PIN	4	4	4					1
27	2	129900-23200	BOLT, ROD	8	8	8					
28	2	129900-23600	METAL ASSY, CRANKPIN	4	4	4					
30	1	129900-23610	BEARING,PIN U.S=0.25	4	4	4					2
32	1	729907-22910	PISTON W/RING O.S=25	4	4	4					3
34	2	729907-22950	RING SET O.S=0.25	4	4	4					3
38	1	129953-21570	FLYWHEEL ASSY		1						
41	2	129900-21600	GEAR, RING		1						
42	1	129920-21580	FLYWHEEL						1		
45	2	127410-21480	RING GEAR Z=129						1		

Remarks
 (1) REPAIR PART.
 (2) UNDER-SIZE(U.S=0.25)PART.
 (3) OVER-SIZE(O.S=0.25)PART.

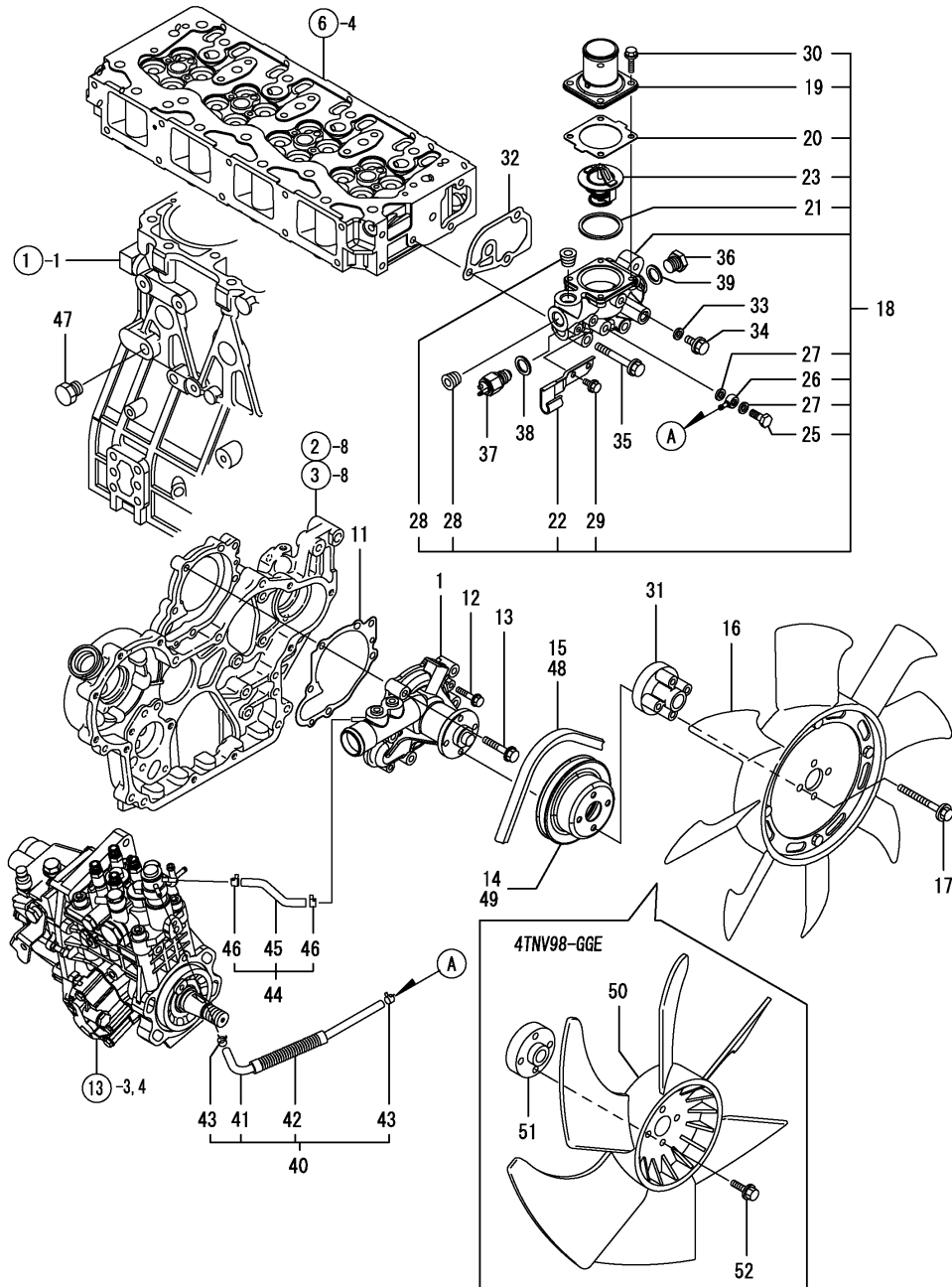
Fig.11. LUB.OIL SYSTEM



(A)=4TNV98-NSA (D)=
 (B)=4TNV98-NSA2 (E)=
 (C)=4TNV98-GGE (F)=

REF.	LEV.	PARTS NO.	DESCRIPTION	QTY						
				(A)	(B)	(C)	(D)	(E)	(F)	
1	1	129953-34830	DIPSTICK, LUB.OIL	1	1	1				
2	1	121520-34810	GUIDE, DIPSTICK	1	1	1				
3	1	129930-39050	PIPE	1	1					
4	1	26106-080122	BOLT M 8X 12 PLATED	1	1	1				
5	1	105010-39140	BOLT, PIPE JOINT	2	2					
6	1	129150-35152	FILTER 80X80L	1	1	1				
7	1	119000-35140	STUD, LUB.OIL FILTER	1	1	1				
8	1	129900-32030	O-RING P20	1	1	1				
9	1	129953-35000	PIPE ASY,L.OIL INLET	1	1	1				
14	1	26106-080122	BOLT M 8X 12 PLATED	1	1	1				
15	1	26106-080162	BOLT M 8X 16 PLATED	1	1	1				
16	1	114250-39450	SWITCH,(0.5KG)L.O.	1	1	1				
17	1	22190-080002	SEAL WASHER 8S	2	2	2				
18	1	22190-080002	SEAL WASHER 8S	4	4	2				
19	1	26106-080122	BOLT M 8X 12 PLATED			2				
20	1	129907-39061	PIPE ASSY, LUB. OIL	1	1	1				
22	2	123907-39500	SUPPORT,PIPE	1	1	1				
24	1	129005-59830	BOLT ASSY, JOINT	2	2	2				
25	2	22190-080002	SEAL WASHER 8S	2	2	2				
26	2	23857-030000	JOINT BOLT 3	2	2	2				

Fig.12. COOLING WATER SYSTEM

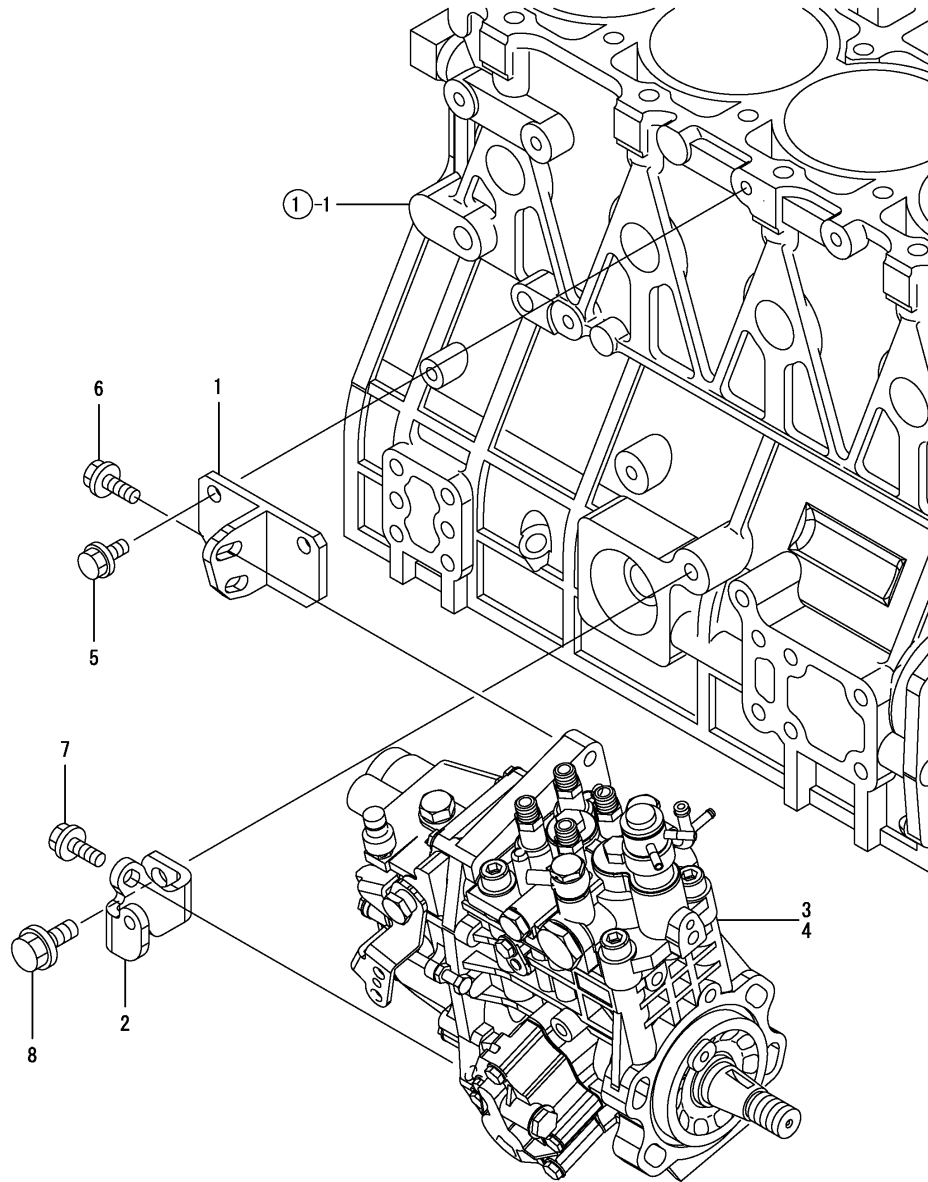


(A)=4TNV98-NSA (D)=
 (B)=4TNV98-NSA2 (E)=
 (C)=4TNV98-GGE (F)=

REF.	LEV.	PARTS NO.	DESCRIPTION	QTY					
				(A)	(B)	(C)	(D)	(E)	(F)
1	1	129907-42000	PUMP ASSY, WATER	1	1	1			
11	1	129900-42020	GASKET, CW-P	1	1	1			
12	1	26106-060302	BOLT M 6X 30 PLATED	2	2	2			
13	1	26106-080552	BOLT M 8X 55 PLATED	5	5	5			
14	1	129900-42450	PULLEY	1	1	1			
15	1	25132-004150	V-BELT A41.5	1	1				
16	1	129920-44740	FAN, COOLING	1	1				
17	1	26106-080552	BOLT M 8X 55 PLATED	4	4				
18	1	129907-49800	CASE ASSY, THERMOSTAT	1	1	1			
19	2	129916-49530	COVER, THERMOSTAT	1	1	1			
20	2	121850-49540	GASKET, THERMOSTAT	1	1	1			
21	2	121850-49550	GASKET, THERMOSTAT	1	1	1			
22	2	129907-49730	PIPE ASSY, INJECTION	1	1	1			
23	2	121850-49810	THERMOSTAT	1	1	1			
25	2	105582-59150	BOLT, PIPE JOINT	1	1	1			
26	2	23387-040800	JOINT 4- 8	1	1	1			
27	2	23414-080000	GASKET 8, ROUND	2	2	2			
28	2	23875-030000	PLUG PT3/8, STEEL	2	2	2			
29	2	26106-060122	BOLT M 6X 12 PLATED	2	2	2			
30	2	26106-060202	BOLT M 6X 20 PLATED	4	4	4			
31	1	119141-44760	SPACER, FAN	1	1				
32	1	129900-49870	GASKET, CASE	1	1	1			
33	1	23414-080000	GASKET 8, ROUND	1	1	1			
34	1	26106-080122	BOLT M 8X 12 PLATED	1	1	1			
35	1	26106-080602	BOLT M 8X 60 PLATED	3	3	3			
36	1	121450-42450	PLUG M16	1	1	1			
37	1	121250-44901	SWITCH, THERMO(110 C	1	1	1			
38	1	124465-44950	GASKET 16	1	1	1			
39	1	124465-44950	GASKET 16	1	1	1			
40	1	129907-49610	HOSE A ASSY, WATER	1	1	1			
41	2	129907-49710	PIPE A, COOLING WATER	1	1	1			
42	2	129907-49750	PROTECTOR, PIPE 10.7	1	1	1			
43	2	124722-59050	CLAMP 9	2	2	2			
44	1	129907-49620	HOSE B ASSY, WATER	1	1	1			
45	2	129907-49720	PIPE B, COOLING WATER	1	1	1			
46	2	124722-59050	CLAMP 9	2	2	2			
47	1	171056-49120	PLUG, DRAIN	1	1	1			
48	1	129052-42290	V-BELT			1			
49	1	129900-42461	PULLEY			1			
50	1	129916-44740	FAN			1			
51	1	119130-44760	SPACER, FAN			1			
52	1	26106-080302	BOLT M 8X 30 PLATED			4			

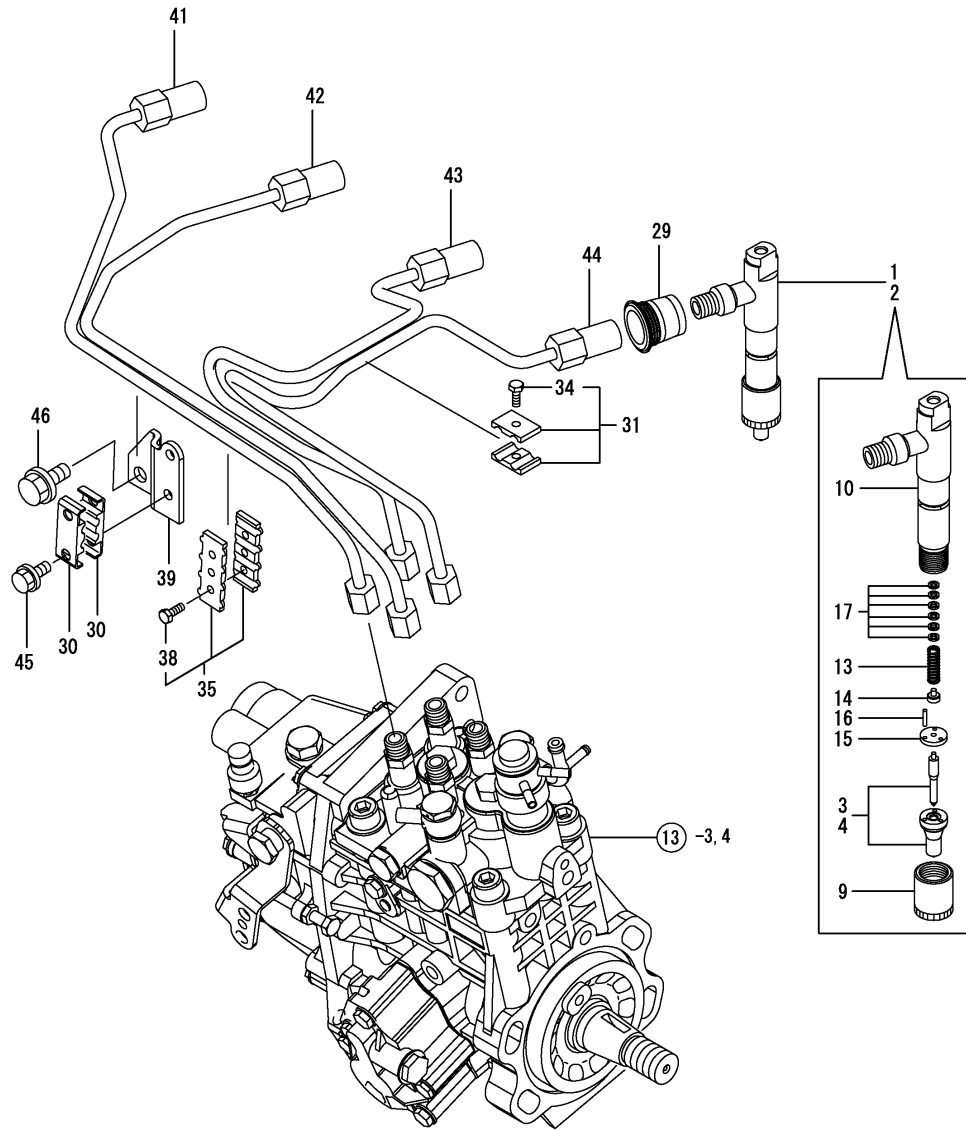
Fig.13. FUEL INJECTION PUMP

(A)=4TNV98-NSA (D)=
 (B)=4TNV98-NSA2 (E)=
 (C)=4TNV98-GGE (F)=



REF.	LEV.	PARTS NO.	DESCRIPTION	QTY						I	R
				(A)	(B)	(C)	(D)	(E)	(F)		
1	1	129907-01950	RETAINER,MP4	1	1	1					
2	1	129907-01960	RETAINER,MP4	1	1	1					
3	1	729907-51320	INJECTON PUMP ASSY	1	1						
4	1	729946-51390	INJECTION PUMP ASSY						1		
5	1	26106-080162	BOLT M 8X 16 PLATED	2	2	2					
6	1	26106-080222	BOLT M 8X 22 PLATED	2	2	2					
7	1	26106-080222	BOLT M 8X 22 PLATED	1	1	1					
8	1	26106-100202	BOLT M10X 20 PLATED	1	1	1					

Fig.14. FUEL INJECTION VALVE

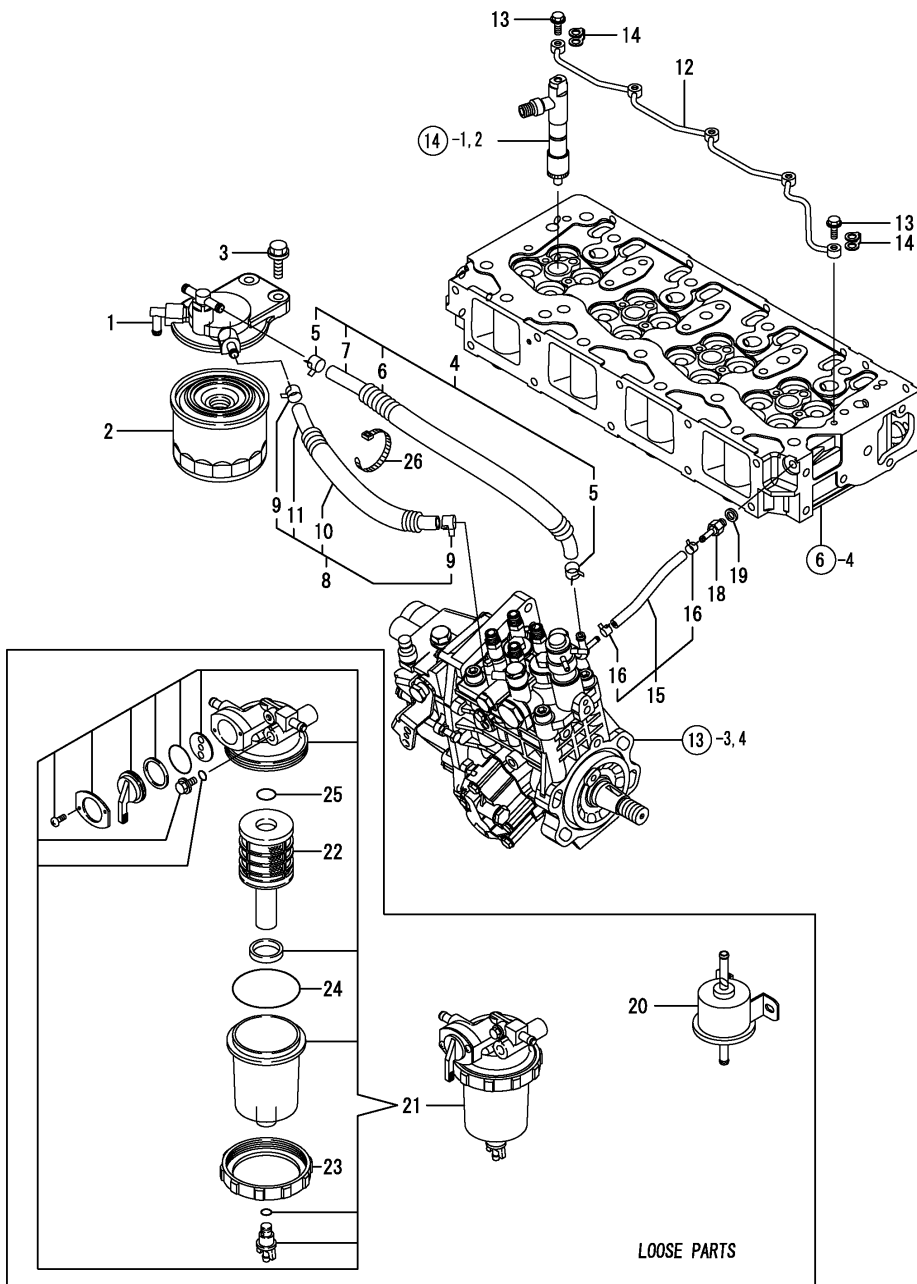


(A)=4TNV98-NSA (D)=
 (B)=4TNV98-NSA2 (E)=
 (C)=4TNV98-GGE (F)=

REF.	LEV.	PARTS NO.	DESCRIPTION	QTY						
				(A)	(B)	(C)	(D)	(E)	(F)	
1	1	729907-53100	VALVE ASSY, F.INJECT	4	4					
2	1	729946-53300	FUEL INJECTOR(VCF				4			
3	2	129907-53000	NOZZLE ASSY	4	4					
4	2	129937-53000	NOZZLE ASSY				4			
9	2	114250-53080	NUT, NOZZLE CASE	4	4	4				
10	2	129907-53100	HOLDER ASSY, NOZZLE	4	4	4				
13	2	114250-53120	SPRING, NOZZLE	4	4	4				
14	2	114250-53130	SEAT, NOZZLE SPRING	4	4	4				
15	2	114250-53140	PLATE, STOP	4	4	4				
16	2	114250-53210	PIN	8	8	8				
17	2	114250-53400	SHIM PACK	4	4	4				
29	1	123907-11601	PIPE SEAL	4	4	4				
30	1	122780-59100	RETAINER	2	2	2				
31	1	119305-59120	RETAINER	1	1	1				
34	2	129150-59131	BOLT M4X14,HEX.SCKT.	1	1	1				
35	1	129550-59120	RETAINER	1	1	1				
38	2	129150-59131	BOLT M4X14,HEX.SCKT.	2	2	2				
39	1	129907-59710	PIPE ASSY, INJECTION	1	1	1				
41	1	129907-59810	PIPE ASSY, INJECTION	1	1	1				
42	1	129907-59820	PIPE ASSY, INJECTION	1	1	1				
43	1	129907-59830	PIPE ASSY, INJECTION	1	1	1				
44	1	129907-59840	PIPE ASSY, INJECTION	1	1	1				
45	1	26106-060162	BOLT M 6X 16 PLATED	2	2	2				
46	1	26106-080182	BOLT M 8X 18 PLATED	1	1	1				

Fig.15. FUEL LINE

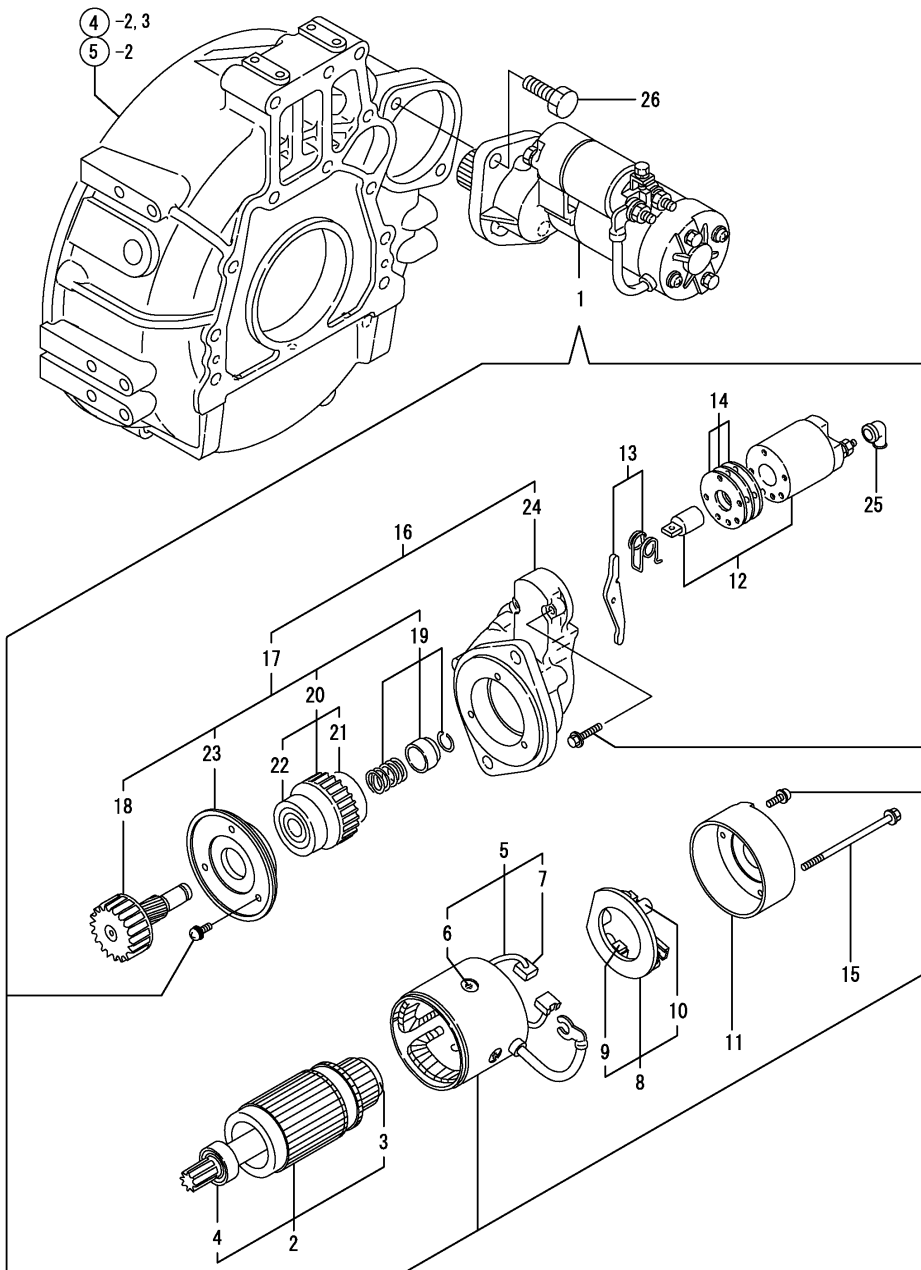
(A)=4TNV98-NSA (D)=
 (B)=4TNV98-NSA2 (E)=
 (C)=4TNV98-GGE (F)=



REF.	LEV.	PARTS NO.	DESCRIPTION	QTY						I	R
				(A)	(B)	(C)	(D)	(E)	(F)		
1	1	129004-55610	BRACKET, FILTER	1	1	1					
2	1	119802-55800	FILTER, FUEL	1	1	1					
3	1	26106-080302	BOLT M 8X 30 PLATED	2	2	2					
4	1	129457-59010	PIPE ASSY, FUEL	1	1	1					
5	2	124766-59050	CLAMP 12	2	2	2					
6	2	129957-59120	PROTECTOR, FUEL PIPE	1	1	1					
7	2	105025-59750	PIPE, FUEL OIL	1	1	1					
8	1	129981-59010	PIPE ASSY, FUEL	1	1	1					
9	2	124766-59050	CLAMP 12	2	2	2					
10	2	129950-59221	TUBE	1	1	1					
11	2	129980-59510	PIPE, FUEL OIL	1	1	1					
12	1	129907-59140	PIPE ASSY, F.O. RETURN	1	1	1					
13	1	123907-59540	JOINT BOLT M6	5	5	5					
14	1	123907-59550	PACKING, FUEL RETURN	5	5	5					
15	1	129486-59551	PIPE, FUEL RETURN	1	1	1					
16	2	124722-59050	CLAMP 9	2	2	2					
18	1	123907-59560	HOSE JOINT 4	1	1	1					
19	1	22190-080002	SEAL WASHER 8S	1	1	1					
20	1	119225-52102	PUMP ASSY, FUEL FEED	1	1	1					
21	1	119802-55700	SEPARATOR ASSY	1	1	1					
22	2	119802-55710	ELEMENT	1	1	1					
23	2	129100-55690	RING, RETAINING	1	1	1					
24	2	24321-000650	O-RING 1A G-65.0	1	1	1					
25	2	24311-000160	O-RING 1A P-16.0	1	1	1					
26	1	121750-59890	CLAMP 140	1	1	1					

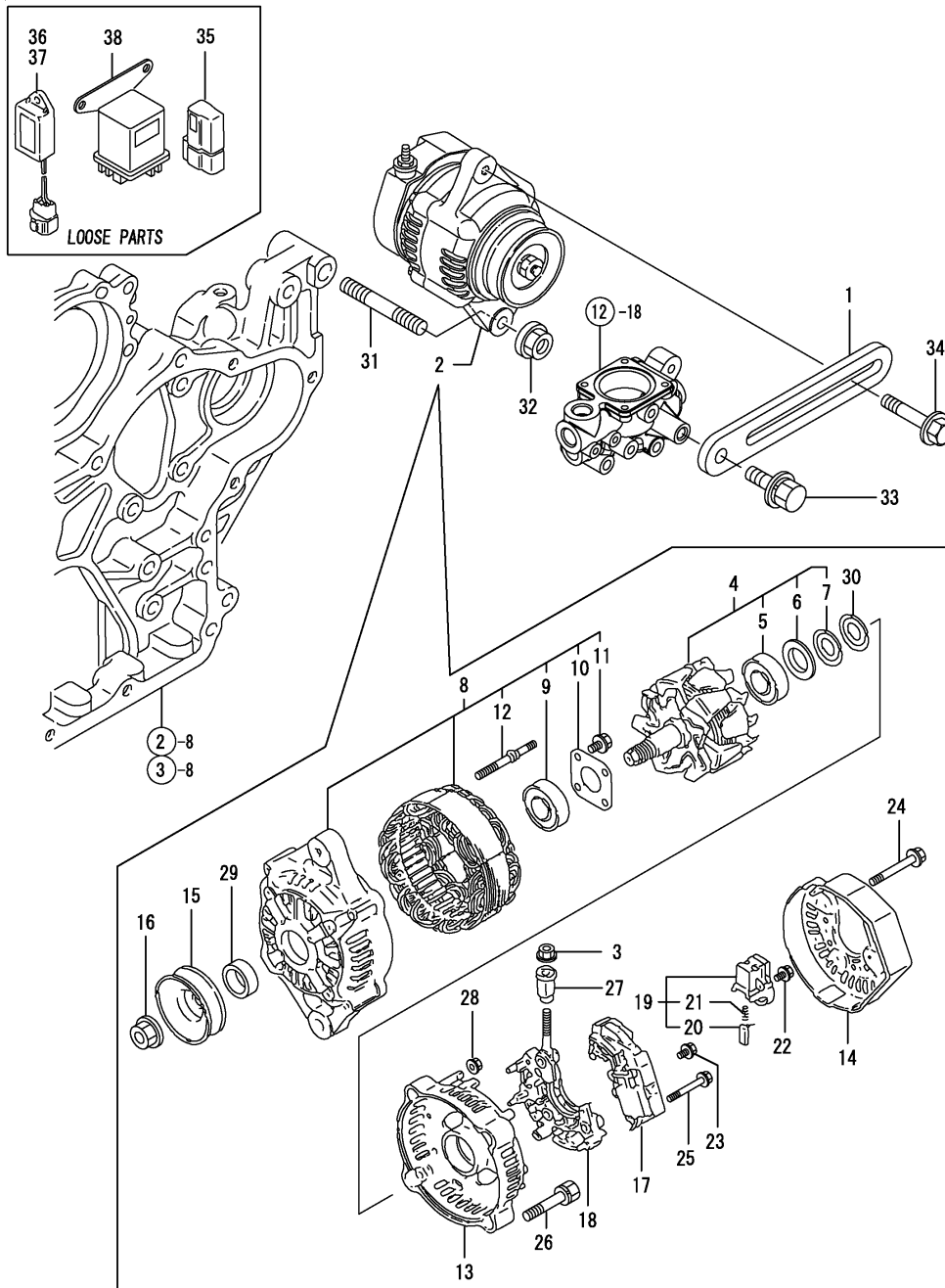
Fig.16. STARTING MOTOR

(A)=4TNV98-NSA (D)=
 (B)=4TNV98-NSA2 (E)=
 (C)=4TNV98-GGE (F)=



REF.	LEV.	PARTS NO.	DESCRIPTION	QTY						I	R
				(A)	(B)	(C)	(D)	(E)	(F)		
1	1	129900-77010	STARTER(2.3KW	1	1	1					
2	2	129900-77400	ARMATURE ASSY	1	1	1					
3	3	X2114155110	BALL BEARING	1	1	1					
4	3	X2114255110	BALL BEARING	1	1	1					
5	2	129900-77440	COIL ASSY, FIELD	1	1	1					
6	3	171008-77450	SCREW, POLE CORE SET	4	4	4					
7	3	129900-77450	BRUSH (+)	2	2	2					
8	2	129900-77480	HOLDER ASSY, BRASH	1	1	1					
9	3	129900-77450	BRUSH (+)	2	2	2					
10	3	X2130631300	BRUSH SPRING	4	4	4					
11	2	129900-77460	COVER, REAR	1	1	1					
12	2	129900-77591	SWITCH ASSY,MAGNETIC	1	1	1					
13	2	129900-77620	SHIFT LEVER SET	1	1	1					
14	2	129900-77650	COVER ASSY, DUST	1	1	1					
15	2	129900-77640	BOLT, THROUGH	2	2	2					
16	2	129900-77700	GEAR CASE ASY	1	1	1					
17	3	129900-77510	PINION ASSY	1	1	1					
18	4	129900-77540	SHAFT, PINION	1	1	1					
19	4	129900-77550	STOPPER SET	1	1	1					
20	4	129900-77520	CLUTCH ASSY	1	1	1					
21	4	171008-77730	BALL BEARING (3)	1	1	1					
22	4	171008-77740	BALL BEARING (4)	1	1	1					
23	4	129900-77610	RETAINER, BEARING	1	1	1					
24	3	129900-77710	HOUSING, GEARS	1	1	1					
25	2	171008-77750	COVER, M TERMINAL	1	1	1					
26	1	26116-120302	BOLT M12X 30 PLATED	2	2	2					

Fig.17. GENERATOR

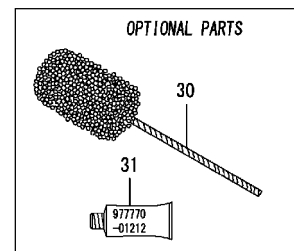
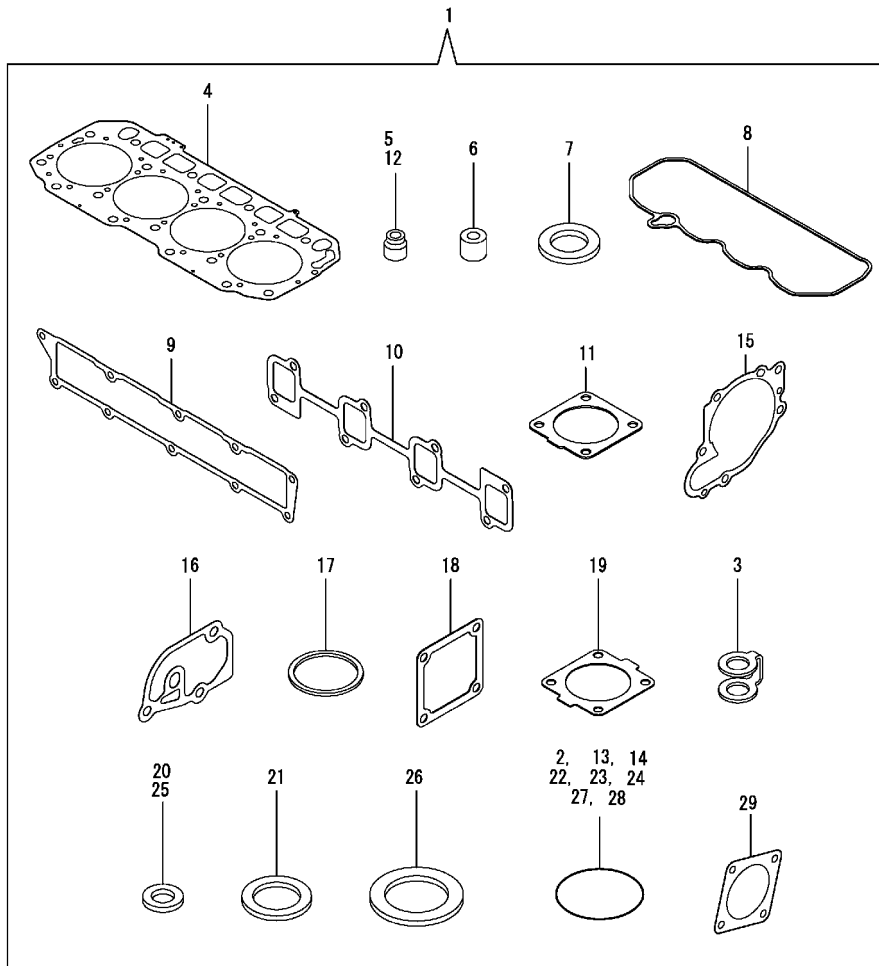


(A)=4TNV98-NSA (D)=
 (B)=4TNV98-NSA2 (E)=
 (C)=4TNV98-GGE (F)=

REF.	LEV.	PARTS NO.	DESCRIPTION	QTY						
				(A)	(B)	(C)	(D)	(E)	(F)	
1	1	129900-77330	AJUSTER, BELT	1	1	1				
2	1	129423-77200	GENERATOR	1	1	1				
3	2	X9490561001	NUT	1	1	1				
4	2	119620-77380	ROTOR ASSY	1	1	1				
5	3	119620-79240	BALL BEARING	1	1	1				
6	3	119620-79250	COVER, BEARING	1	1	1				
7	3	119620-79360	THRUST WASHER	1	1	1				
8	2	119620-77421	FLAME ASSY, DRIVE	1	1	1				
9	3	119620-79200	BALL BEARING	1	1	1				
10	3	119620-79210	PLATE	1	1	1				
11	3	119620-79220	SCREW	4	4	4				
12	3	119620-79230	BOLT, STUD	2	2	2				
13	2	119620-77440	FLAME ASSY, REAR	1	1	1				
14	2	129423-77450	COVER	1	1	1				
15	2	119620-77461	PULLEY	1	1	1				
16	2	119620-77471	NUT	1	1	1				
17	2	129423-77710	REGULATOR ASSY	1	1	1				
18	2	119620-79260	HOLDER	1	1	1				
19	2	119620-79270	HOLDER, BRUSH	1	1	1				
20	3	119620-77480	BRUSH ASSY	2	2	2				
21	3	119620-79280	SPRING	2	2	2				
22	2	119620-79290	SCREW	1	1	1				
23	2	119620-79300	SCREW	1	1	1				
24	2	119620-79310	BOLT	3	3	3				
25	2	119620-79320	SCREW W/WASHER	2	2	2				
26	2	119620-79330	BOLT	2	2	2				
27	2	119620-79340	INSULATION BUSH	1	1	1				
28	2	119620-79350	NUT	2	2	2				
29	2	119620-77490	COLLAR	1	1	1				
30	2	119620-79360	THRUST WASHER	1	1	1				
31	1	129795-01900	STUD	1	1	1				
32	1	26306-100002	NUT	1	1	1				
33	1	26014-080252	BOLT M 8X 25	1	1	1				
34	1	119810-77340	BOLT	1	1	1				
35	1	119643-66900	DIODE	1	1	1				
36	1	128300-77920	TIMER	1	1	1				
37	1	129211-77920	TIMER	1	1	1				
38	1	119650-77910	RELAY, GROW	1	1	1				

Fig.18. GASKET SET

(A)=4TNV98-NSA (D)=
 (B)=4TNV98-NSA2 (E)=
 (C)=4TNV98-GGE (F)=



REF.	LEV.	PARTS NO.	DESCRIPTION	QTY						I	R
				(A)	(B)	(C)	(D)	(E)	(F)		
1	1	729907-92760	GASKET SET(NON-ASB.)	1	1	1					1
2	2	24341-000240	O-RING 1A S-24.0	1	1	1					
3	2	123907-59550	PACKING,FUEL RETURN	5	5	5					
4	2	129907-01331	GASKET,CYLINDER HEAD	1	1	1					
5	2	124160-11340	SEAL, VALVE STEM	8	8	8					
6	2	119802-11870	PROTECTOR, NOZZLE	4	4	4					
7	2	119625-11880	SEAT, NOZZLE	4	4	4					
8	2	129907-11310	PACKING,BONNET	1	1	1					
9	2	129907-12110	PACKING(INT.MANIFOLD)	1	1	1					
10	2	129900-13251	GASKET	1	1	1					
11	2	129930-13200	GASKET, SILENCER	1	1	1					
12	2	124950-11340	SEAL, VALVE STEM	8	8	8					
13	2	129900-32030	O-RING P20	2	2	2					
14	2	129900-32040	O-RING P14	1	1	1					
15	2	129900-42020	GASKET, CW-P	1	1	1					
16	2	129900-49870	GASKET, CASE	1	1	1					
17	2	121850-49550	GASKET, THERMOSTAT	1	1	1					
18	2	121850-77021	GASKET, (NON-ASB.)	1	1	1					
19	2	121850-49540	GASKET, THERMOSTAT	1	1	1					
20	2	23414-080000	GASKET 8, ROUND	3	3	3					
21	2	124465-44950	GASKET 16	2	2	2					
22	2	24311-000070	O-RING 1A P-7.0	1	1	1					
23	2	24311-000120	O-RING 1A P 12.0	8	8	8					
24	2	24311-000320	O-RING 1A P-32.0	2	2	2					
25	2	22190-080002	SEAL WASHER 8S	7	7	7					
26	2	22190-220002	SEAL WASHER 22S	1	1	1					
27	2	24351-030750	PACKING, 3075	1	1	1					
28	2	24321-000850	O-RING 1A G-85.0	1	1	1					
29	2	124240-01883	GASKET, (NON-ASB.)	1	1	1					
30	1	129400-92450	FLEX HONE	1	1	1					1
31	1	977770-01212	GASKET, LIQUID	1	1	1					1

Remarks
 (1) OPTIONAL PART.

OPTIONAL KIT

Model : 4TNV98-GGE

Fig.1. ENGINE FOOT

(A)=4TNV98-GGE (D)=4TNV98T-NSA
 (B)=4TNV98-NSA (E)=
 (C)=4TNV98T-GGE (F)=

REF.	LEV.	PARTS NO.	DESCRIPTION	Q'TY						I	R
				(A)	(B)	(C)	(D)	(E)	(F)		
1	1	129981-08030	MOUNTING FOOT(FW	2	2	2	2				
2	1	129981-08040	MOUNTING FOOT(GC	2	2	2	2				
3	1	26106-100202	BOLT M10X 20 PLATED	8	8	8	8				
4	1	26106-100202	BOLT M10X 20 PLATED	8	8	8	8				

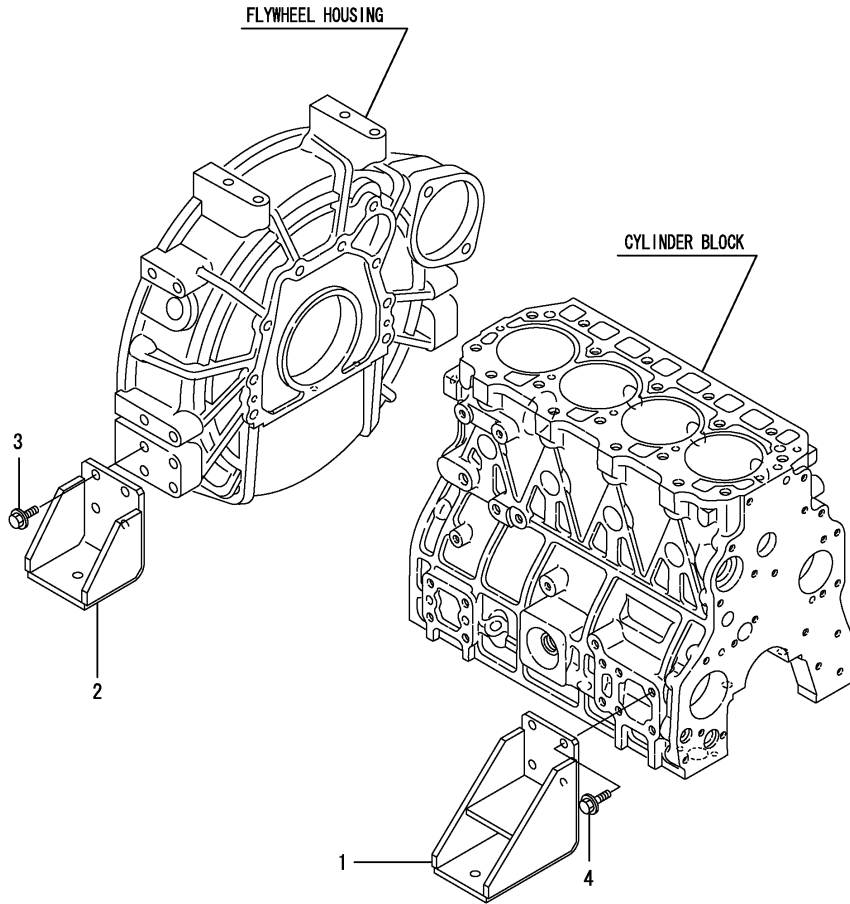


Fig.2. AIR CLEANER

(A)=4TNV98-GGE (D)=4TNV98T-NSA
 (B)=4TNV98-NSA (E)=
 (C)=4TNV98T-GGE (F)=

REF.	LEV.	PARTS NO.	DESCRIPTION	Q'TY						I R
				(A)	(B)	(C)	(D)	(E)	(F)	
1	1	129944-12230	HOSE, AIR INTAKE	1	1					
2	1	129935-12070	HOSE, AIR INTAKE							
3	1	129933-12500	CLEANER ASSY, AIR	1	1	1	1			
4	2	129935-12520	ELEMENT, OUTER	1	1	1	1			
5	2	119160-12530	COVER-ASSY	1	1	1	1			
6	2	119160-12540	VALVE	1	1	1	1			
7	2	121820-12590	NIPPLE	1	1	1	1			
8	1	129944-12620	BRACKET, AIR CLEANER	1	1	1	1			
9	1	119129-77020	GASKET	1	1					
10	1	121850-77021	GASKET, (NON-ASB.)	1	1					
11	1	119005-77050	HEATER, AIR	1	1					
12	1	119129-77520	BEND	1	1					
13	1	26106-080402	BOLT M 8X 40 PLATED	2	2					
14	1	26106-080902	BOLT M 8X 90 PLATED	2	2					
15	1	26106-080202	BOLT M 8X 20 PLATED	2	2	2	2			
16	1	26013-080222	BOLT M 8X 22	4	4	4	4			



Fig.3. EXHAUST MANIFOLD

Y00R6510 3. EXHAUST MANIFOLD

(A)=4TNV98-GGE (D)=4TNV98T-NSA
 (B)=4TNV98-NSA (E)=
 (C)=4TNV98T-GGE (F)=

REF.	LEV.	PARTS NO.	DESCRIPTION	Q'TY						I	R
				(A)	(B)	(C)	(D)	(E)	(F)		
1	1	129900-13120	MANIFOLD, EXHAUST	1	1						
3	1	119802-13610	BOLT M 8X 45 PLATED	8	8						
4	1	119131-18320	BOLT M 8X 22	4	4						

4TNV98-GGE
 4TNV98-NSA

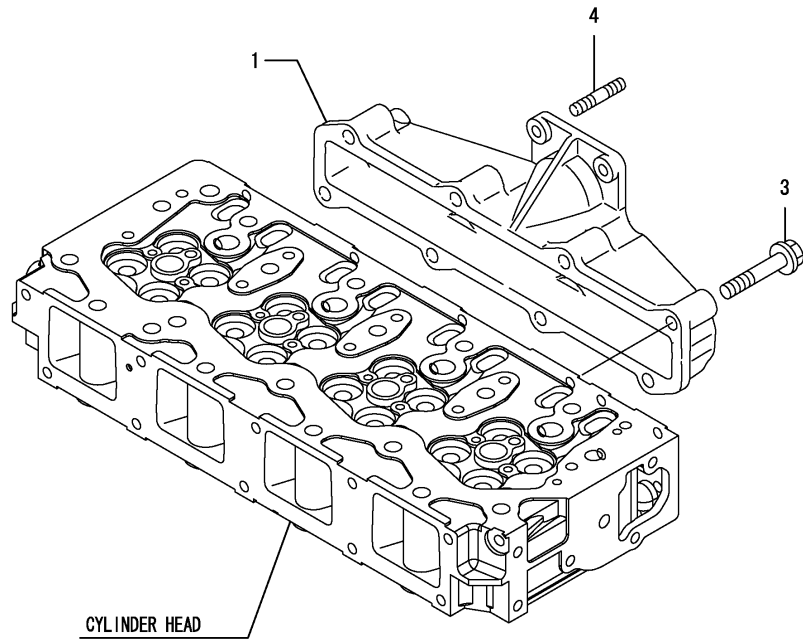
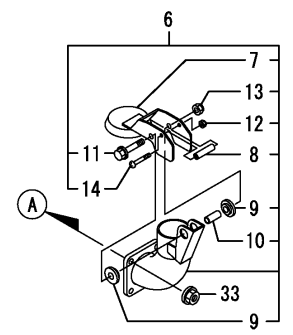
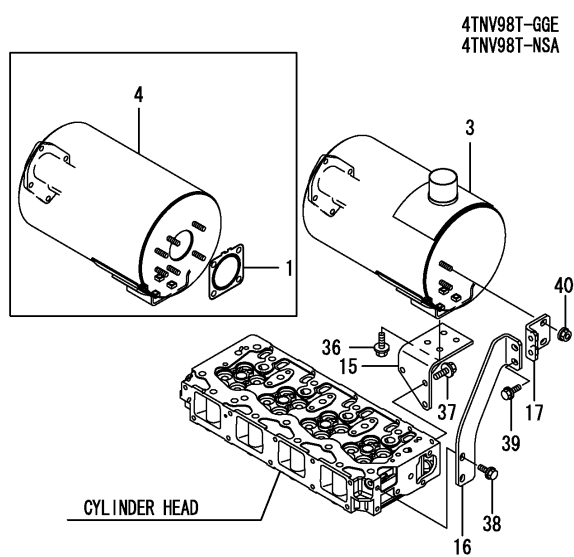
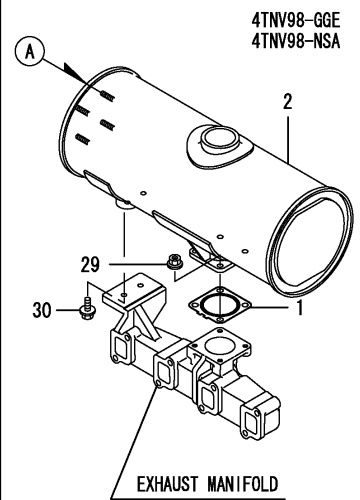
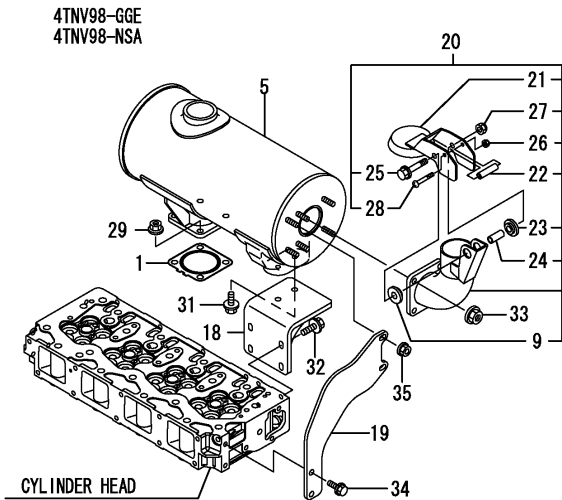


Fig.4. SILENCER & TALL PIPE

(A)=4TNV98-GGE (D)=4TNV98T-NSA
 (B)=4TNV98-NSA (E)=
 (C)=4TNV98T-GGE (F)=



REF.	LEV.	PARTS NO.	DESCRIPTION	Q'TY						I R
				(A)	(B)	(C)	(D)	(E)	(F)	
1	1	129930-13201	GASKET, SILENCER	1	1	1	1			
2	1	129907-13500	SILENCER	1	1					
3	1	129935-13500	SILENCER			1	1			
4	1	129908-13510	SILENCER				1	1		
5	1	129944-13520	SILENCER	1	1					
6	1	123925-13600	TAIL PIPE ASSY	1	1					
7	2	128300-13640	RAIN CAP	1	1					
8	2	121855-13821	SPACER(A)	1	1					
9	2	121855-13830	SPACER(B)	2	2					
10	2	123500-13840	SPACER(C)	1	1					
11	2	26106-060402	BOLT M 6X 40 PLATED	1	1					
12	2	26347-040002	U-NUT M 4	1	1					
13	2	26347-060002	U-NUT, 6	1	1					
14	2	26557-040352	SCREW M 4X 35	1	1					
15	1	129935-13600	STAY, SILENCER				1	1		
16	1	129935-13620	HEAD STAY ,SILENCER				1	1		
17	1	129935-13630	HEAD STAY ,SILENCER				1	1		
18	1	129944-13660	STAY, SILENCER	1	1					
19	1	129944-13670	STAY, SILENCER	1	1					
20	1	123925-13600	TAIL PIPE ASSY	1	1					
21	2	128300-13640	RAIN CAP	1	1					
22	2	121855-13821	SPACER(A)	1	1					
23	2	121855-13830	SPACER(B)	2	2					
24	2	123500-13840	SPACER(C)	1	1					
25	2	26106-060402	BOLT M 6X 40 PLATED	1	1					
26	2	26347-040002	U-NUT M 4	1	1					
27	2	26347-060002	U-NUT, 6	1	1					
28	2	26557-040352	SCREW M 4X 35	1	1					
29	1	26306-080002	NUT	4	4					
30	1	26106-080252	BOLT M 8X 25 PLATED	2	2					
31	1	26106-080162	BOLT M 8X 16 PLATED	2	2					
32	1	26106-080202	BOLT M 8X 20 PLATED	4	4					
33	1	26306-080002	NUT	4	4					
34	1	26106-080162	BOLT M 8X 16 PLATED	2	2					
35	1	26306-080002	NUT	2	2					
36	1	26106-080202	BOLT M 8X 20 PLATED				4	4		
37	1	26106-080162	BOLT M 8X 16 PLATED				3	3		
38	1	26106-080162	BOLT M 8X 16 PLATED				2	2		
39	1	26106-080202	BOLT M 8X 20 PLATED				2	2		
40	1	26306-080002	NUT				2	2		

Fig.5. OIL COLLER

(A)=4TNV98-GGE (D)=4TNV98T-NSA
 (B)=4TNV98-NSA (E)=
 (C)=4TNV98T-GGE (F)=

REF.	LEV.	PARTS NO.	DESCRIPTION	Q'TY						I R
				(A)	(B)	(C)	(D)	(E)	(F)	
1	1	129908-33010	COOLER ASSY, OIL	1	1					
2	2	123912-33050	O-RING	1	1					
3	1	123912-33100	BOLT, L.O.COOLER	1	1					
4	1	129908-33101	BRACKET,OIL COOLER	1	1					
5	1	129006-44480	JOINT	1	1					
6	1	129908-49060	PIPE, COOLING WATER	1	1					
7	1	129466-49300	ELBOW PT3/8	1	1					
8	1	123910-49600	PIPE, C.W.	1	1					
10	2	123910-49610	PROTECTOR,CW-T	1	1					
11	1	121750-59890	CLAMP 140	2	2					
12	1	24321-000600	O-RING 1A G-60.0	1	1					

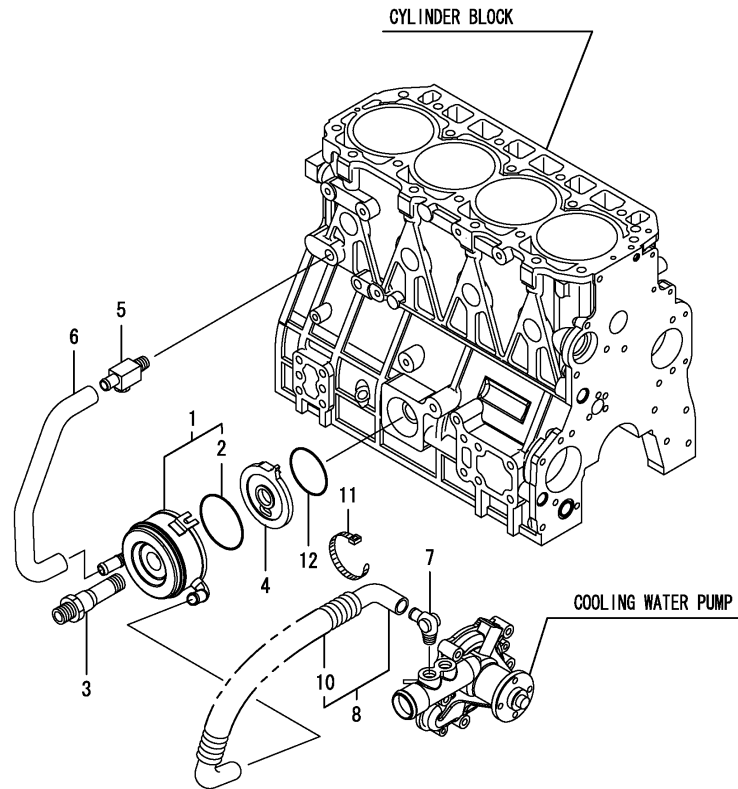
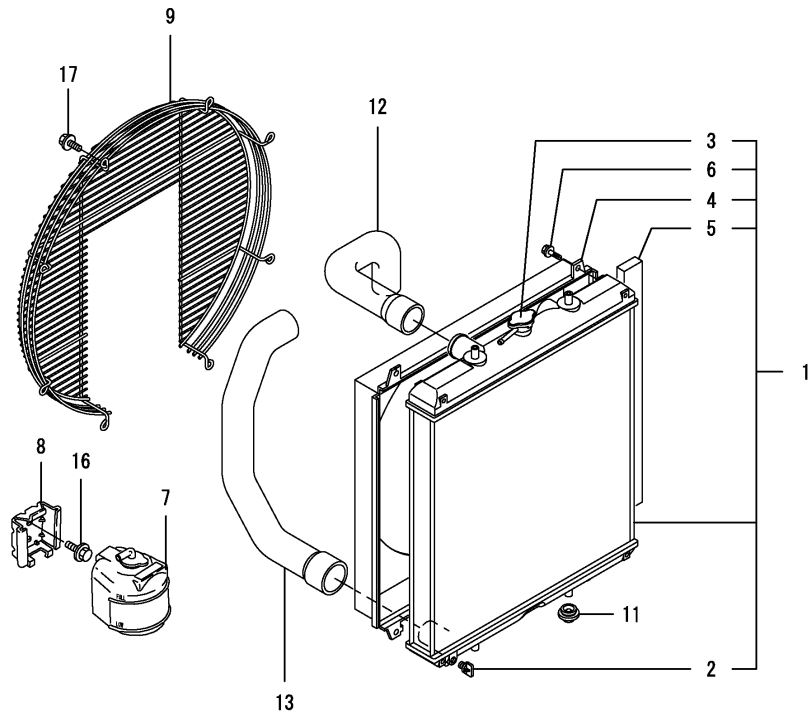
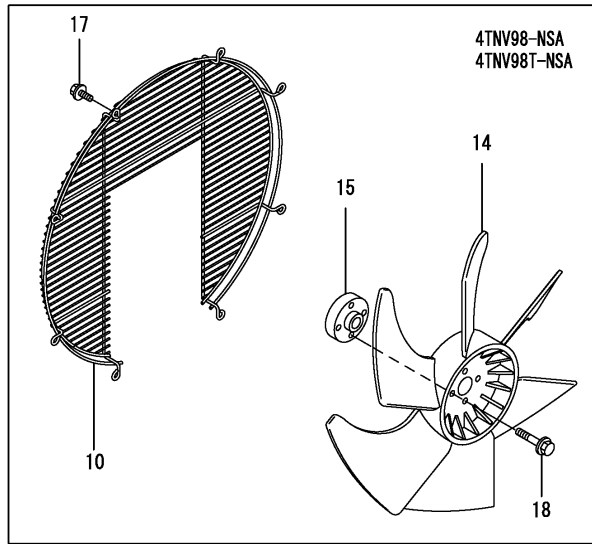


Fig.6. RADIATOR

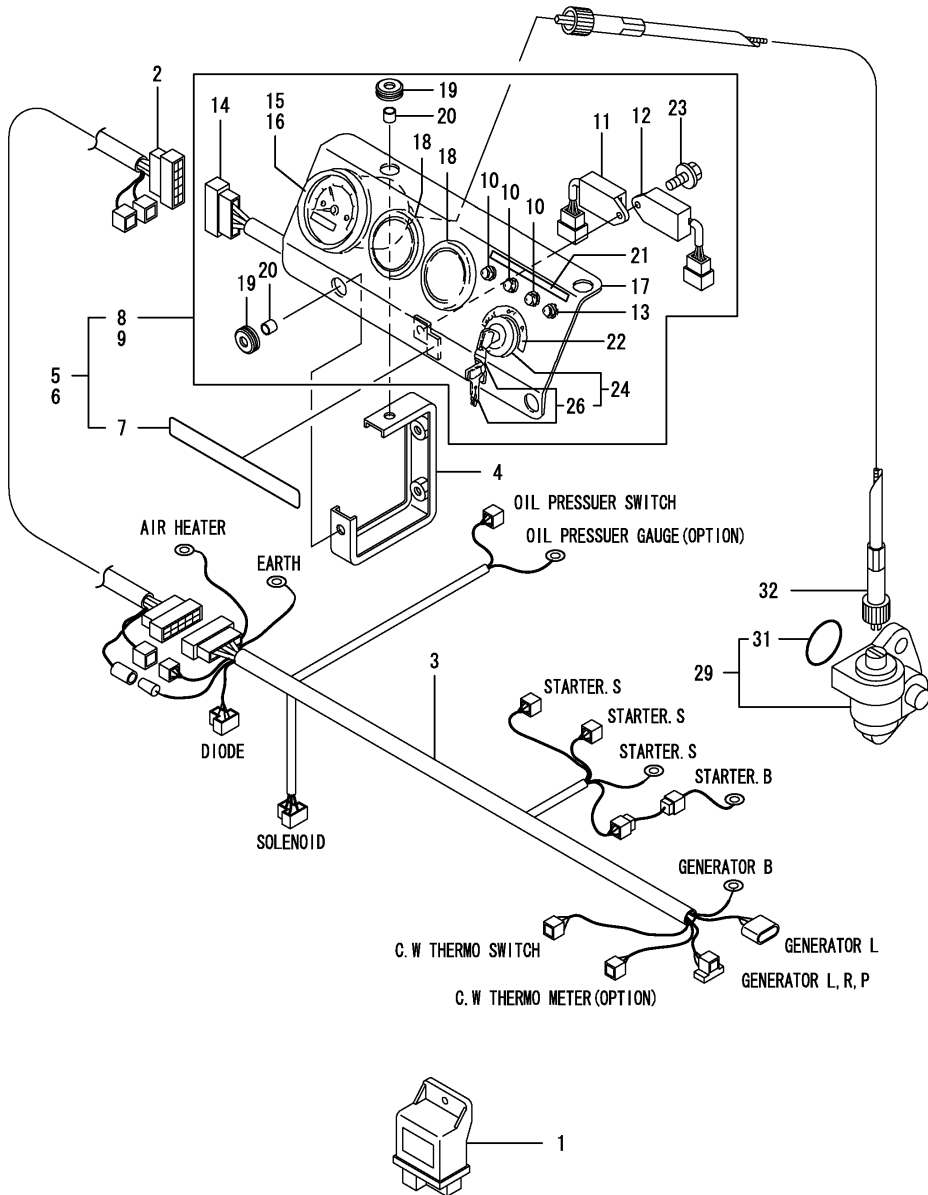
(A)=4TNV98-GGE (D)=4TNV98T-NSA
 (B)=4TNV98-NSA (E)=
 (C)=4TNV98T-GGE (F)=



REF.	LEV.	PARTS NO.	DESCRIPTION	Q'TY						I R
				(A)	(B)	(C)	(D)	(E)	(F)	
1	1	129940-44500	RADIATOR ASSY	1	1	1	1			
2	2	129508-44550	COCK ASSY	1	1	1	1			
3	2	129107-44590	CAP, RADIATOR	1	1	1	1			
4	2	129907-44600	SHROUD	1	1	1	1			
5	2	129907-44610	GASKET	2	2	2	2			
6	2	26014-060122	BOLT M 6X 12	4	4	4	4			
7	1	120445-44530	TANK ASSY, SUB	1	1	1	1			
8	1	120445-44540	BRACKET, SUB-TANK	1	1	1	1			
9	1	129907-44560	GUARD, FAN	1		1				
10	1	129907-44570	GUARD, FAN		1		1			
11	1	119255-44660	RUBBER	4	4	4	4			
12	1	129981-49050	CW-T(A)	1	1	1	1			
13	1	129981-49060	CW-T(B)	1	1	1	1			
14	1	129916-44740	FAN		1		1			
15	1	119130-44760	SPACER, FAN		1		1			
16	1	26106-080162	BOLT M 8X 16 PLATED	2	2	2	2			
17	1	26106-060162	BOLT M 6X 16 PLATED	8	8	8	8			
18	1	26106-080302	BOLT M 8X 30 PLATED		4		4			

Fig.7. ELECTRIC PARTS

(A)=4TNV98-GGE (D)=4TNV98T-NSA
 (B)=4TNV98-NSA (E)=
 (C)=4TNV98T-GGE (F)=



REF.	LEV.	PARTS NO.	DESCRIPTION	Q'TY						I	R
				(A)	(B)	(C)	(D)	(E)	(F)		
1	1	119802-77200	RELAY, SAFETY	1	1	1	1				
2	1	119946-91010	CORD,EXTENSION 2M	1	1	1	1				
3	1	119888-91026	HARNESS, WIRE	1	1	1	1				
4	1	119888-91120	SUPPORT, PANEL	2	2	2	2				
5	1	119888-91302	PANELBOARD ASSY	1		1					
6	1	119888-91102	PANELBOARD ASSY		1		1				
7	2	104507-07190	LABEL, YANMAR	1	1	1	1				
8	2	119888-91321	PANEL ASSY, INSTRU.	1		1					
9	2	170121-91101	PANEL ASSY, INSTRUM.		1		1				
10	3	124732-77720	LAMP, CHARGING	3	3	3	3				
11	3	128300-77920	TIMER	1	1	1	1				
12	3	129211-77920	TIMER	1	1	1	1				
13	3	124559-77971	LAMP, PILOT	1	1	1	1				
14	3	119888-91032	HARNESS B, WIRE	1	1	1	1				
15	3	171082-91100	TACHOMETER	1		1					
16	3	171080-91101	TACHOMETR		1		1				
17	3	119888-91110	BODY	1	1	1	1				
18	3	124770-91220	COVER 52	2	2	2	2				
19	3	121400-91520	ABSORBER	4	4	4	4				
20	3	121400-91530	SPACER	4	4	4	4				
21	3	119888-91610	LABEL, CW & OIL LAMP	1	1	1	1				
22	3	119888-91620	LABEL, KEY SWITCH	1	1	1	1				
23	3	26106-060102	BOLT 6X 10 PLATED	1	1	1	1				
24	3	933110-00100	SWITCH ASSY, STARTER	1	1	1	1				
26	4	933110-00301	KEY ASSY	2	2	2	2				
29	1	129150-91400	GEAR UNIT,TACHOMETER	1	1	1	1				
31	2	24341-000240	O-RING 1A S-24.0	1	1	1	1				
32	1	124737-91420	CABLE, TACHOMETER	1	1	1	1				