



# PARTS CATALOG

Published 2010/2 (Feb.)

0CW10-G22800

# PREFACE

1. This parts catalog is the 1st edition of 4TNV106-GGE for Yanmar America.

Pub.No. : 000Y00W2280

Published :September,2007

## Directions for the Parts Catalog.

1. The parts stipulated in this Parts Catalog are not necessarily standard equipped parts.
2. Parts may change without prior notice.
3. The following is an example of the Parts Catalog format.

REF.	LEV.	PARTS NO.	DESCRIPTION	Q'TY						I	R
				(A)	(B)	(C)	(D)	(E)	(F)		
1	1	729595-51390	FUEL INJECTION PUMP	1	1	1	1	1			1
1-1	1	729595-51391	FUEL INJECTION PUMP	1	1	1	1	1		N	1
		(A=E00185) (B=E00200)									
3	2	26022-060162	SCREW M 6X 16	9	9	9	9	9			
3-1	2	26022-060162	SCREW M 6X 16	4	4	4	4	4		K	
		(A=E00156) (B=E00156) (C=E00156) (D=E00156) (E=E00156)									
4	2	129470-51040	CAMSHAFT	1	1	1	1	1			
5	2	122710-51050	BEARING, ROLLER	2	2	2	2	2			
6	2	129470-51060	RETAINER	1	1	1	1	1			

Remarks
(1) BOOST COMPEMSATOR TYPE. OPTIONAL PART, TO E00155,(4JH-DT, 4JH-DTZ

### ① Ref. No.

The Ref. No. listed may not be in accordance with the illustration Ref. No.

(Ex.) Illustration No.

List Ref No.

1

1

(Before change)

1-1

(After change)

For interchangeable symbols N, R and K, illustrations for new parts may be abbreviated.

### ② Lev. (Level)

Level indication

The numbers below indicate the level of relativity towards the main part.

1 ---- Main parts (Assembly parts)

2 ---- Sub component included in " 1 ".

3 ---- Sub component included in " 2 ".

Note) Parts that are not for sale are partially illustrated but not listed.

### ③ Interchangeability Mark

When a part change takes place, one of the following interchangeability symbols is indicated beside the part.

Symbol	Interchangeability	Contents note
N	Old $\begin{matrix} \leftarrow \text{Yes} \\ \text{No} \rightarrow \end{matrix}$ New	New Part is interchangeable for Old Part but Old Part is not interchangeable for New Part.
Q	Old $\begin{matrix} \leftarrow \text{No} \\ \text{Yes} \rightarrow \end{matrix}$ New	New Part is not interchangeable for Old Part but Old Part is interchangeable for New Part.
R	Old $\begin{matrix} \leftarrow \text{Yes} \\ \text{Yes} \rightarrow \end{matrix}$ New	New/ Old Parts are both interchangeable.
S	Old $\begin{matrix} \leftarrow \text{No} \\ \text{No} \rightarrow \end{matrix}$ New	New/ Old Parts are both not interchangeable.
W		Part newly added.
Z		Part discontinued.
F		Not interchangeable by a single part but interchangeable together with related parts.
K		Changes only for used parts quantities.

### ④ Effective Machine No.

When a part changes, the effective Machine No. will be indicated in the (A)-(F) column.

Product Symbol	Product No.	Product Symbol	Product No.
C	Clutch No. Compressor No.	F	Machine No. (Agricultural Equip.)
D	Drive No.	M	Machine No.
E	Engine No.	Note 1)	Date

Note 1) A date may follow the symbol. (Ex.) 1996.01

Note 2) " XXX " are for parts that could not be predicted or for engine models that could not be identified.

Note 3) (A=E00185) is the E (Engine Serial Number) for the column (A) model (in this case 4JH-DT) after the parts design change.

### ⑤ Remarks Mark

Figures or alphabets (symbols) are entered in the remarks column.

The comments (remarks) on parts that are indicated at the bottom of the illustration are the same symbols as those stated above.

# CONTENTS

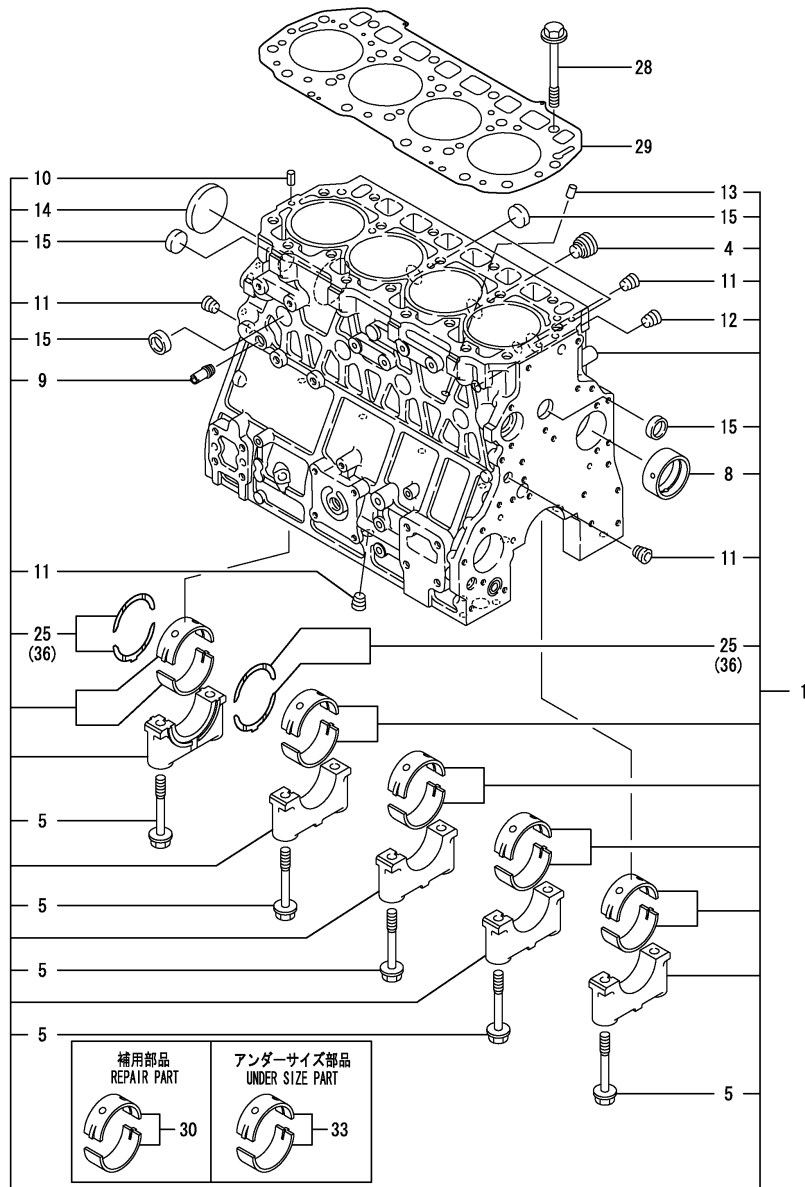
MODEL : 4TNV106-GGE  
PC NO : 0CW10-G22800

Fig.No. GROUP NAME  
4TNV106-GGE

Fig.No. GROUP NAME

1. CYLINDER BLOCK
2. GEAR HOUSING
3. FLYWHEEL HOUSING & OIL SUMP
4. CYLINDER HEAD & BONNET
5. SUCTION MANIFOLD
6. EXHAUST MANIFOLD
7. CAMSHAFT & DRIVING GEAR
8. CRANKSHAFT & PISTON
9. LUB.OIL SYSTEM
10. LUB.OIL LINE
11. COOLING WATER SYSTEM
12. FUEL INJECTION PUMP
13. GOVERNOR
14. FUEL INJECTION VALVE
15. FUEL LINE
16. STARTING MOTOR
17. GENERATOR
18. GASKET SET

Fig.1. CYLINDER BLOCK



0CW10-G22800 1. CYLINDER BLOCK

(A)=4TNV106-GGE

(B)=

(C)=

(D)=

(E)=

(F)=

REF.	LEV.	PARTS NO.	DESCRIPTION	QTY						I	R
				(A)	(B)	(C)	(D)	(E)	(F)		
1	1	723907-01560	BLOCK ASSY, CYLINDER	1							
4	2	171051-01921	PLUG	1							
5	2	123900-02020	BOLT,CAP,MAIN-BEARIN	10							
8	2	123900-02410	BUSH	1							
9	2	121851-11970	JOINT, PIPE	1							
10	2	22351-060012	SPRING PIN 6X12	2							
11	2	23875-030000	PLUG PT3/8,STEEL	4							
12	2	23875-030000	PLUG PT3/8,STEEL	1							
13	2	27225-120160	PLUG 12*16	1							
14	2	27231-700000	PLUG 70	1							
15	2	27241-300000	PLUG 30	8							
25	2	123900-02930	BEARING ASSY, THRUST	2							
28	1	119174-01200	BOLT, CYLINDER HEAD	18							
29	1	123907-01350	GASKET, HEAD	1							
30	1	723900-02800	BEARING ASSY, MAIN	5							1
33	1	123900-02340	MAIN BEARING US=0.25	5							2
36	1	123900-02940	BEARING,THRUST .25OS	2							3

Remarks

- (1) REPAIR PART.
- (2) UNDER-SIZED(U.S=0.25)PART.
- (3) OVER-SIZED(O.S=0.25)PART.

Fig.2. GEAR HOUSING

(A)=4TNV106-GGE

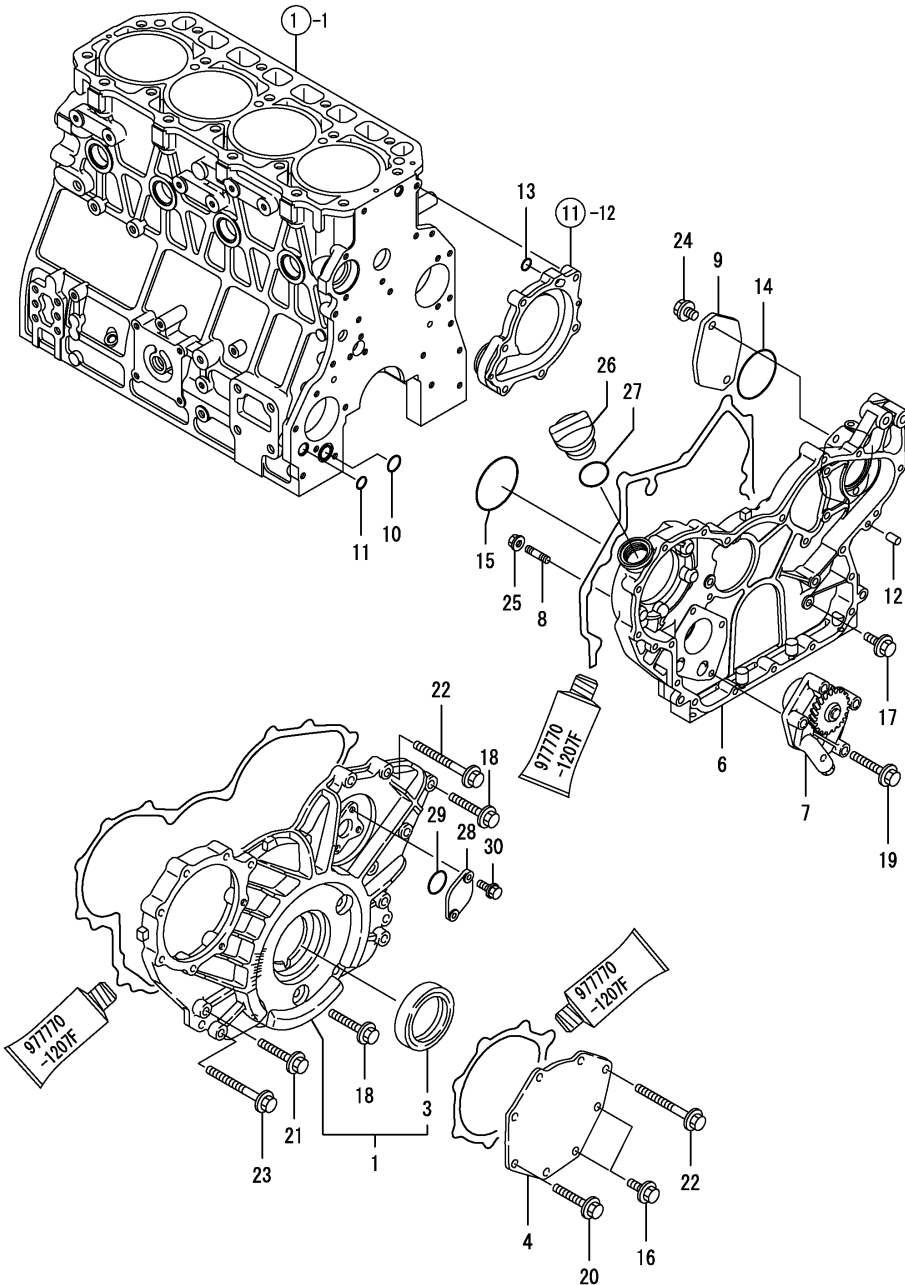
(B)=

(C)=

(D)=

(E)=

(F)=



REF.	LEV.	PARTS NO.	DESCRIPTION	QTY						I	R
				(A)	(B)	(C)	(D)	(E)	(F)		
1	1	723900-01580	COVER ASSY, GEAR CASE	1							
3	2	123946-01780	SEAL, GEAR CASE	1							
4	1	123900-01740	COVER, FIP	1							
6	1	123907-01540	HOUSING, GEARS	1							
7	1	123900-32001	PUMP ASSY, L.O.	1							
8	1	26226-100322	STUD M10X 32 PLATED	4							
9	1	121023-26070	COVER, HO-P	1							
10	1	129900-32030	O-RING P20	1							
11	1	129900-32040	O-RING P14	1							
12	1	22312-080160	PARALLEL PIN 8X 16	4							
13	1	24311-000110	O-RING 1A P-11.0	1							
14	1	24321-000850	O-RING 1A G-85.0	1							
15	1	24351-030750	PACKING, 3075	1							
16	1	26106-080202	BOLT M 8X 20 PLATED	2							
17	1	26106-080202	BOLT M 8X 20 PLATED	5							
18	1	26106-080402	BOLT M 8X 40 PLATED	6							
19	1	26106-080452	BOLT M 8X 45 PLATED	4							
20	1	26106-080452	BOLT M 8X 45 PLATED	5							
21	1	26106-080502	BOLT M 8X 50 PLATED	1							
22	1	26106-080702	BOLT M 8X 70 PLATED	5							
23	1	26106-080802	BOLT M 8X 80 PLATED	3							
24	1	26106-100222	BOLT M10X 22 PLATED	2							
25	1	26306-100002	NUT	4							
26	1	124160-01751	COVER, FILLER	1							
27	1	24311-000320	O-RING 1A P-32.0	1							
28	1	121023-01551	COVER, BLIND	1							
29	1	24341-000240	O-RING 1A S-24.0	1							
30	1	26106-060162	BOLT M 6X 16 PLATED	2							

Fig.3. FLYWHEEL HOUSING & OIL SUMP

(A)=4TNV106-GGE

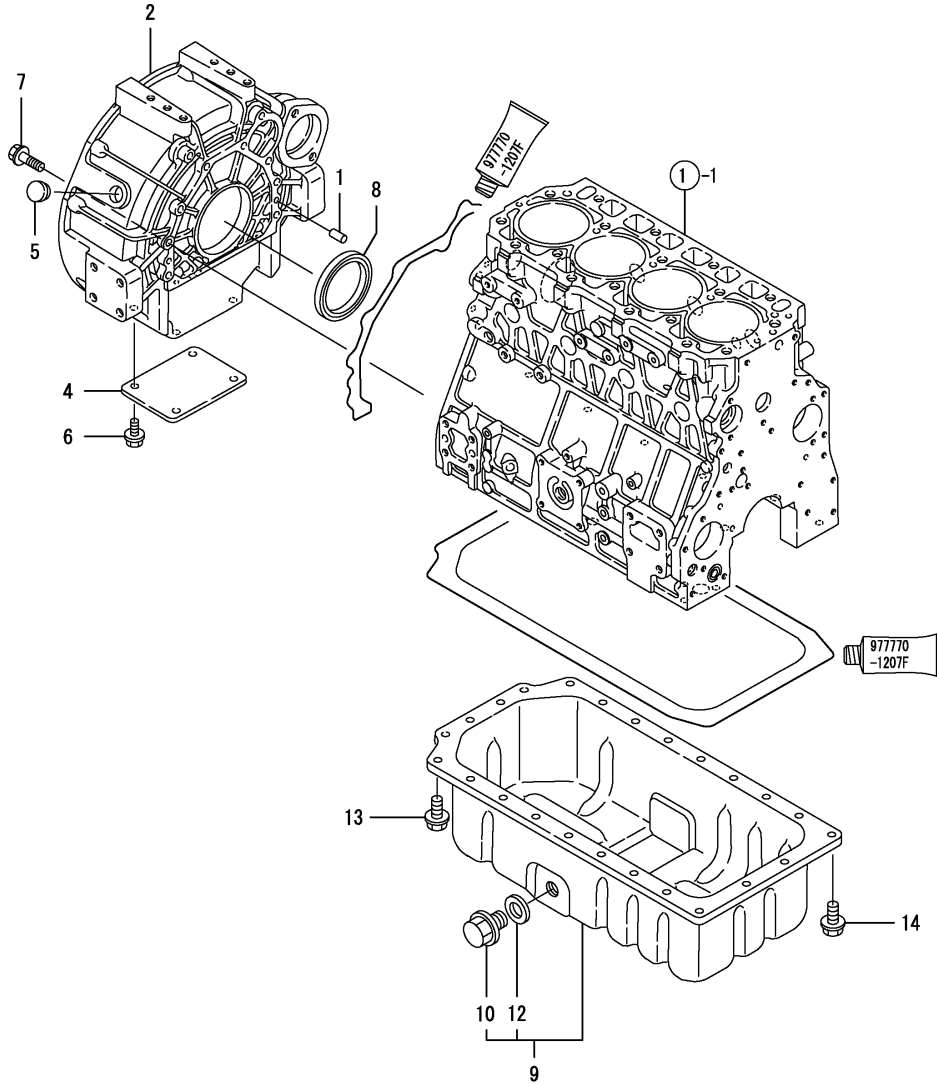
(B)=

(C)=

(D)=

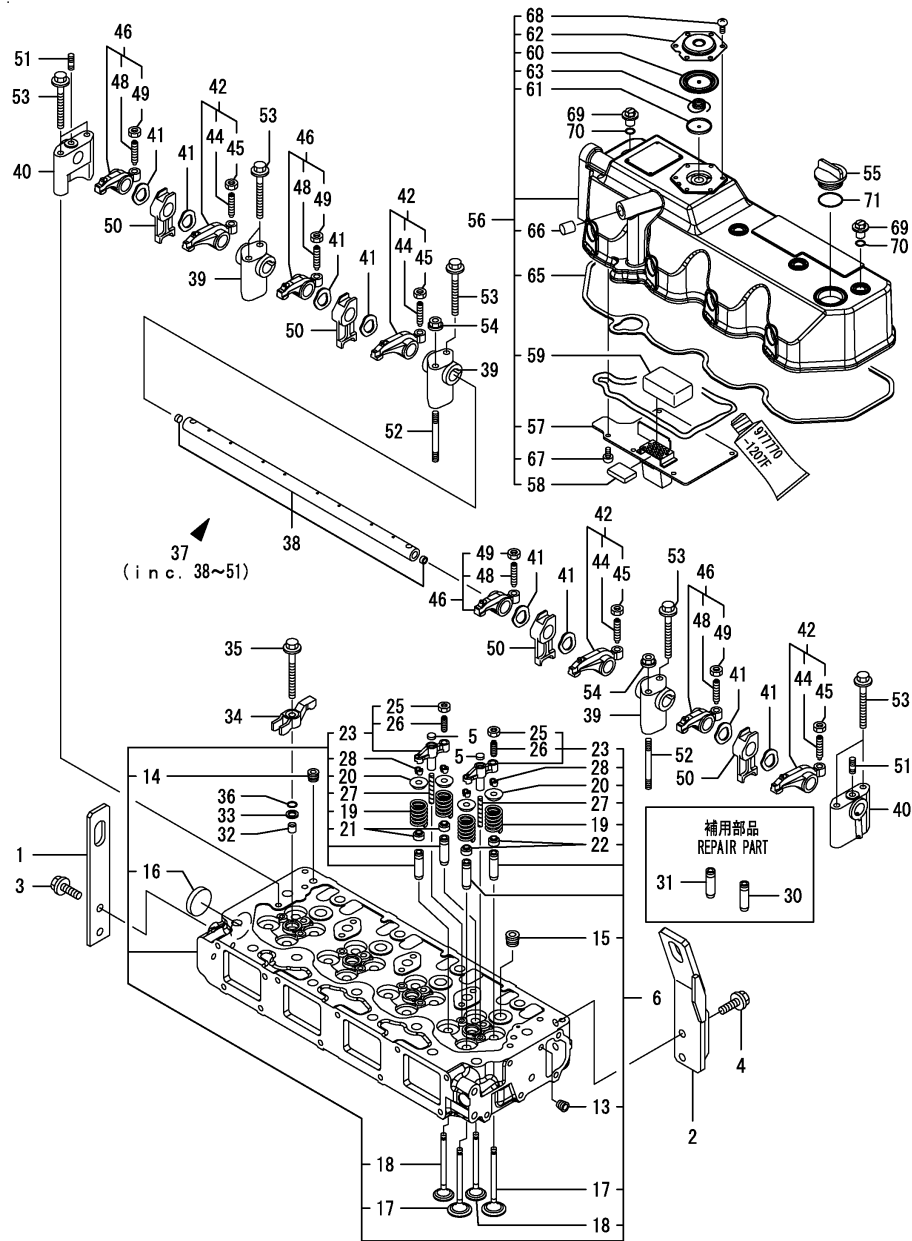
(E)=

(F)=



REF.	LEV.	PARTS NO.	DESCRIPTION	QTY						I	R
				(A)	(B)	(C)	(D)	(E)	(F)		
1	1	129100-01580	PARALLEL PIN 8X16	2							
2	1	123910-01620	COVER ASSY,FLYWHEEL	1							
4	1	123910-01690	COVER	1							
5	1	119575-01750	CAP	1							
5-1	1	119620-01750	CAP, FLYWHEEL COVER	1							R
(A=*2009.11)											
6	1	26106-080162	BOLT M 8X 16 PLATED	4							
7	1	26106-100352	BOLT M10X 35 PLATED	10							
8	1	123946-01790	SEAL, FLYWHEEL	1							
9	1	123900-01710	PAN COMP,LUB.OIL	1							
10	2	119640-01640	DRAIN PLUG M22	1							
12	2	22190-220002	SEAL WASHER 22S	1							
13	1	26106-080122	BOLT M 8X 12 PLATED	22							
14	1	26106-080162	BOLT M 8X 16 PLATED	4							

Fig.4. CYLINDER HEAD & BONNET



Remarks  
(1) REPAIR PART.

(A)=4TNV106-GGE

(B)=

(C)=

(D)=

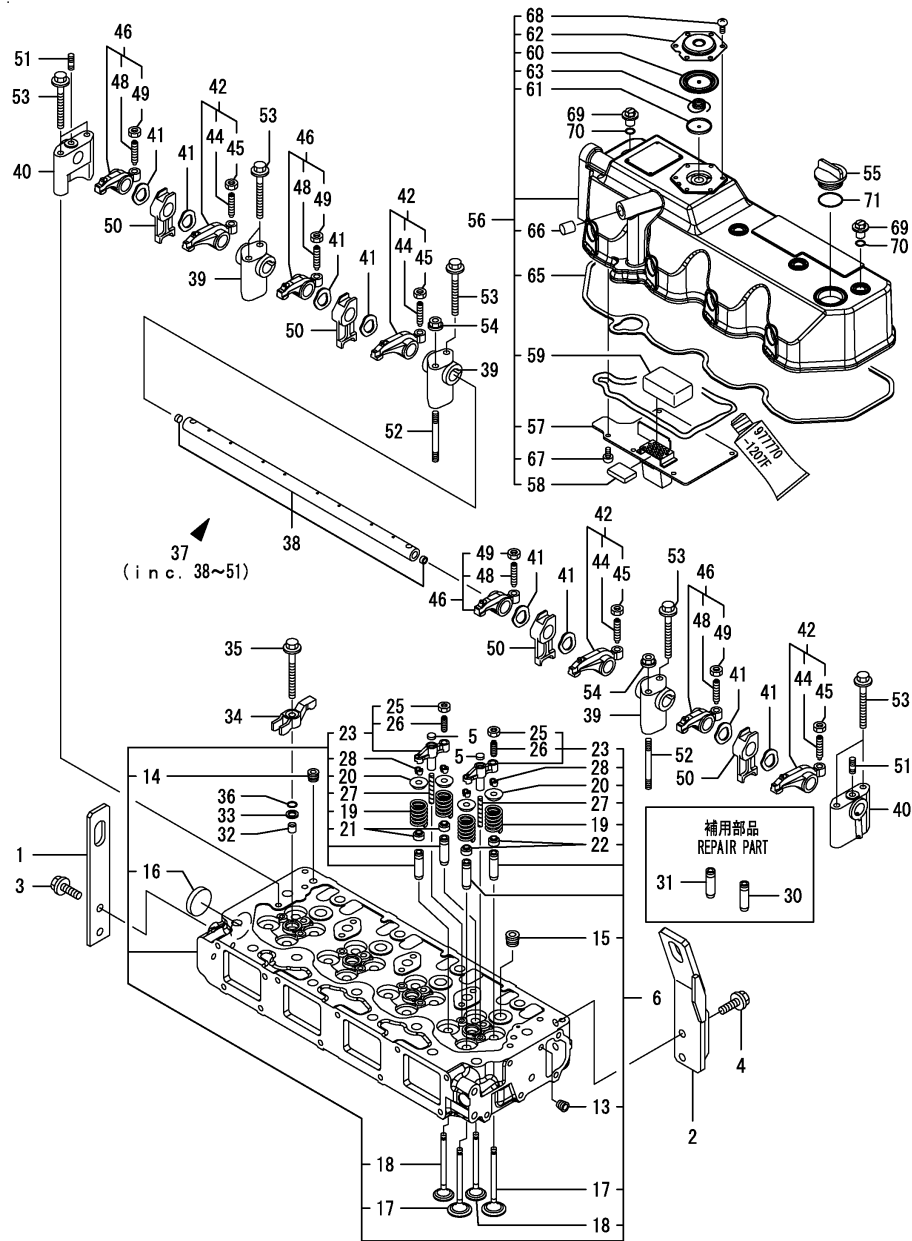
(E)=

(F)=

REF.	LEV.	PARTS NO.	DESCRIPTION	QTY						I	R
				(A)	(B)	(C)	(D)	(E)	(F)		
1	1	123900-07900	LIFTER	1							
2	1	123900-07910	LIFTER	1							
3	1	26106-100202	BOLT M10X 20 PLATED								
4	1	26106-100252	BOLT M10X 25 PLATED	2							
5	1	123907-11550	SEAT A, VALVE BRIDGE	8							
6	1	123907-11700	HEAD ASSY, CYLINDER	1							
13	2	23876-005000	PLUG PT 1/16, SCREW	1							
14	2	23876-020000	PLUG PT1/4, SCREW	1							
15	2	23876-030000	PLUG PT3/8, SCREW	4							
16	2	27241-400000	PLUG 40	1							
17	2	123907-11100	VALVE(INT	8							
18	2	123907-11110	VALVE(EXH	8							
19	2	123907-11120	VALVE SPRING	16							
20	2	123907-11180	RETAINER, SPRING	16							
21	2	119803-11340	SEAL, VALVE STEM(EXH	8							
22	2	124160-11340	SEAL, VALVE STEM(INT	8							
23	2	123907-11510	BRIDGE ASSY, VALVE	8							
25	3	129150-11750	NUT M8XP1.0	8							
26	3	123907-11830	SCRWE, VALVE BRIDGE	8							
27	2	123907-11820	GUIDE, VALVE BRIDGE	8							
28	2	27310-070001	COTTER ASSY	16							
30	1	123907-11800	GUIDE, VALVE(SUC	8							1
31	1	123907-11810	GUIDE, VALVE(EXH	8							1
32	1	119802-11870	PROTECTOR, NOZZLE	4							
33	1	119625-11880	SEAT, NOZZLE	4							
34	1	123907-11910	RETAINER, F.I. VALVE	4							
35	1	123907-11950	FLANGE BOLT, RETAINER	4							
36	1	24311-000120	O-RING 1A P 12.0	4							
37	1	123907-11341	SUPPORT ASSY, ARM	1							
38	2	123907-11250	SHAFT, ROCKER ARM	1							
39	2	123907-11260	SUPPORT A	3							
40	2	123907-11270	SUPPORT B	2							
41	2	123907-11280	WAVE WASHER	8							
42	2	123907-11650	ARM ASSY, ROCKER	4							
44	3	129150-11230	SCREW, VALVE	4							
45	3	129150-11750	NUT M8XP1.0	4							
46	2	123907-11660	ARM ASSY, ROCKER	4							
48	3	129150-11230	SCREW, VALVE	4							
49	3	129150-11750	NUT M8XP1.0	4							
50	2	123907-11920	RETAINER, F.I. VALVE	4							
51	2	26226-080302	STUD M 8X 30 PLATED	2							
52	1	123907-11390	STUD 8X95	2							
53	1	26106-080752	BOLT M 8X 75 PLATED	8							
54	1	26306-080002	NUT	2							
55	1	124160-01751	COVER, FILLER	1							
56	1	123907-11321	BONNET ASSY	1							
57	2	123907-03010	BAFFLE PLATE	1							
58	2	123907-03060	BAFFLE	1							
59	2	123907-03070	BAFFLE	1							
60	2	123907-03100	DIAPHRAGM, BREATHER	1							
61	2	123907-03110	CENTER PLATE	1							



Fig.4. CYLINDER HEAD & BONNET



0CW10-G22800 4. CYLINDER HEAD & BONNET

(A)=4TNV106-GGE

(B)=

(C)=

(D)=

(E)=

(F)=

REF.	LEV.	PARTS NO.	DESCRIPTION	QTY						I	R
				(A)	(B)	(C)	(D)	(E)	(F)		
62	2	123907-03120	PLATE,BREATHER	1							
63	2	123907-03140	SPRING, DIAPHRAGM	1							
65	2	123907-11311	PACKING,BONNET	1							
66	2	119640-61400	PLUG	1							
67	2	22857-500100	SCREW 5X10,TAPPING	6							
68	2	22857-500100	SCREW 5X10,TAPPING	6							
69	1	124160-11360	KNOB	4							
70	1	24311-000120	O-RING 1A P 12.0	4							
71	1	24311-000320	O-RING 1A P-32.0	1							

Remarks  
(1) REPAIR PART.

N:Old  $\begin{matrix} \leftarrow \text{Yes} \\ \text{No} \end{matrix}$  New, Q:Old  $\begin{matrix} \leftarrow \text{No} \\ \text{Yes} \end{matrix}$  New, R:Old  $\begin{matrix} \leftarrow \text{Yes} \\ \text{Yes} \end{matrix}$  New, S:Old  $\begin{matrix} \leftarrow \text{No} \\ \text{No} \end{matrix}$  New, W:Add, Z:Discontinued, F:Interchangeable by set, K:Q'ty Change

Fig.5. SUCTION MANIFOLD

0CW10-G22800 5. SUCTION MANIFOLD

(A)=4TNV106-GGE  
(B)=  
(C)=

(D)=  
(E)=  
(F)=

REF.	LEV.	PARTS NO.	DESCRIPTION	Q'TY						I	R
				(A)	(B)	(C)	(D)	(E)	(F)		
1	1	123907-12100	MANIFOLD,AIR INTAKE	1							
2	1	123907-12110	PACKING(INT.MANIFOLD	1							
3	1	26106-080702	BOLT M 8X 70 PLATED	10							
4	1	124610-12580	JOINT	1							
5	1	123900-77020	GASKET,AIR HEATER	1							
6	1	123900-77030	GASKET,AIR HEATER	1							
7	1	123900-77500	HEATER AIR	1							
8	1	26106-100452	BOLT M10X 45 PLATED	4							

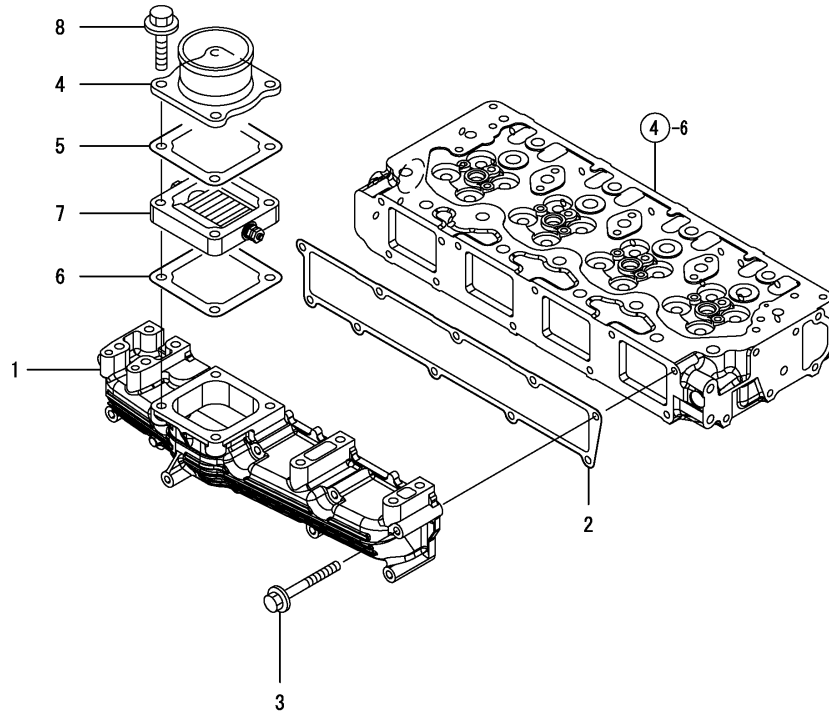


Fig.6. EXHAUST MANIFOLD

0CW10-G22800 6. EXHAUST MANIFOLD

(A)=4TNV106-GGE

(B)=

(C)=

(D)=

(E)=

(F)=

REF.	LEV.	PARTS NO.	DESCRIPTION	Q'TY						I	R
				(A)	(B)	(C)	(D)	(E)	(F)		
1	1	123907-13110	PK(EXH	1							
2	1	123907-13120	MANIFOLD,EXHAUST	1							
3	1	119107-13190	BOLT 10X30	4							
4	1	123907-13710	FLANGE BOLT,10X85	6							
5	1	123907-13820	STUD 10X 85	2							
6	1	26306-100002	NUT	2							
7	1	128300-13230	PACKING	1							

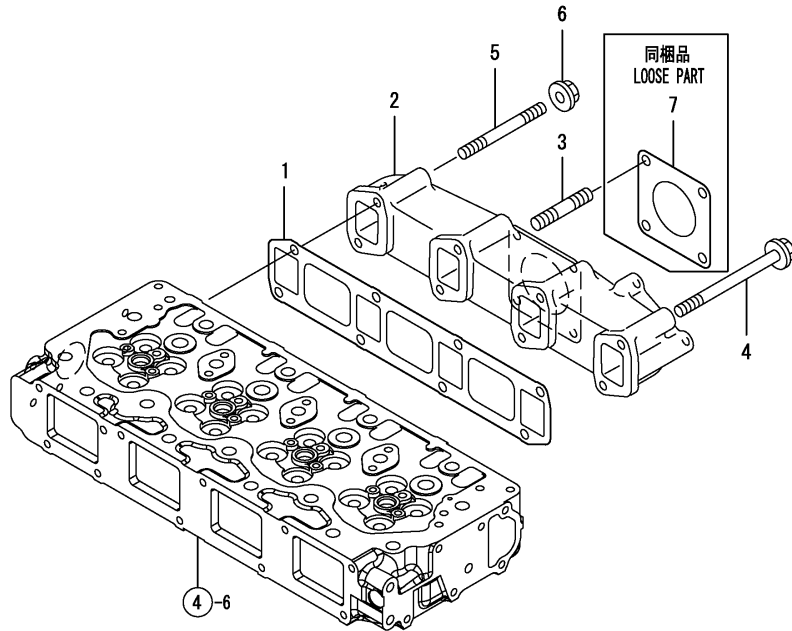
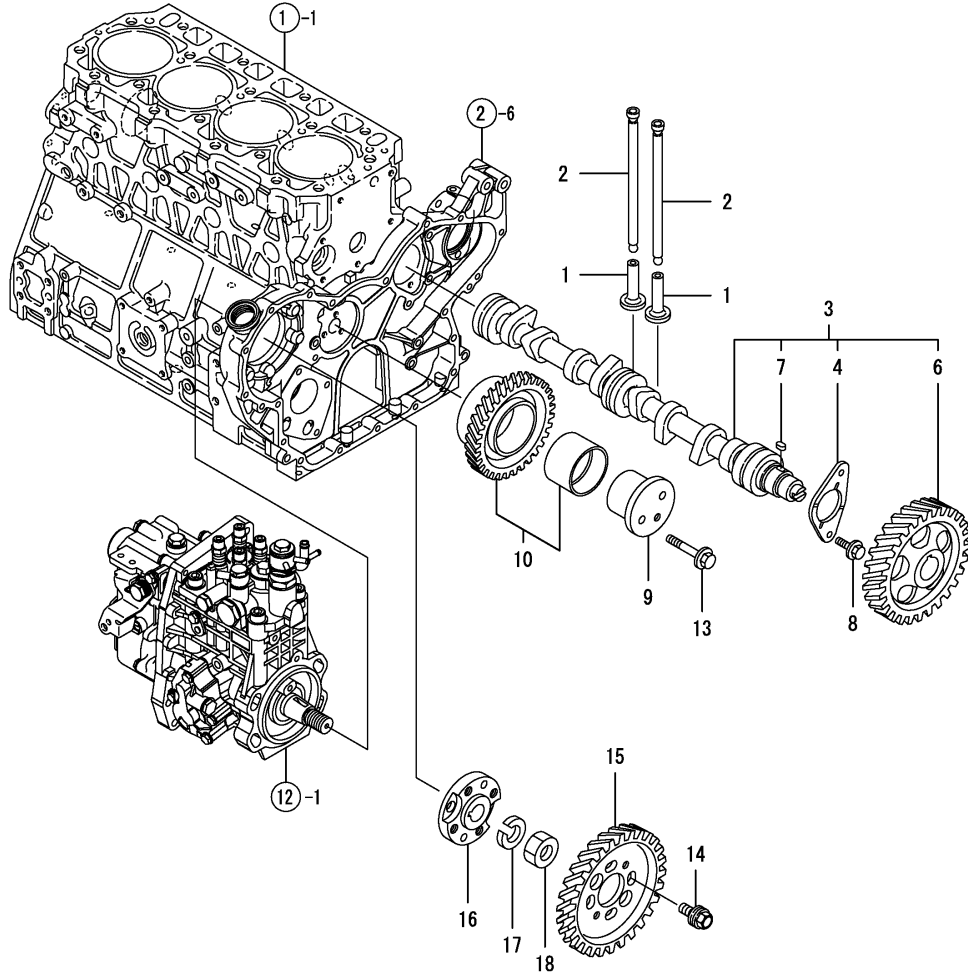


Fig.7. CAMSHAFT & DRIVING GEAR



0CW10-G22800 7. CAMSHAFT & DRIVING GEAR

(A)=4TNV106-GGE

(B)=

(C)=

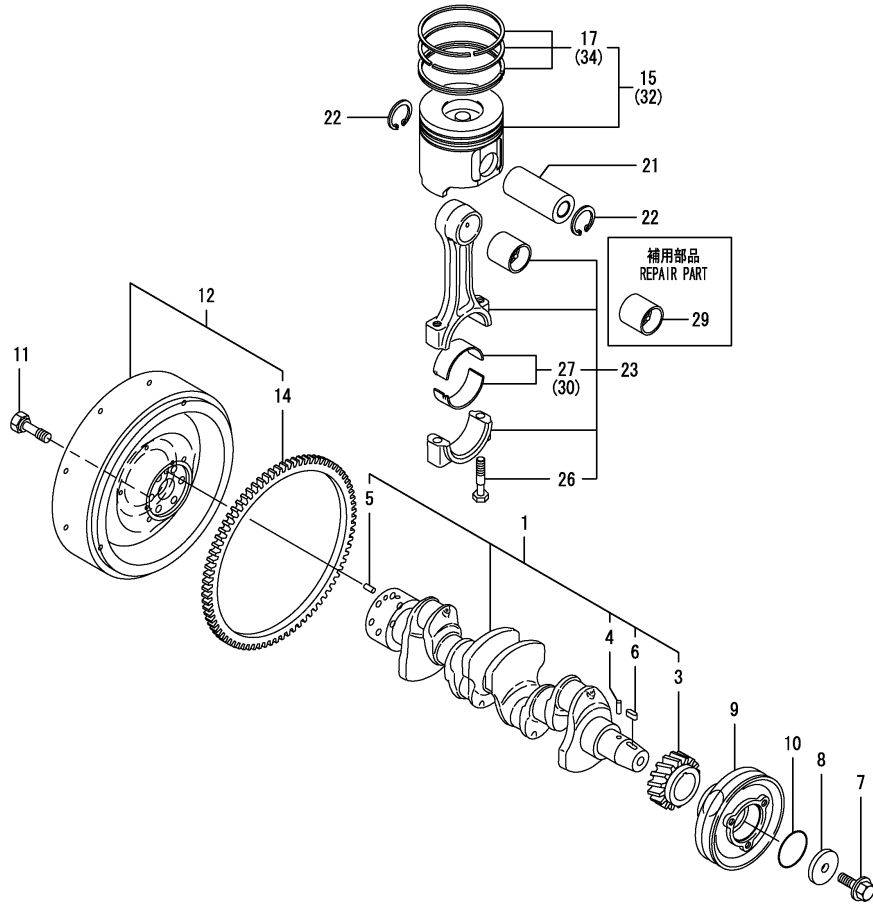
(D)=

(E)=

(F)=

REF.	LEV.	PARTS NO.	DESCRIPTION	QTY						I	R
				(A)	(B)	(C)	(D)	(E)	(F)		
1	1	123900-14200	TAPPET	8							
2	1	123907-14400	PUSH ROD	8							
3	1	123907-14580	CAMSHFT ASSY	1							
4	2	129150-02450	METAL,THRUST(CAM	1							
6	2	129900-14100	GEAR, CAMSHAFT	1							
7	2	22512-070140	KEY 7X 14	1							
8	1	26106-080142	BOLT 8X 14 PLATED	2							
9	1	123900-25060	SHAFT(GEAR, IDLE	1							
10	1	123900-25120	GEAR ASSY, IDLE	1							
13	1	26106-080552	BOLT M 8X 55 PLATED	3							
14	1	129953-25300	BOLT	4							
15	1	123907-25909	GEAR, F.I.PUMP	1							
16	1	158563-51150	FLANGE	1							
17	1	22217-180000	SPRING WASHER 18	1							
18	1	26776-180002	NUT M18, LOCK	1							

Fig.8. CRANKSHAFT & PISTON



0CW10-G22800 8. CRANKSHAFT & PISTON

(A)=4TNV106-GGE

(B)=

(C)=

(D)=

(E)=

(F)=

REF.	LEV.	PARTS NO.	DESCRIPTION	Q'TY						I	R
				(A)	(B)	(C)	(D)	(E)	(F)		
1	1	123900-21000	CRANKSHAFT ASSY	1							
3	2	129900-21200	GEAR, CRANKSHAFT	1							
4	2	121850-21290	PARALLEL PIN	1							
5	2	121850-21920	PARALLEL PIN 10X22	1							
6	2	22512-070140	KEY 7X 14	1							
7	1	129916-21610	BOLT, V-PULLEY	1							
8	1	129960-21640	WASHER	1							
9	1	123946-21660	V-PULLEY, CRANKSHAFT	1							
10	1	24341-000530	O-RING 1A S-53.0	1							
11	1	121850-21130	BOLT, FLYWHEEL	6							
12	1	123915-21590	FLYWHEEL ASSY	1							
14	2	127410-21480	RING GEAR Z=129	1							
15	1	123907-22081	PISTON W/RING	4							
17	2	123907-22050	RING SET, PISTON	4							
21	1	119173-22300	PIN, PISTON	4							
22	1	22252-000370	CIRCLIP 37	8							
23	1	123900-23000	ROD ASSY, CONNECTING	4							
26	2	123900-23200	BOLT, ROD	8							
27	2	123900-23600	METAL ASSY, CRANKPIN	4							
29	1	123900-23910	METAL, PISTON PIN	4							1
30	1	123900-23610	BEARING,PIN U.S=0.25	4							2
32	1	723907-22900	PISTON W/RING OS=0.25	4							3
34	2	723907-22950	RING SET O.S=0.25	4							3

Remarks

- (1) REPAIR PART.
- (2) UNDER-SIZED(U.S=0.25)PART.
- (3) OVER-SIZED(O.S=0.25)PART.

Fig.9. LUB.OIL SYSTEM

(A)=4TNV106-GGE

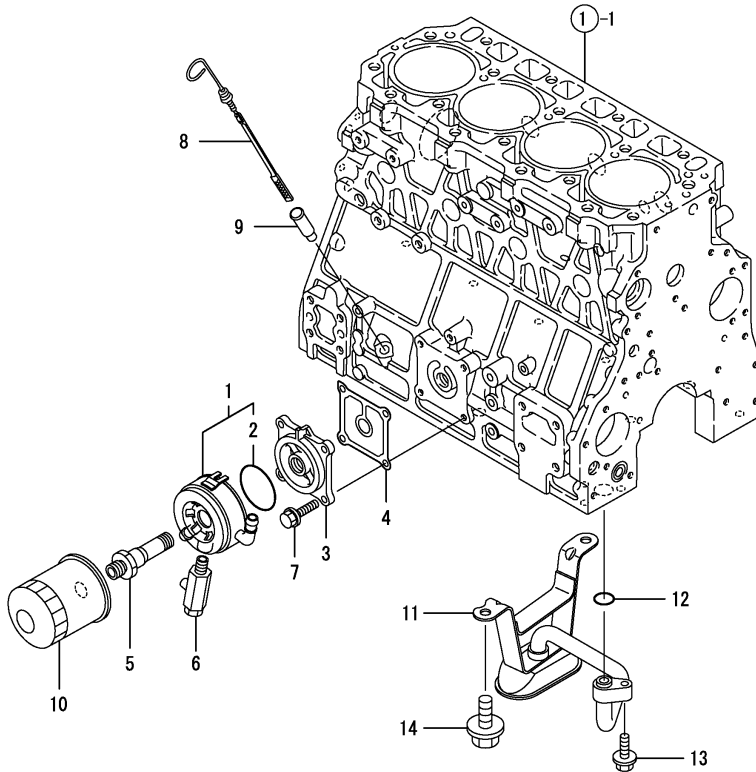
(B)=

(C)=

(D)=

(E)=

(F)=



REF.	LEV.	PARTS NO.	DESCRIPTION	QTY						I	R
				(A)	(B)	(C)	(D)	(E)	(F)		
1	1	123910-33011	COOLER ASSY, L.O.	1							
2	2	123912-33050	O-RING	1							
3	1	123912-33040	BRACKET COMP, COOLER	1							
4	1	123900-33060	PACKING	1							
5	1	123912-33100	BOLT, L.O.COOLER	1							
6	1	119620-49290	COCK ASSY 1/4	1							
7	1	26106-080202	BOLT M 8X 20 PLATED	4							
8	1	123982-34801	DIPSTICK, LUB.OIL	1							
9	1	121520-34810	GUIDE, DIPSTICK	1							
10	1	119005-35151	FILTER 80X100L	1							1
11	1	123900-35004	PIPE ASSY,L.O.INTAKE	1							
12	1	24314-000180	O-RING 4C P-18.0	1							
13	1	26106-080302	BOLT M 8X 30 PLATED	1							
14	1	26106-120162	BOLT M12X 16 PLATED	2							

Remarks  
(1) REPAIR PART.

Fig.10. LUB.OIL LINE

(A)=4TNV106-GGE

(B)=

(C)=

(D)=

(E)=

(F)=

REF.	LEV.	PARTS NO.	DESCRIPTION	QTY						I	R
				(A)	(B)	(C)	(D)	(E)	(F)		
1	1	123907-39061	PIPE, LUB.OIL	1							
3	2	123907-39500	SUPPORT,PIPE	1							
6	1	124160-39140	BOLT 10, PIPE JOINT	1							
7	1	23414-080000	GASKET 8, ROUND	2							
8	1	23414-100000	GASKET 10, ROUND	2							
9	1	23857-030000	JOINT BOLT 3	1							
10	1	26106-080122	BOLT M 8X 12 PLATED	1							
11	1	22190-080002	SEAL WASHER 8S	2							
12	1	26106-080122	BOLT M 8X 12 PLATED	2							
13	1	129792-39410	VALVE ASSY, CHECK	4							
19	1	123900-39650	NOZZLE	4							
20	1	22351-030010	SPRING PIN 3X10	4							
21	1	114250-39450	SWITCH,(0.5KG)L.O.	1							

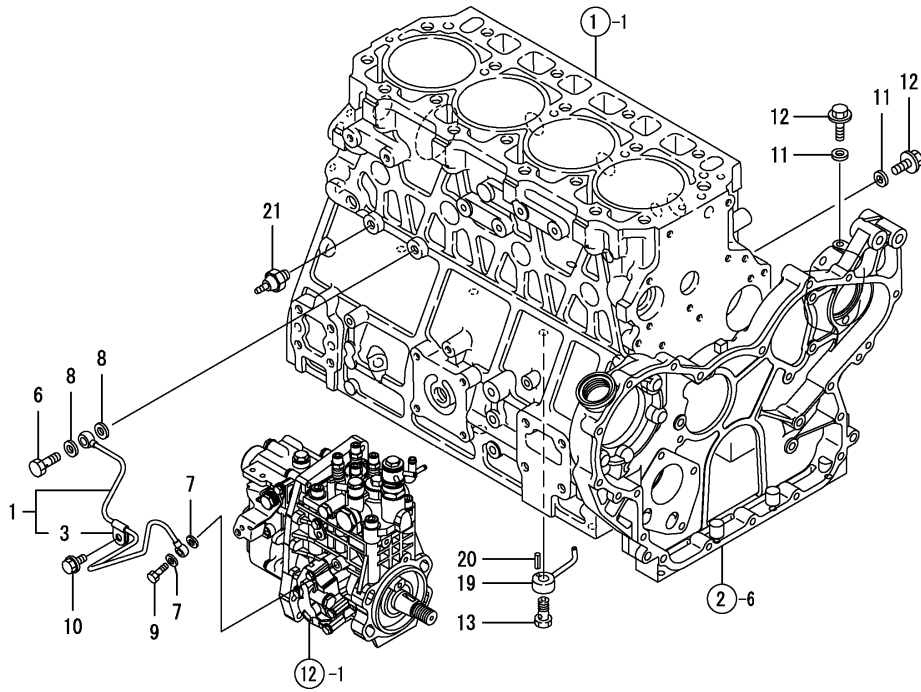


Fig.11. COOLING WATER SYSTEM

(A)=4TNNV106-GGE

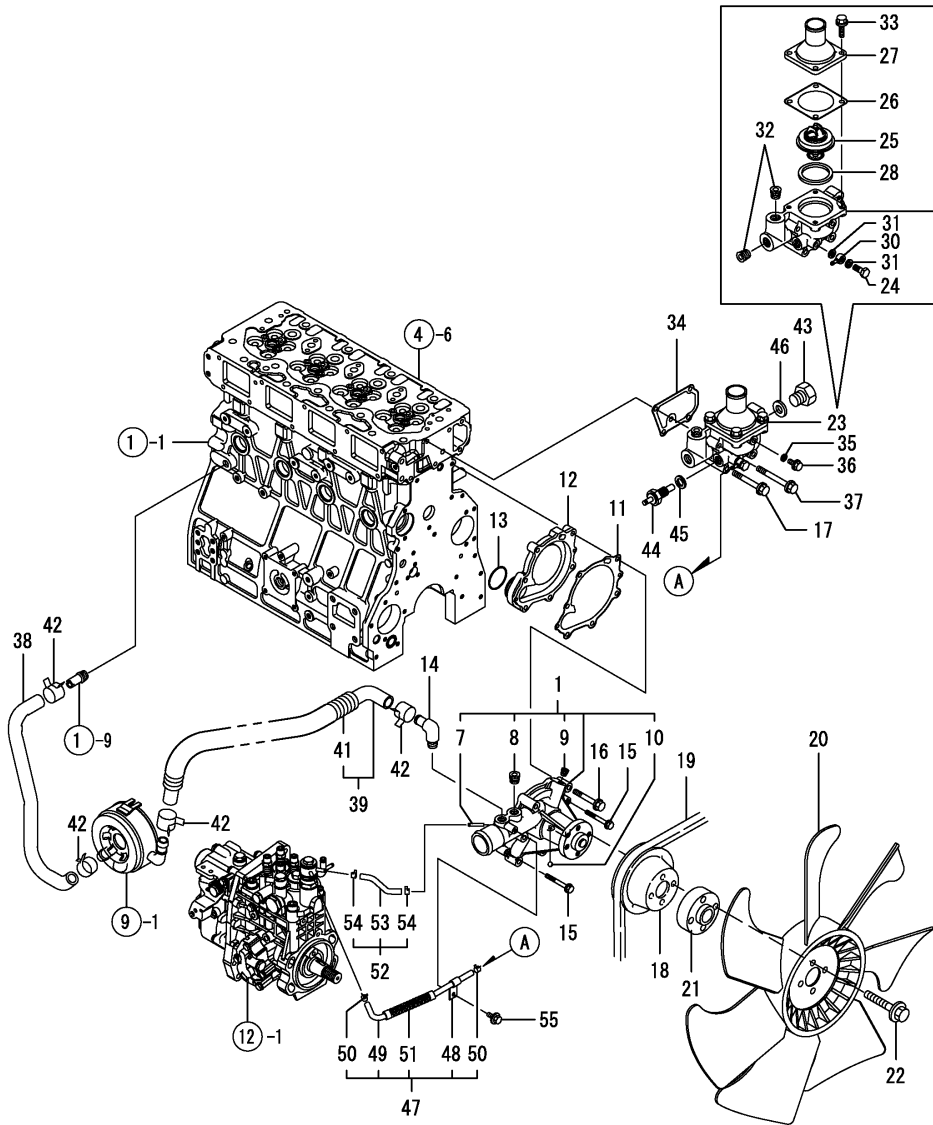
(B)=

(C)=

(D)=

(E)=

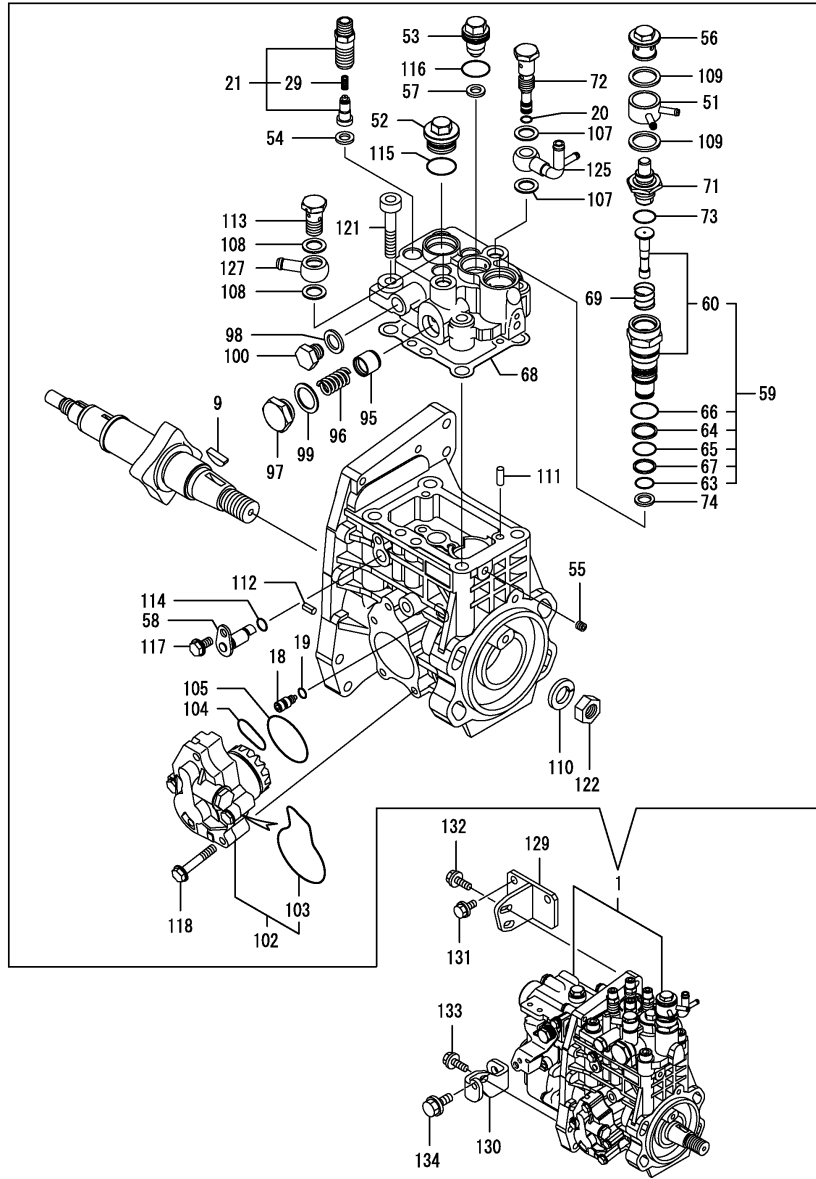
(F)=



REF.	LEV.	PARTS NO.	DESCRIPTION	Q'TY						I	R
				(A)	(B)	(C)	(D)	(E)	(F)		
1	1	123907-42000	PUMP ASSY, WATER	1							
7	2	119802-49113	JOINT	1							
8	2	129916-49740	PLUG, DRAIN R03	1							
9	2	23875-020000	PLUG PT1/4,STEEL	1							
10	2	24190-080001	BALL 1/4, STEEL	1							
11	1	123900-42050	PACKING	1							
12	1	123900-42070	CASE, WATER PUMP	1							
13	1	123900-42320	O-RING P40	1							
14	1	123907-49300	ELBOW R3/8	1							
15	1	26106-060502	BOLT M 6X 50 PLATED	2							
16	1	26106-080552	BOLT M 8X 55 PLATED	4							
17	1	26106-080702	BOLT M 8X 70 PLATED	2							
18	1	123900-42450	PULLEY, FAN	1							
19	1	25163-004801	VEE-BELT, 48 INCH	1							
20	1	123915-44741	FAN, COOLING	1							
21	1	123900-44761	SPACER	1							
22	1	26106-100452	BOLT M10X 45 PLATED	4							
23	1	123907-49800	CASE ASSY, THERMOSTAT	1							
24	2	105010-39140	BOLT, PIPE JOINT	1							
25	2	124610-48610	THERMOSTAT	1							
26	2	124610-49291	GASKET	1							
27	2	123962-49500	COVER	1							
28	2	123500-49550	GASKET	1							
30	2	23387-040800	JOINT 4- 8	1							
31	2	23414-080000	GASKET 8, ROUND	2							
32	2	23876-030000	PLUG PT3/8, SCREW	2							
33	2	26106-080252	BOLT M 8X 25 PLATED	4							
34	1	123900-49820	GASKET	1							
35	1	23414-080000	GASKET 8, ROUND	1							
36	1	26106-080122	BOLT M 8X 12 PLATED	1							
37	1	26106-080602	BOLT M 8X 60 PLATED	4							
38	1	123912-49031	PIPE, C.W.	1							
39	1	123910-49600	PIPE, C.W.	1							
41	2	123910-49610	PROTECTOR, CW-T	1							
42	1	23000-025000	CLAMP 25	4							
43	1	121450-42450	PLUG M16	1							
44	1	121250-44901	SWITCH, THERMO(110 C	1							
45	1	124465-44950	GASKET 16	1							
46	1	124465-44950	GASKET 16	1							
47	1	123945-49610	PIPE, C.W. A(MP4	1							
48	2	123945-49700	CLAMP, CW-T	1							
49	2	123907-49710	PIPE A, COOLING WATER	1							
50	2	124722-59050	CLAMP 9	2							
51	2	129486-59320	CORRUGATED TUBE	1							
52	1	123907-49620	PIPE, C.W. B(MP4	1							
53	2	123907-49720	PIPE B, COOLING WATER	1							
54	2	124722-59050	CLAMP 9	2							
55	1	26106-060122	BOLT M 6X 12 PLATED	1							



Fig.12. FUEL INJECTION PUMP



Remarks  
 (1) GOVERNOR ASSY(FIG.13) IS INCORPORATED IN THIS FUEL INJECTION PUMP.(REF.NO.1).

(A)=4TNV106-GGE

(B)=

(C)=

(D)=

(E)=

(F)=

REF.	LEV.	PARTS NO.	DESCRIPTION	Q'TY						I	R
				(A)	(B)	(C)	(D)	(E)	(F)		
1	1	723946-51310	INJECTON PUMP ASSY	1							1
9	2	144626-51090	KEY 5X19	1							
18	2	158600-51270	STOPPER	1							
19	2	158563-51281	O-RING	1							
20	2	158563-51281	O-RING	1							
21	2	129509-51390	SETTING, DELIVERY	4							W
(A=*2008.02.)											
I	29	3	158563-51330	SPRING	4						
	51	2	158553-51551	JOINT, COOLING WATER	1						
	52	2	158601-51550	PLUG	1						
	53	2	129907-51560	PLUG	1						
	54	2	158552-51570	PK(BARREL PLUG	4						
	55	2	158557-51570	PLUG	1						
	56	2	158601-51570	PLUG,WATER PUMP	1						
	57	2	129906-51580	PACKING, PLUG	1						
	58	2	158552-51580	LIFTER	1						
	59	2	119802-51590	TIMER SET	1						
	60	3	119802-51600	TIMER CMP	1						
	63	3	158553-51670	O-RING, 1011	1						
	64	3	119802-51680	BACKUP RING	1						
	65	3	119802-51690	O RING	1						
	66	3	24356-010200	PACKING, 1020	1						
	67	3	24372-000150	RING, BACKUP T2 P 15	1						
	68	2	158560-51600	PACKING, HEAD	1						
	69	2	158553-51630	SPRING,TIMER	1						
	71	2	158553-51640	ELEMENT, THERMO	1						
	72	2	158601-51650	JOINT	1						
	73	2	158553-51660	O-RING,P14	1						
	74	2	158553-51680	PACKING,TIMER	1						
	95	2	158601-51770	PISTON	1						
	96	2	158552-51781	DAMPER ASSY	1						
	97	2	158601-51790	PLUG	1						
	98	2	22190-120002	SEAL WASHER 12	1						
	99	2	22190-180002	SEAL WASHER 18	1						
	100	2	23887-120002	PLUG M12,HEX.	1						
	102	2	158552-52100	PUMP ASSY,FEED	1						
	103	3	158552-52500	O-RING(FEED P INNER	1						
	104	2	158552-52310	O-RING	1						
	105	2	158552-52400	O-RING 4E S42	1						
	107	2	22190-120002	SEAL WASHER 12	2						
	108	2	22190-120002	SEAL WASHER 12	2						
	109	2	22190-180002	SEAL WASHER 18	2						
	110	2	22217-180000	SPRING WASHER 18	1						
	111	2	22312-050140	PARALLEL PIN 5X14	2						
	112	2	22351-050010	SPRING PIN 5X10	2						
	113	2	23857-060000	JOINT BOLT 6,PIPE	1						
	114	2	24311-000070	O-RING 1A P-7.0	1						
	115	2	24356-010200	PACKING, 1020	1						
	116	2	24356-020210	O RING	1						
	117	2	26106-060102	BOLT 6X 10 PLATED	1						
	118	2	26106-060352	BOLT M 6X 35 PLATED	4						

N:Old  $\frac{Yes}{No}$  New, Q:Old  $\frac{No}{Yes}$  New, R:Old  $\frac{Yes}{Yes}$  New, S:Old  $\frac{No}{No}$  New, W:Add, Z:Discontinued, F:Interchangeable by set, K:Q'ty Change

++ CONTINUE ++

(C)Copy Rights YANMAR CO.,LTD.

Fig.12. FUEL INJECTION PUMP

(A)=4TNV106-GGE

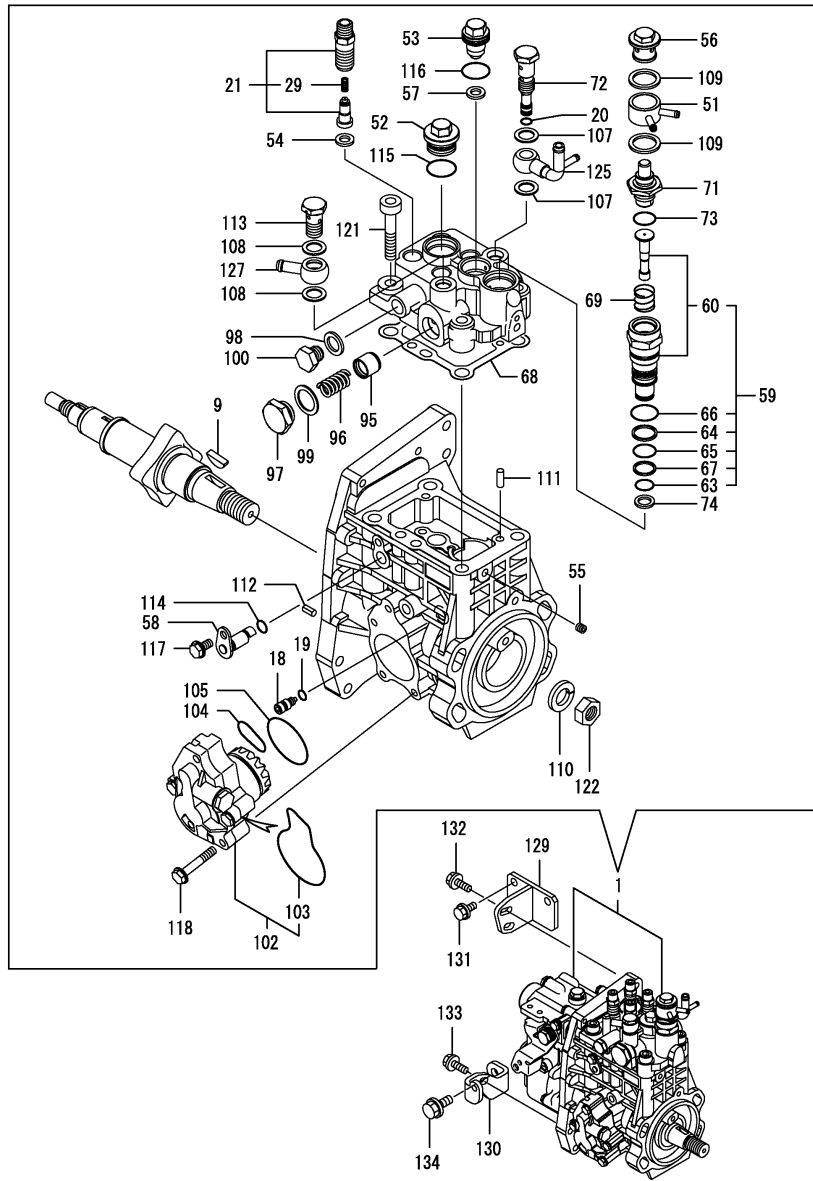
(B)=

(C)=

(D)=

(E)=

(F)=



REF.	LEV.	PARTS NO.	DESCRIPTION	QTY						I	R
				(A)	(B)	(C)	(D)	(E)	(F)		
121	2	26450-100452	BOLT M10X 45	4							
122	2	26776-180002	NUT M18,LOCK	1							
125	2	158552-51670	JOINT	1							
127	2	129916-59020	JOINT 12, PIPE	1							
129	1	123907-01950	RETAINER,MP4	1							
130	1	123907-01960	RETAINER,MP4	1							
131	1	26106-080162	BOLT M 8X 16 PLATED	2							
132	1	26106-080202	BOLT M 8X 20 PLATED	2							
133	1	26106-080202	BOLT M 8X 20 PLATED	1							
134	1	26106-100162	BOLT M10X 16 PLATED	1							

Remarks

(1) GOVERNOR ASSY(FIG.13) IS INCORPORATED IN THIS FUEL INJECTION PUMP.(REF.NO.1).

Fig.13. GOVERNOR

(A)=4TNV106-GGE

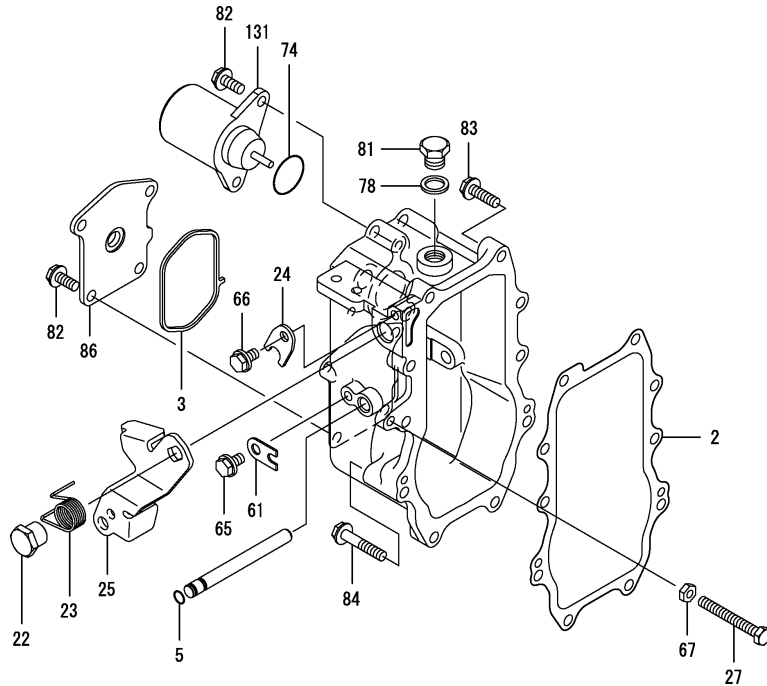
(B)=

(C)=

(D)=

(E)=

(F)=



REF.	LEV.	PARTS NO.	DESCRIPTION	QTY						I	R
				(A)	(B)	(C)	(D)	(E)	(F)		
2	2	158560-61050	PACKING, CASE	1							
3	2	158560-61071	PACKING	1							
5	2	129155-51280	O-RING S6	1							
22	2	129255-61410	NUT	1							
23	2	119807-61420	SPRING	1							
24	2	158560-61430	RETAINER	1							
25	2	129937-61440	LEVER, REGULATOR	1							
27	2	129155-61460	BOLT, IDLE LIMIT	1							
61	2	119660-61901	RETAINER, SHAFT	1							
65	2	26106-060102	BOLT 6X 10 PLATED	1							
66	2	26106-060102	BOLT 6X 10 PLATED	1							
67	2	26756-060002	LOCK NUT 6	1							
74	2	158552-61900	O-RING	1							
78	2	22190-160002	SEAL WASHER 16S	1							
81	2	23887-160002	PLUG 16,HEX.	1							
82	2	26106-060142	BOLT M 6X 14 PLATED	6							
83	2	26106-060252	BOLT M 6X 25 PLATED	8							
84	2	26106-060402	BOLT M 6X 40 PLATED	2							
86	2	129946-61061	COVER, CASE	1							
131	2	119653-77950	SOLENOID, STOP	1							

Remarks  
 \* THIS FIGURE(GOVERNOR ASSY)IS  
 INCORPORATED IN THE FUEL INJECTION  
 PUMP ASSY(FIG.12).

Fig.14. FUEL INJECTION VALVE

(A)=4TNV106-GGE

(B)=

(C)=

(D)=

(E)=

(F)=

REF.	LEV.	PARTS NO.	DESCRIPTION	QTY						I	R
				(A)	(B)	(C)	(D)	(E)	(F)		
1	1	723946-53100	FUEL INJECTOR VCH	4							
2	2	129933-53000	NOZZLE ASSY	4							
5	2	114250-53080	NUT, NOZZLE CASE	4							
6	2	123907-53100	HOLDER ASSY, NOZZLE	4							
9	2	114250-53120	SPRING, NOZZLE	4							
10	2	114250-53130	SEAT, NOZZLE SPRING	4							
11	2	114250-53140	PLATE, STOP	4							
12	2	114250-53210	PIN	8							
13	2	114250-53400	SHIM PACK	4							
25	1	123907-11601	PIPE SEAL	4							
26	1	122780-59100	RETAINER	4							
27	1	123472-59120	BRACKET	2							
28	1	123907-59719	SUPPORT, F.I.PIPE	1							
30	1	123907-59810	PIPE ASSY, INJECTION	1							
31	1	123907-59820	PIPE ASSY, INJECTION	1							
32	1	123907-59830	PIPE ASSY, INJECTION	1							
33	1	123907-59840	PIPE ASSY, INJECTION	1							
34	1	26106-060202	BOLT M 6X 20 PLATED	6							
35	1	26106-080202	BOLT M 8X 20 PLATED	1							

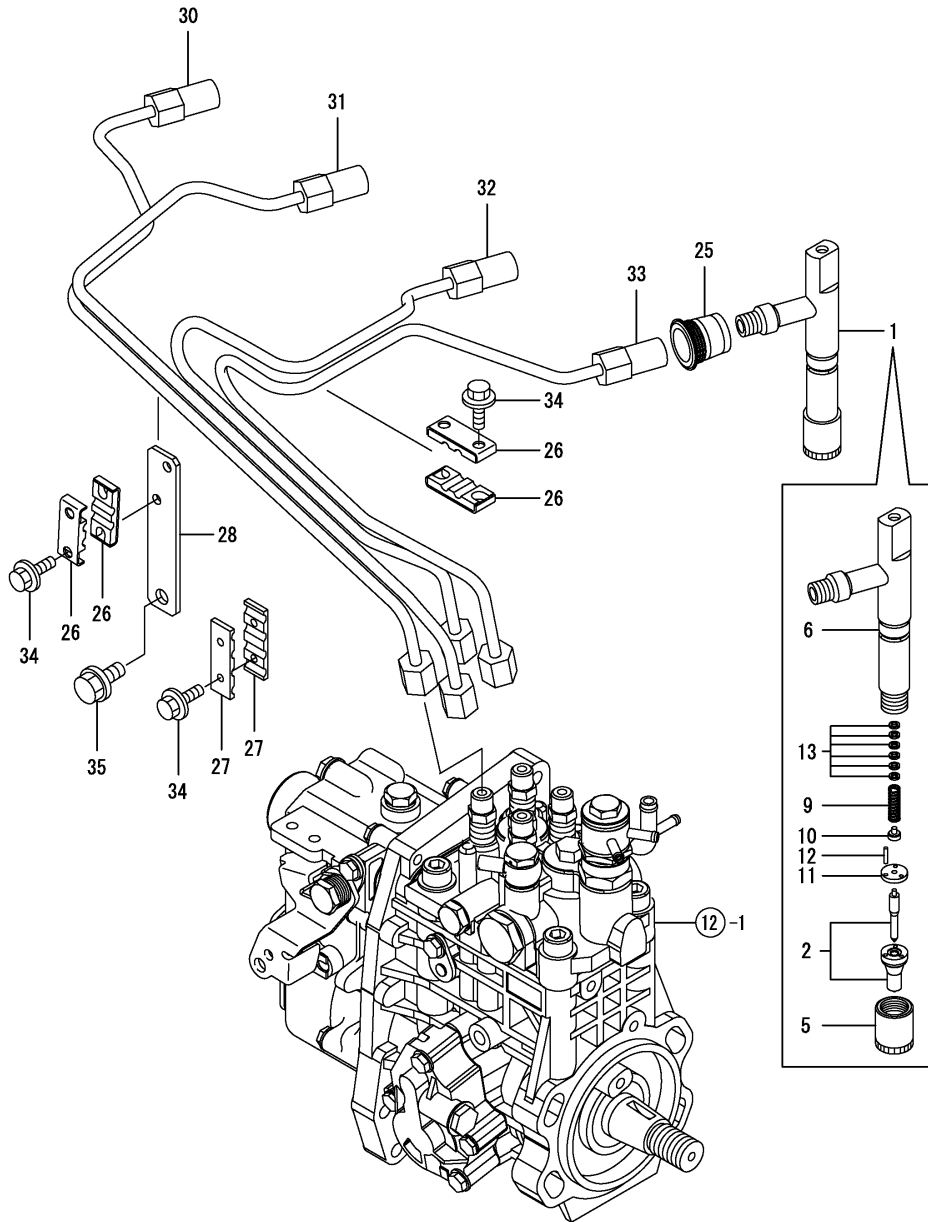


Fig.15. FUEL LINE

(A)=4TNV106-GGE

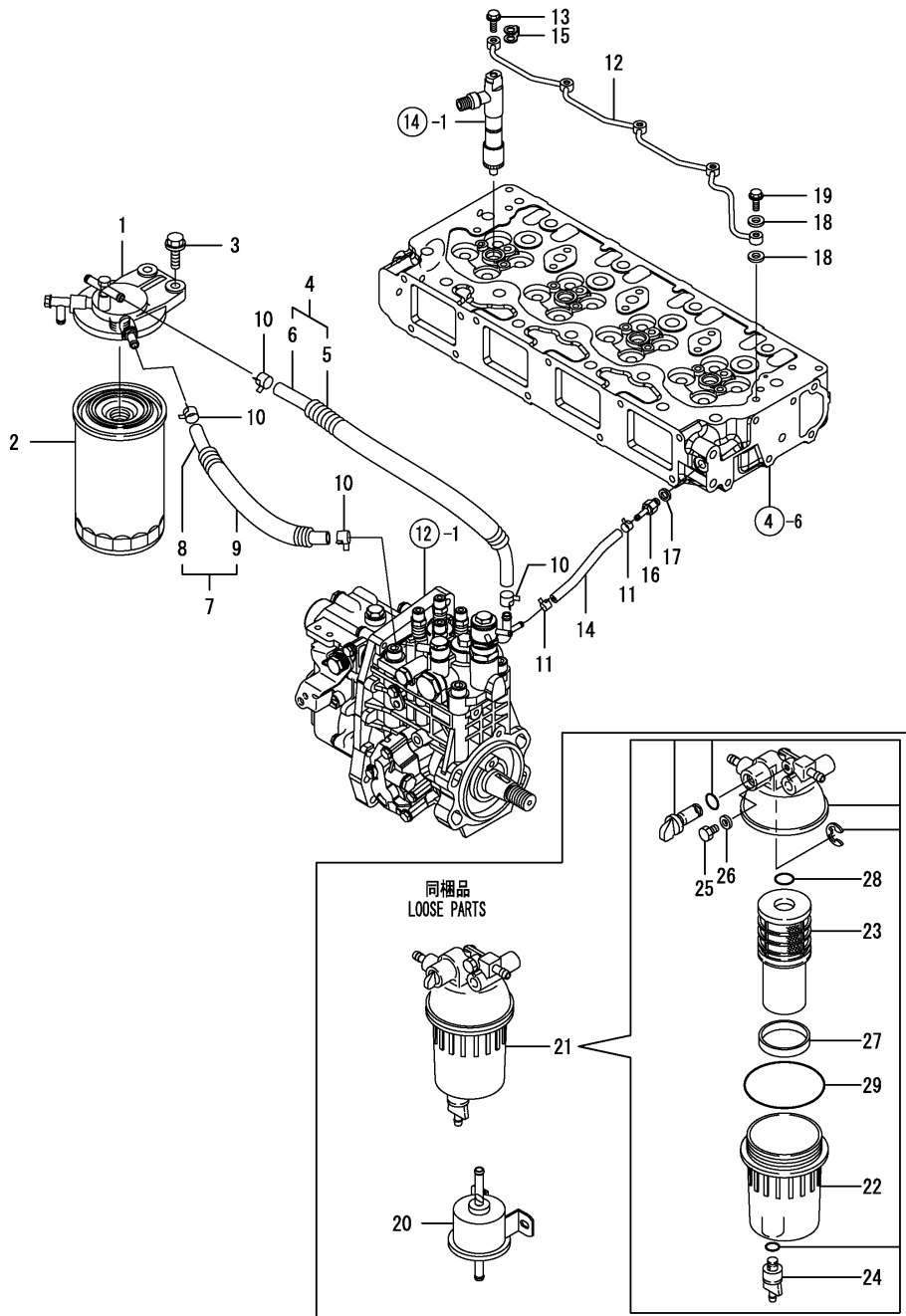
(B)=

(C)=

(D)=

(E)=

(F)=



REF.	LEV.	PARTS NO.	DESCRIPTION	QTY						I	R
				(A)	(B)	(C)	(D)	(E)	(F)		
1	1	129004-55612	BRACKET,FUEL FILTER	1							
2	1	129907-55801	FILTER, FUEL OIL	1							
3	1	26106-080302	BOLT M 8X 30 PLATED	2							
4	1	129957-59040	PIPE, FUEL	1							
5	2	119560-59110	PROTECTOR, FUEL PIPE	1							
6	2	129335-59090	PIPE,FUEL (D13XL500)	1							
7	1	119160-59010	PIPE ASSY, FUEL OIL	1							
8	2	105025-59530	PIPE,FUEL (D13XL400)	1							
9	2	129950-59221	TUBE	1							
10	1	23000-013000	CLAMP 13	4							
11	1	124066-59100	CLAMP 8	2							
12	1	123907-59140	PIPE ASSY,F.O.RETURN	1							
13	1	123907-59540	JOINT BOLT M6	4							
14	1	119000-59550	PIPE, FUEL RETURN	1							
15	1	123907-59550	PACKING,FUEL RETURN	4							
16	1	123907-59560	HOSE JOINT 4	1							
17	1	22190-080002	SEAL WASHER 8S	1							
18	1	23414-080000	GASKET 8, ROUND	2							
19	1	23857-030000	JOINT BOLT 3	1							
20	1	119225-52102	PUMP ASSY, FUEL FEED	1							
21	1	129242-55700	SEPARATOR ASSY	1							
22	2	129242-55720	CUP(CLEAR	1							
23	2	129242-55730	ELEMENT	1							
24	2	129242-55740	PLUG,DRAIN	1							
25	2	129242-55750	PLUG,BREATHER	1							
26	2	129242-55760	PACKING,BREATHER	1							
27	2	129242-55770	FLOAT	1							
28	2	24311-000160	O-RING 1A P-16.0	1							
29	2	24321-000750	O-RING 1A G-75.0	1							

Fig.16. STARTING MOTOR

(A)=4TNV106-GGE

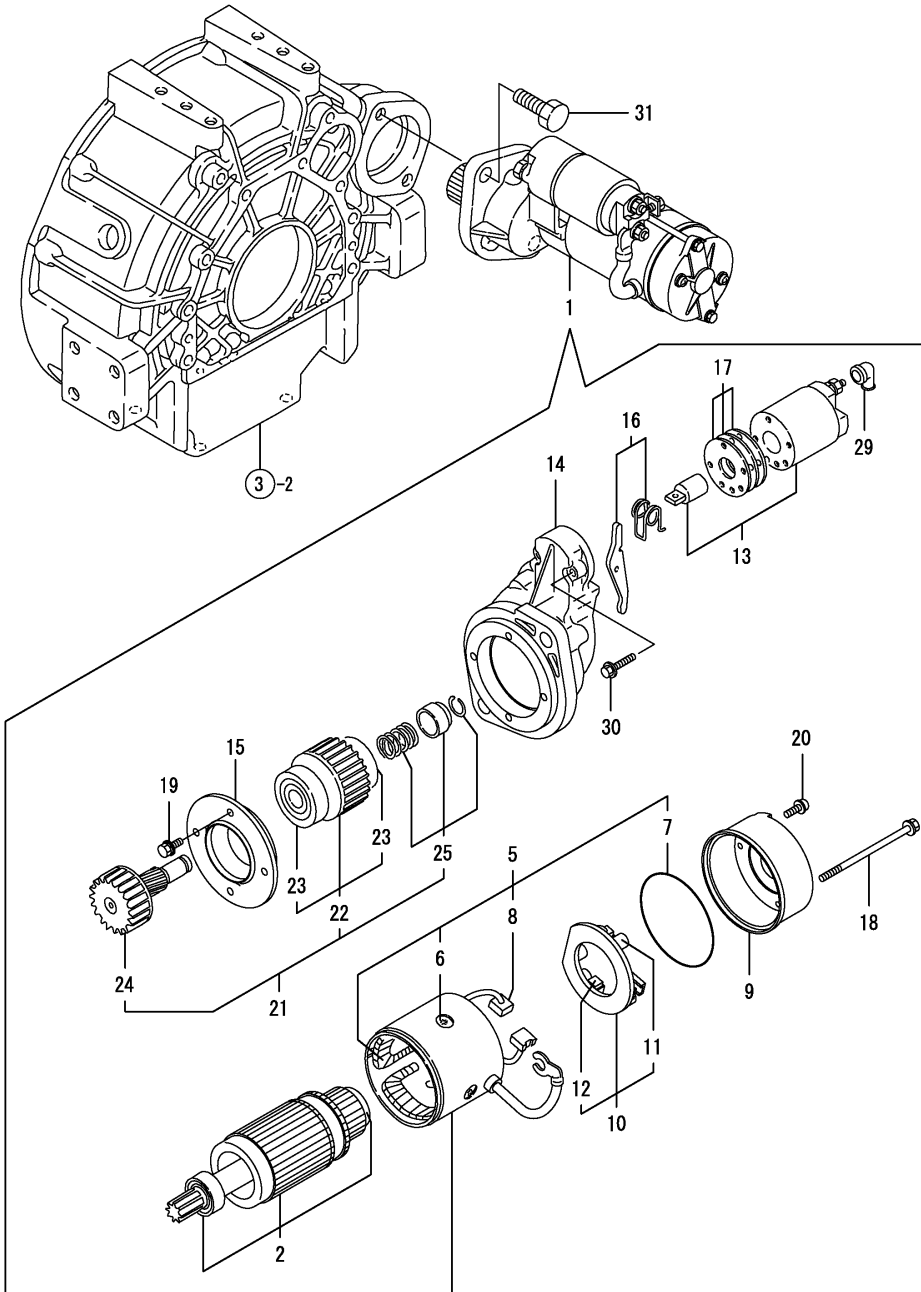
(B)=

(C)=

(D)=

(E)=

(F)=



REF.	LEV.	PARTS NO.	DESCRIPTION	QTY						I	R
				(A)	(B)	(C)	(D)	(E)	(F)		
1	1	129940-77010	STARTER 12V,3KW	1							
2	2	129940-77100	ARMATURE ASSY	1							
5	2	129940-77130	COIL ASSY, FIELD	1							
6	3	129940-77140	SCREW, POLE CORE SET	4							
7	3	129940-77150	O-RING	1							
8	3	129940-77160	BRUSH (+)	2							
9	2	129940-77170	COVER, REAR	1							
10	2	129940-77180	HOLDER, BRUSH	1							
11	3	129940-77190	SPRING, BRUSH	1							
12	3	129940-77200	BRUSH (-)	2							
13	2	129940-77210	SWITCH ASSY,MAGNETIC	1							
14	2	129940-77220	HOUSING, GEARS	1							
15	2	129940-77230	RETAINER, BEARING	1							
16	2	129940-77240	SHIFT LEVER SET	1							
17	2	129940-77250	COVER ASSY, DUST	1							
18	2	129940-77260	THROUGHT BOLT	2							
19	2	129940-77270	BOLT M6X 20	4							
20	2	129940-77280	SCREW M4X 10	2							
21	2	123900-77510	PINION ASSY	1							
22	3	123900-77520	CLUTCH ASSY	1							
23	4	X2240610100	BALL BEARING (3)	2							
24	3	123900-77540	SHAFT, PINION	1							
25	3	119131-77550	STOPPER KIT, PINION	1							
29	2	121254-77810	TERMINAL COVER	1							
30	2	114371-79070	BOLT M 6X 37	2							
31	1	26116-120252	BOLT M12X 25 PLATED	2							

Fig.17. GENERATOR

(A)=4TNV106-GGE

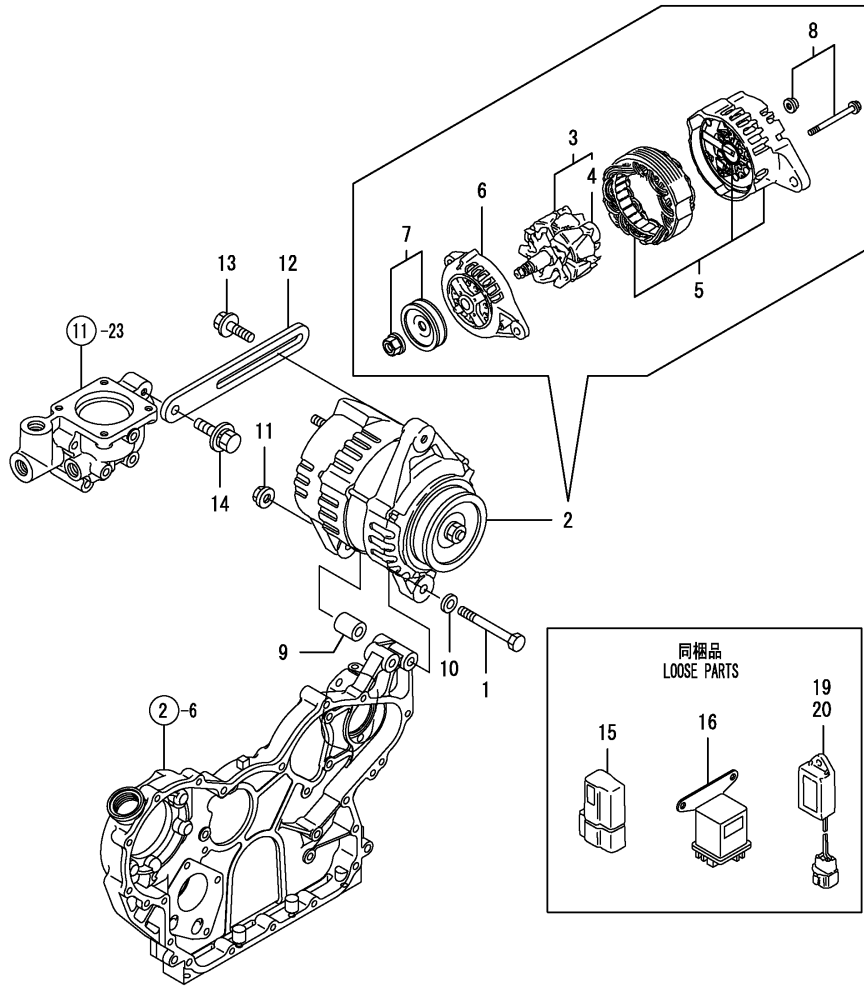
(B)=

(C)=

(D)=

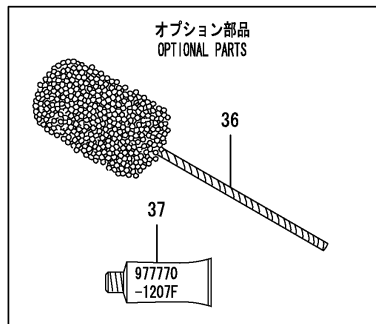
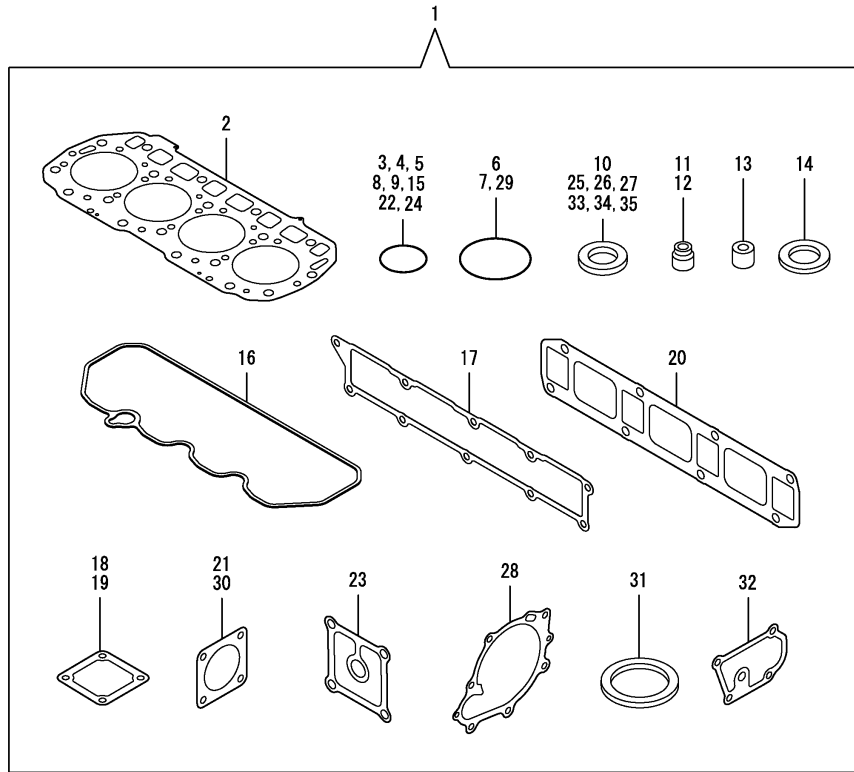
(E)=

(F)=



REF.	LEV.	PARTS NO.	DESCRIPTION	QTY						I	R
				(A)	(B)	(C)	(D)	(E)	(F)		
1	1	123945-77200	BOLT M10X120 (GEN	1							
2	1	123900-77210	GENERATOR(12V-60A	1							
3	2	123900-77700	ROTOR ASSY	1							
4	3	129612-77710	BALL BEARING	1							
5	2	123900-77720	REAR BRACKET ASSY	1							
6	2	123900-77730	FRONT BRACKET ASSY	1							
7	2	123900-77740	PULLEY	1							
8	2	123900-77750	SCREW KIT	1							
9	1	123900-77340	DISTANCE PIECE	1							
10	1	22137-100000	WASHER 10,POLISHED	1							
11	1	26306-100002	NUT	1							
12	1	123900-77330	ADJUSTER(BELT	1							
13	1	119810-77340	BOLT	1							
14	1	119005-77350	BOLT (M8 X L25)	1							
15	1	119643-66900	DIODE	1							
16	1	119650-77910	RELAY, GROW	1							
19	1	128300-77920	TIMER	1							
20	1	129211-77920	TIMER	1							

Fig.18. GASKET SET



Remarks  
(1) OPTIONAL PART.

OCW10-G22800 18. GASKET SET

(A)=4TNNV106-GGE

(B)=

(C)=

(D)=

(E)=

(F)=

REF.	LEV.	PARTS NO.	DESCRIPTION	Q'TY						I	R
				(A)	(B)	(C)	(D)	(E)	(F)		
1	1	723900-92730	GASKET SET(NON-ASB.)	1							1
2	2	123907-01350	GASKET, HEAD	1							
3	2	129900-32030	O-RING P20	1							
4	2	129900-32040	O-RING P14	1							
5	2	24311-000110	O-RING 1A P-11.0	1							
6	2	24321-000850	O-RING 1A G-85.0	1							
7	2	24351-030750	PACKING, 3075	1							
8	2	24311-000320	O-RING 1A P-32.0	2							
9	2	24341-000240	O-RING 1A S-24.0	1							
10	2	22190-220002	SEAL WASHER 22S	1							
11	2	119803-11340	SEAL, VALVE STEM(EXH)	8							
12	2	124160-11340	SEAL, VALVE STEM(INT)	8							
13	2	119802-11870	PROTECTOR, NOZZLE	4							
14	2	119625-11880	SEAT, NOZZLE	4							
15	2	24311-000120	O-RING 1A P 12.0	8							
16	2	123907-11311	PACKING,BONNET	1							
17	2	123907-12110	PACKING(INT.MANIFOLD)	1							
18	2	123900-77020	GASKET,AIR HEATER	1							
19	2	123900-77030	GASKET,AIR HEATER	1							
20	2	123907-13110	PK(EXH)	1							
21	2	128300-13230	PACKING	1							
22	2	24341-000530	O-RING 1A S-53.0	1							
23	2	123900-33060	PACKING	1							
24	2	24314-000180	O-RING 4C P-18.0	1							
25	2	23414-080000	GASKET 8, ROUND	7							
26	2	23414-100000	GASKET 10, ROUND	2							
27	2	22190-080002	SEAL WASHER 8S	3							
28	2	123900-42050	PACKING	1							
29	2	123900-42320	O-RING P40	1							
30	2	124610-49291	GASKET	1							
31	2	123500-49550	GASKET	1							
32	2	123900-49820	GASKET	1							
33	2	124465-44950	GASKET 16	1							
34	2	129150-49360	GASKET 10	1							
35	2	123907-59550	PACKING,FUEL RETURN	4							
36	1	129400-92450	FLEX HONE	1							1
37	1	977770-1207F	GASKET.LIQUID	1							1



## Part Number Index

All parts are stipulated in the order of part numbers.

(Depending on the area in which the part is used.)

This index will display the location of the part according to each part number.

## PARTS No. INDEX

PARTS No.	Fig.	Ref.No.
105010-39140	11	24
105025-59530	15	8
114250-39450	10	21
114250-53080	14	5
114250-53120	14	9
114250-53130	14	10
114250-53140	14	11
114250-53210	14	12
114250-53400	14	13
114371-79070	16	30
119000-59550	15	14
119005-35151	9	10
119005-77350	17	14
119107-13190	6	3
119131-77550	16	25
119160-59010	15	7
119173-22300	8	21
119174-01200	1	28
119225-52102	15	20
119560-59110	15	5
119575-01750	3	5
119620-01750	3	5 -1
119620-49290	9	6
119625-11880	4	33
	18	14
119640-01640	3	10
119640-61400	4	66
119643-66900	17	15
119650-77910	17	16
119653-77950	13	131
119660-61901	13	61
119802-11870	4	32
	18	13
119802-49113	11	7
119802-51590	12	59
119802-51600	12	60
119802-51680	12	64
119802-51690	12	65
119803-11340	4	21
	18	11
119807-61420	13	23
119810-77340	17	13
121023-01551	2	28
121023-26070	2	9
121250-44901	11	44
121254-77810	16	29
121450-42450	11	43
121520-34810	9	9
121850-21130	8	11
121850-21290	8	4

PARTS No.	Fig.	Ref.No.
121850-21920	8	5
121851-11970	1	9
122780-59100	14	26
123472-59120	14	27
123500-49550	11	28
	18	31
123900-01710	3	9
123900-01740	2	4
123900-02020	1	5
123900-02340	1	33
123900-02410	1	8
123900-02930	1	25
123900-02940	1	36
123900-07900	4	1
123900-07910	4	2
123900-14200	7	1
123900-21000	8	1
123900-23000	8	23
123900-23200	8	26
123900-23600	8	27
123900-23610	8	30
123900-23910	8	29
123900-25060	7	9
123900-25120	7	10
123900-32001	2	7
123900-33060	9	4
	18	23
123900-35004	9	11
123900-39650	10	19
123900-42050	11	11
	18	28
123900-42070	11	12
123900-42320	11	13
	18	29
123900-42450	11	18
123900-44761	11	21
123900-49820	11	34
	18	32
123900-77020	5	5
	18	18
123900-77030	5	6
	18	19
123900-77210	17	2
123900-77330	17	12
123900-77340	17	9
123900-77500	5	7
123900-77510	16	21
123900-77520	16	22
123900-77540	16	24
123900-77700	17	3

PARTS No.	Fig.	Ref.No.
123900-77720	17	5
123900-77730	17	6
123900-77740	17	7
123900-77750	17	8
123907-01350	1	29
	18	2
123907-01540	2	6
123907-01950	12	129
123907-01960	12	130
123907-03010	4	57
123907-03060	4	58
123907-03070	4	59
123907-03100	4	60
123907-03110	4	61
123907-03120	4	62
123907-03140	4	63
123907-11100	4	17
123907-11110	4	18
123907-11120	4	19
123907-11180	4	20
123907-11250	4	38
123907-11260	4	39
123907-11270	4	40
123907-11280	4	41
123907-11311	4	65
	18	16
123907-11321	4	56
123907-11341	4	37
123907-11390	4	52
123907-11510	4	23
123907-11550	4	5
123907-11601	14	25
123907-11650	4	42
123907-11660	4	46
123907-11700	4	6
123907-11800	4	30
123907-11810	4	31
123907-11820	4	27
123907-11830	4	26
123907-11910	4	34
123907-11920	4	50
123907-11950	4	35
123907-12100	5	1
123907-12110	5	2
	18	17
123907-13110	6	1
	18	20
123907-13120	6	2
123907-13710	6	4
123907-13820	6	5

PARTS No.	Fig.	Ref.No.
123907-14400	7	2
123907-14580	7	3
123907-22050	8	17
123907-22081	8	15
123907-25909	7	15
123907-39061	10	1
123907-39500	10	3
123907-42000	11	1
123907-49300	11	14
123907-49620	11	52
123907-49710	11	49
123907-49720	11	53
123907-49800	11	23
123907-53100	14	6
123907-59140	15	12
123907-59540	15	13
123907-59550	15	15
	18	35
123907-59560	15	16
123907-59719	14	28
123907-59810	14	30
123907-59820	14	31
123907-59830	14	32
123907-59840	14	33
123910-01620	3	2
123910-01690	3	4
123910-33011	9	1
123910-49600	11	39
123910-49610	11	41
123912-33040	9	3
123912-33050	9	2
123912-33100	9	5
123912-49031	11	38
123915-21590	8	12
123915-44741	11	20
123945-49610	11	47
123945-49700	11	48
123945-77200	17	1
123946-01780	2	3
123946-01790	3	8
123946-21660	8	9
123962-49500	11	27
123982-34801	9	8
124066-59100	15	11
124160-01751	2	26
	4	55
124160-11340	4	22
	18	12
124160-11360	4	69
124160-39140	10	6

## PARTS No. INDEX

PARTS No.	Fig.	Ref.No.
124465-44950	11	45
		46
	18	33
124610-12580	5	4
124610-48610	11	25
124610-49291	11	26
	18	30
124722-59050	11	50
		54
127410-21480	8	14
128300-13230	6	7
	18	21
128300-77920	17	19
129004-55612	15	1
129100-01580	3	1
129150-02450	7	4
129150-11230	4	44
		48
129150-11750	4	25
		45
		49
129150-49360	18	34
129155-51280	13	5
129155-61460	13	27
129211-77920	17	20
129242-55700	15	21
129242-55720	15	22
129242-55730	15	23
129242-55740	15	24
129242-55750	15	25
129242-55760	15	26
129242-55770	15	27
129255-61410	13	22
129335-59090	15	6
129400-92450	18	36
129486-59320	11	51
129509-51390	12	21
129612-77710	17	4
129792-39410	10	13
129900-14100	7	6
129900-21200	8	3
129900-32030	2	10
	18	3
129900-32040	2	11
	18	4
129906-51580	12	57
129907-51560	12	53
129907-55801	15	2
129916-21610	8	7
129916-49740	11	8

PARTS No.	Fig.	Ref.No.
129916-59020	12	127
129933-53000	14	2
129937-61440	13	25
129940-77010	16	1
129940-77100	16	2
129940-77130	16	5
129940-77140	16	6
129940-77150	16	7
129940-77160	16	8
129940-77170	16	9
129940-77180	16	10
129940-77190	16	11
129940-77200	16	12
129940-77210	16	13
129940-77220	16	14
129940-77230	16	15
129940-77240	16	16
129940-77250	16	17
129940-77260	16	18
129940-77270	16	19
129940-77280	16	20
129946-61061	13	86
129950-59221	15	9
129953-25300	7	14
129957-59040	15	4
129960-21640	8	8
144626-51090	12	9
158552-51570	12	54
158552-51580	12	58
158552-51670	12	125
158552-51781	12	96
158552-52100	12	102
158552-52310	12	104
158552-52400	12	105
158552-52500	12	103
158552-61900	13	74
158553-51551	12	51
158553-51630	12	69
158553-51640	12	71
158553-51660	12	73
158553-51670	12	63
158553-51680	12	74
158557-51570	12	55
158560-51600	12	68
158560-61050	13	2
158560-61071	13	3
158560-61430	13	24
158563-51150	7	16
158563-51281	12	19
		20

PARTS No.	Fig.	Ref.No.
158563-51330	12	29
158600-51270	12	18
158601-51550	12	52
158601-51570	12	56
158601-51650	12	72
158601-51770	12	95
158601-51790	12	97
171051-01921	1	4
723900-01580	2	1
723900-02800	1	30
723900-92730	18	1
723907-01560	1	1
723907-22900	8	32
723907-22950	8	34
723946-51310	12	1
723946-53100	14	1
977770-1207F	18	37
X2240610100	16	23

PARTS No.	Fig.	Ref.No.
-----------	------	---------



***YANMAR CO.,LTD.***