

PARTS CATALOGUE

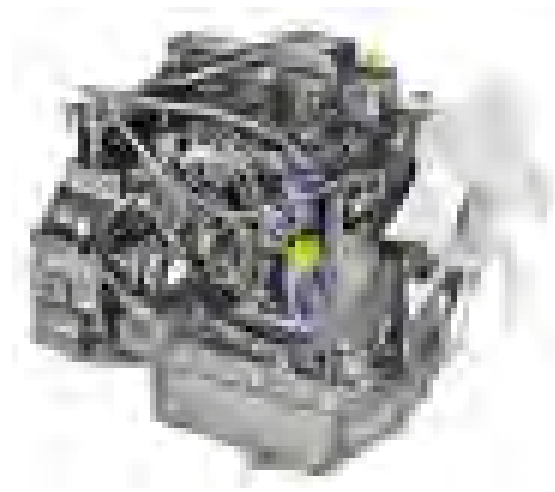
RESERVDELS KATALOG

ERSATZTEIL KATALOG

CATALOGUE DE PIECES

YANMAR
YANMAR DIESEL ENGINE
TNV SERIES

3TNV76-GGE



CONTENTS

Fig.No. GROUP NAME

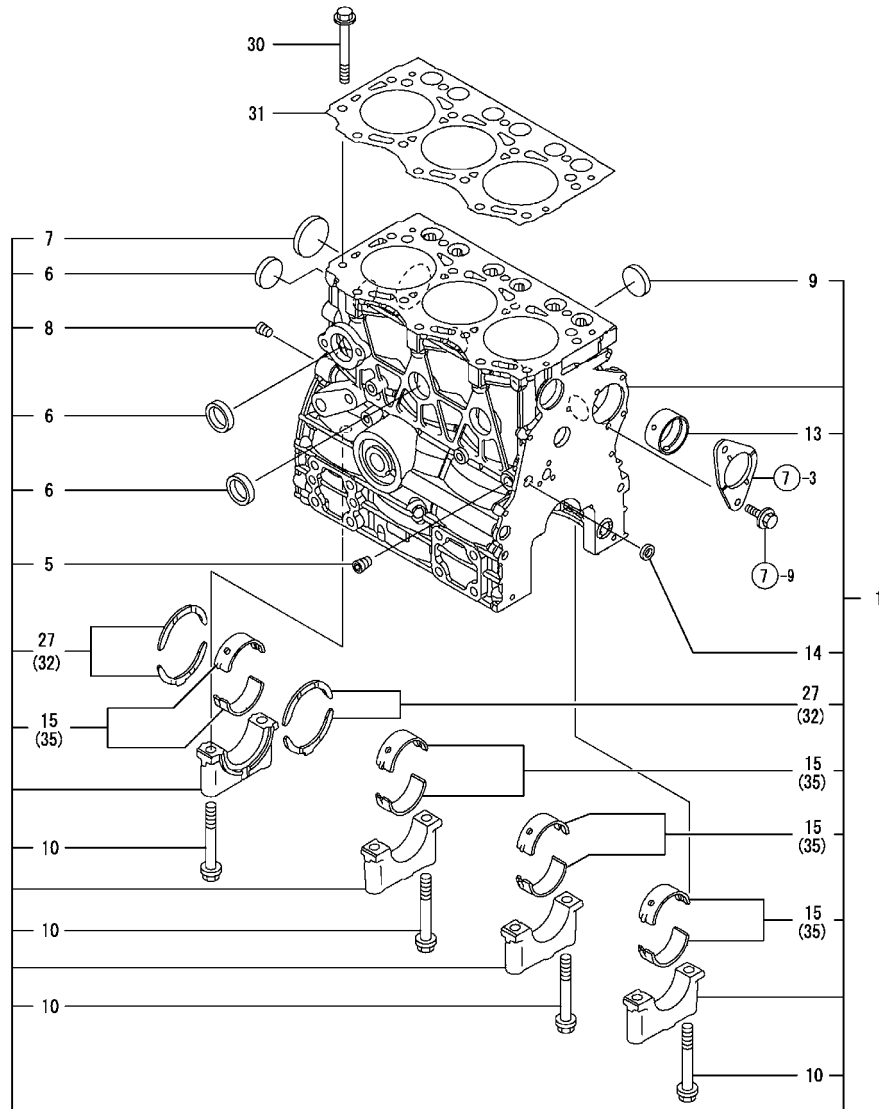
ENGINE SECTION

- 1. CYLINDER BLOCK**
- 2. GEAR HOUSING**
- 3. FLYWHEEL HOUSING & OIL SUMP**
- 4. CYLINDER HEAD & BONNET**
- 5. AIR CLEANER**
- 6. EXHAUST MANIFOLD & SILENCER**
- 7. CAMSHAFT & DRIVING GEAR**
- 8. CRANKSHAFT & PISTON**
- 9. LUB.OIL SYSTEM**
- 10. COOLING WATER SYSTEM**
- 11. FUEL INJECTION PUMP**
- 12. GOVERNOR**
- 13. FUEL INJECTION PUMP**
- 14. GOVERNOR**
- 15. FUEL INJECTION VALVE**
- 16. FUEL LINE**
- 17. STARTING MOTOR**
- 18. GENERATOR**
- 19. GASKET SET**

Fig.1. CYLINDER BOLCK

(A)=3TNV76-NBK (D)=
 (B)=3TNV76-GGE (E)=
 (C)=3TNV76-HGE (F)=

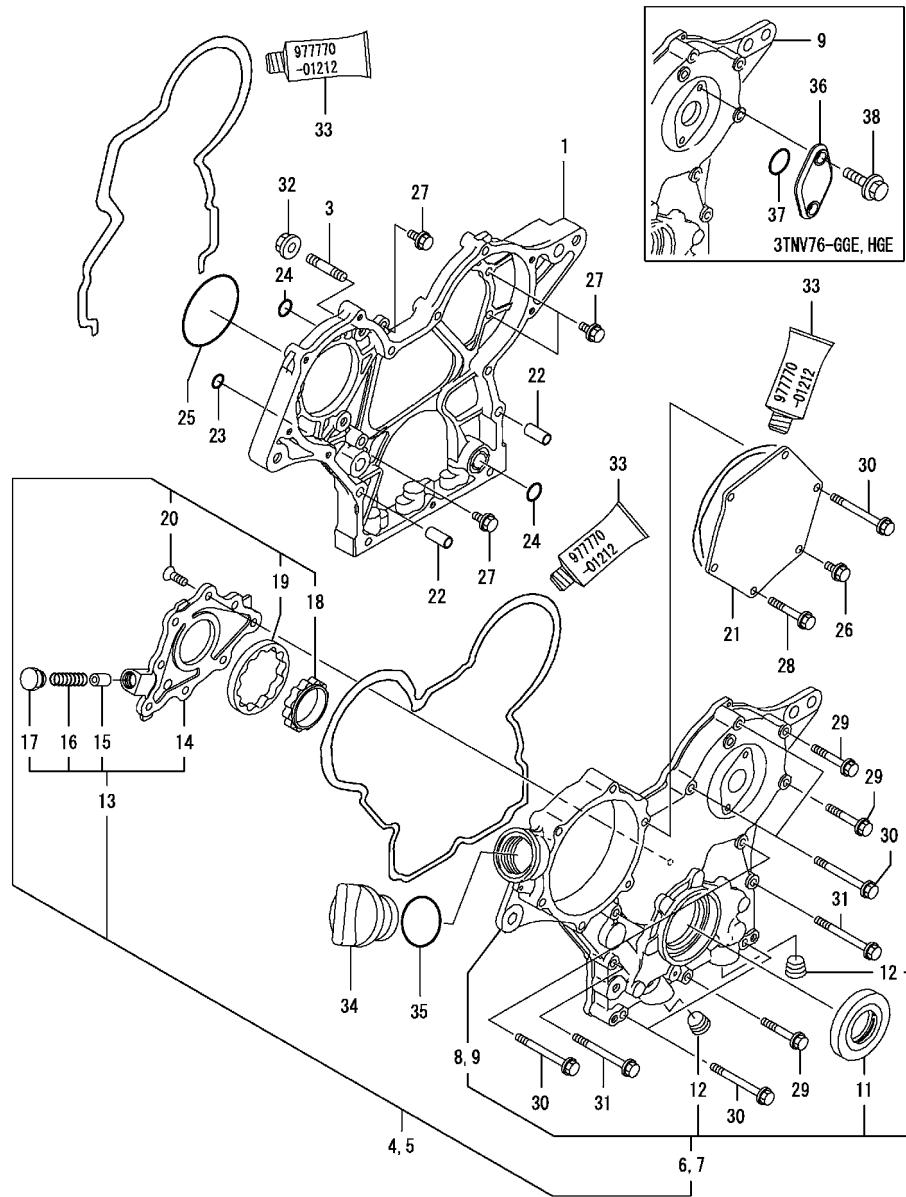
REF.	LEV.	PARTS NO.	DESCRIPTION	QTY						I	R
				(A)	(B)	(C)	(D)	(E)	(F)		
1	1	719717-01560	BLOCK ASSY, CYLINDER	1	1	1					
5	2	124060-01050	PLUG PT1/8	1	1	1					
6	2	105311-01090	PLUG 30 (SUS)	4	4	4					
7	2	119623-01250	PLUG 45	1	1	1					
8	2	124160-01910	PLUG PT1/4	1	1	1					
9	2	119285-01990	PLUG 25	3	3	3					
10	2	119620-02020	BOLT	8	8	8					
13	2	119717-02410	BUSH, CAMSHAFT	1	1	1					
14	2	27241-120000	PLUG 12	1	1	1					
15	2	719717-02900	MAIN BEARING SET	4	4	4					2
27	2	119717-02930	BEARING, THRUST	2	2	2					
30	1	119810-01200	BOLT, CYL. HEAD	14	14	14					
31	1	119717-01330	GASKET, CYL.HEAD	1	1	1					
32	1	119810-02940	BEARING,THRUST .25OS	2	2	2					1
35	1	719717-02910	MAIN METAL US=0.25	4	4	4					3



Remarks
 (1) OVER-SIZE(O.S=0.25)PART.
 (2) REPAIR PART.
 (3) UNDER-SIZE(U.S=0.25)PART.

Fig.2. GEAR HOUSING

(A)=3TNV76-NBK (D)=
 (B)=3TNV76-GGE (E)=
 (C)=3TNV76-HGE (F)=

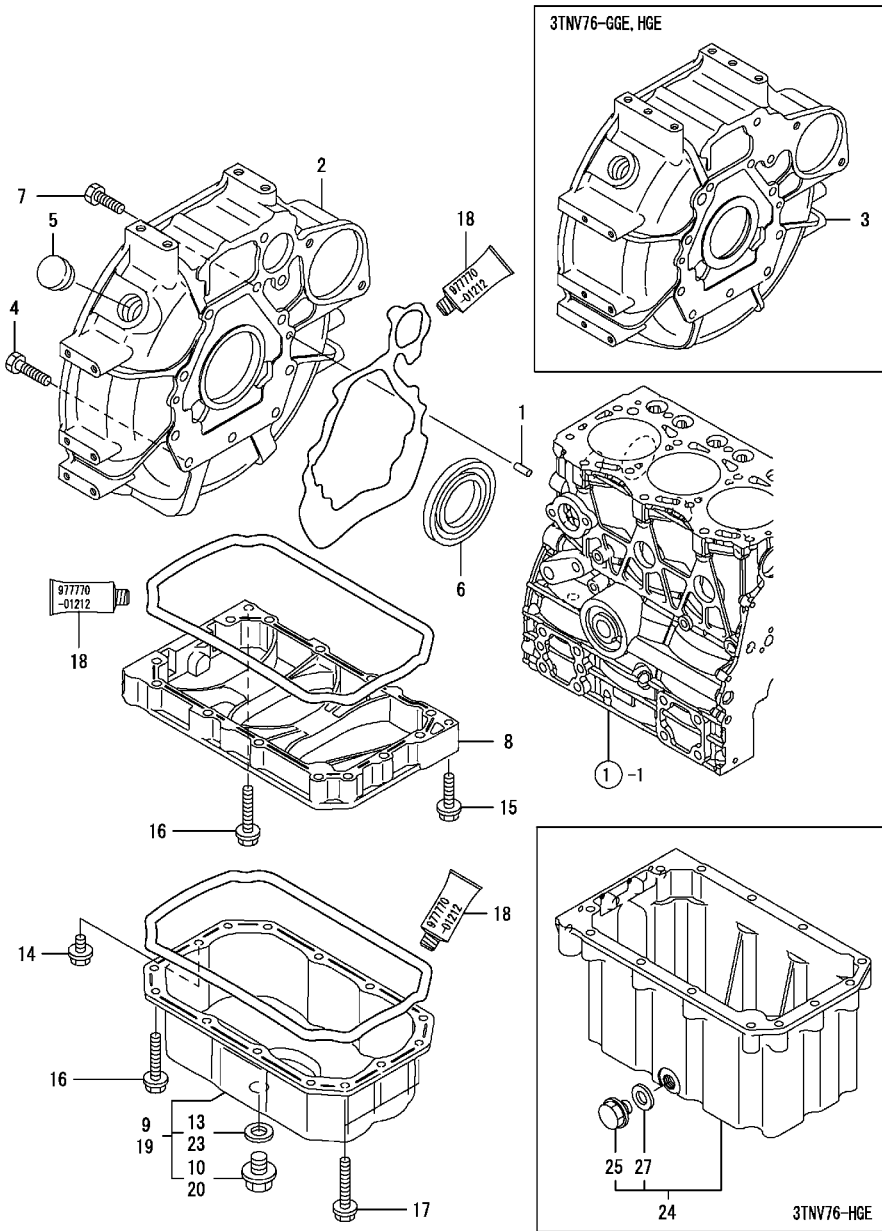


REF.	LEV.	PARTS NO.	DESCRIPTION	QTY						I	R
				(A)	(B)	(C)	(D)	(E)	(F)		
1	1	119717-01501	CASE, GEAR	1	1	1					
3	1	119717-01570	BOLT, STUD M8	3	3	3					
4	1	119717-01590	COVER ASSY, GEAR CASE	1							
5	1	119744-01590	COVER ASSY, GEAR CASE		1	1					
6	2	719717-01500	COVER ASSY, GEAR CASE	1							
7	2	719744-01500	COVER ASSY, GEAR CASE		1	1					
8	3	119717-01521	COVER, GEAR CASE	1							
9	3	119744-01521	COVER, GEAR CASE		1	1					
11	3	119620-01800	SEAL, OIL	1	1	1					
12	3	23876-030000	PLUG PT3/8, SCREW	2	2	2					
13	2	119717-32100	COVER ASSY, PUMP	1	1	1					
14	3	119717-32080	COVER, LUB.OIL PUMP	1	1	1					
15	3	129900-32130	VALVE, RELIEF	1	1	1					
16	3	129001-32320	SPRING	1	1	1					
17	3	129001-32330	PLUG	1	1	1					
18	2	119717-32110	ROTOR, INNER	1	1	1					
19	2	119717-32120	ROTOR, OUTER	1	1	1					
20	2	119802-32130	SCREW, M6X16	8	8	8					
21	1	119717-01750	COVER, PUMP TIMING	1	1	1					
22	1	119660-01911	PIPE, KNOCK	4	4	4					
23	1	119624-32040	O-RING P 12.0	1	1	1					
24	1	119717-32050	O-RING, P17.0	3	3	3					
25	1	121850-51960	O-RING, F.I.PUMP	1	1	1					
26	1	26106-060122	BOLT M 6X 12 PLATED	1	1	1					
27	1	26106-060162	BOLT M 6X 16 PLATED	4	4	4					
28	1	26106-060402	BOLT M 6X 40 PLATED	4	4	4					
29	1	26106-060402	BOLT M 6X 40 PLATED	3	3	3					
30	1	26106-060602	BOLT M 6X 60 PLATED	7	7	7					
31	1	26106-060652	BOLT M 6X 65 PLATED	2	2	2					
32	1	26306-080002	NUT	3	3	3					
33	1	977770-01212	GASKET, LIQUID	1	1	1					1
34	1	124160-01751	COVER, FILLER	1	1	1					
35	1	24311-000320	O-RING 1A P-32.0	1	1	1					
36	1	121023-01550	COVER, BLIND		1	1					
37	1	24341-000240	O-RING 1A S-24.0		1	1					
38	1	26106-060162	BOLT M 6X 16 PLATED		2	2					

Remarks
 (1) OPTIONAL PART.

Fig.3. FLYWHEEL HOUSING & OIL SUMP

(A)=3TNV76-NBK (D)=
 (B)=3TNV76-GGE (E)=
 (C)=3TNV76-HGE (F)=

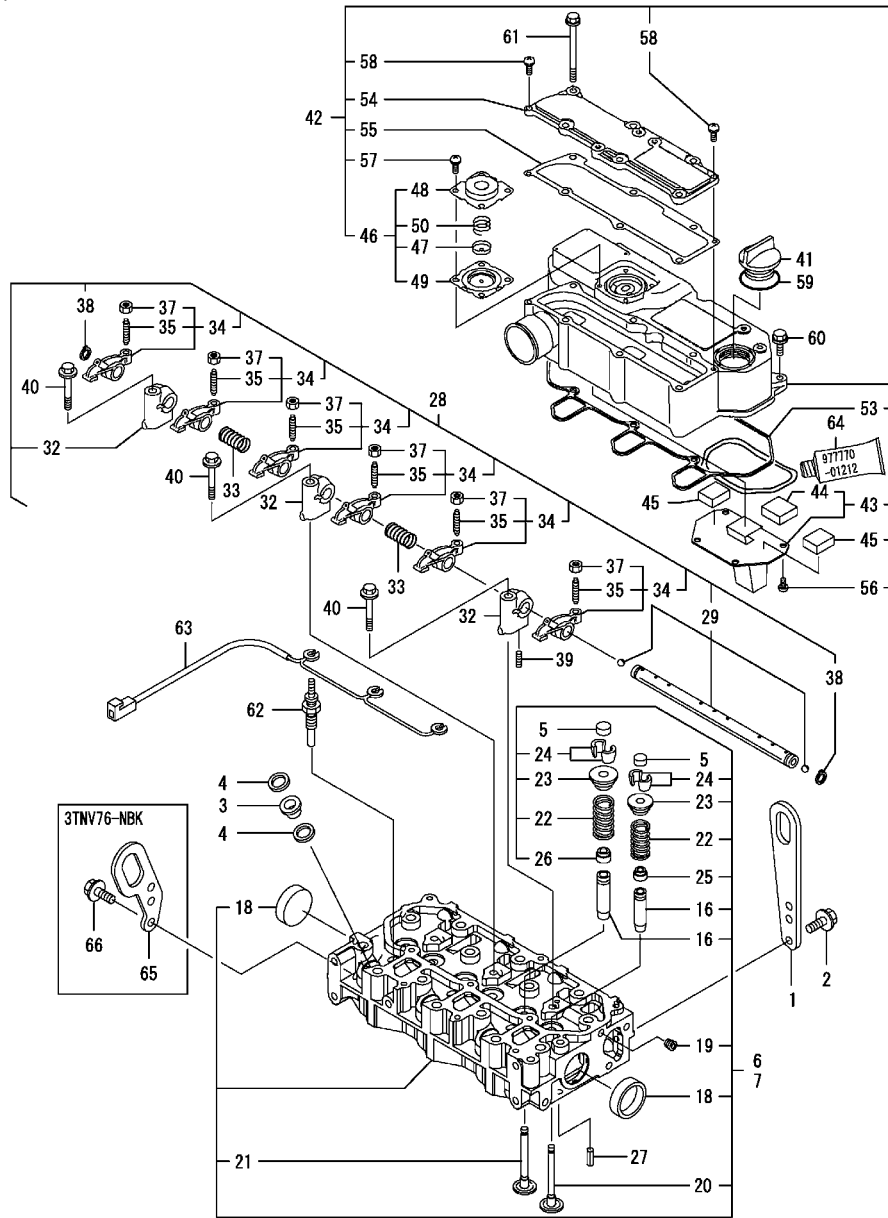


REF.	LEV.	PARTS NO.	DESCRIPTION	QTY						I	R
				(A)	(B)	(C)	(D)	(E)	(F)		
1	1	129100-01580	PARALLEL PIN 8X16	2	2	2					
2	1	119717-01601	HOUSING, FLYWHEEL	1							
3	1	119717-01610	HOUSING, FLYWHEEL		1	1					
4	1	121120-01620	BOLT M 10X 28	3	3	3					
5	1	119620-01750	CAP, FLYWHEEL COVER	1	1	1					
6	1	124085-02220	SEAL, OIL	1	1	1					
7	1	26206-100252	BOLT M10X25	8	8	8					
8	1	119717-01720	SPACER, OIL SUMP	1	1						
9	1	119740-01770	SUMP ASSY, LUB.OIL	1							
10	2	105425-01690	PLUG M16	1							
13	2	22190-160002	SEAL WASHER 16S	1							
14	1	26106-080122	BOLT M 8X 12 PLATED	1	1						
15	1	26106-080302	BOLT M 8X 30 PLATED	1	1						
16	1	26106-080452	BOLT M 8X 45 PLATED	11	11	10					
17	1	26106-080502	BOLT M 8X 50 PLATED	3	3	3					
18	1	977770-01212	GASKET, LIQUID	1	1	1					1
19	1	119717-01770	SUMP ASSY, LUB.OIL		1						
20	2	105425-01690	PLUG M16		1						
23	2	22190-160002	SEAL WASHER 16S		1						
24	1	119744-01770	SUMP ASSY, LUB.OIL								1
25	2	105425-01690	PLUG M16								1
27	2	22190-160002	SEAL WASHER 16S								1

Remarks
 (1) OPTIONAL PART.

(A)=3TNV76-NBK (D)=
 (B)=3TNV76-GGE (E)=
 (C)=3TNV76-HGE (F)=

Fig.4. CYLINDER HEAD & BONNET

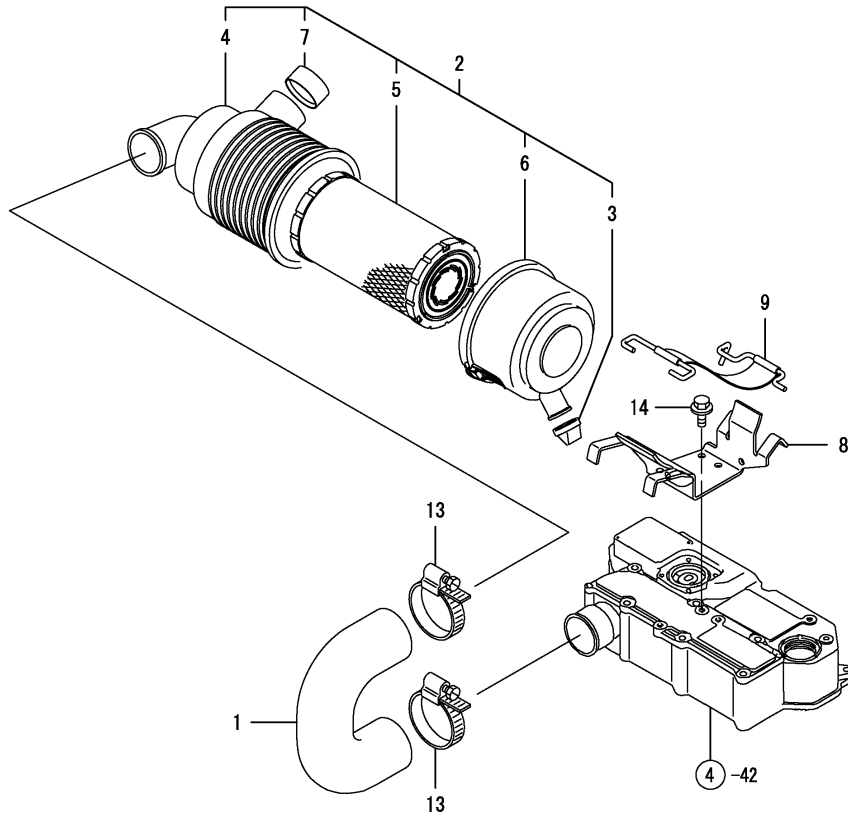


REF.	LEV.	PARTS NO.	DESCRIPTION	QTY						I	R
				(A)	(B)	(C)	(D)	(E)	(F)		
1	1	129900-07900	LIFTER, ENGINE	1	1	1					
2	1	26106-080162	BOLT M 8X 16 PLATED	2	2	2					
3	1	129901-11450	PROTECTOR, NOZZLE	3	3	3					
4	1	119600-11460	GASKET, NOZZLE	6	6	6					
5	1	105010-11490	CAP, VALVE	6	6	6					
6	1	119717-11740	HEAD ASSY, CYLINDER	1	1						
7	1	119746-11740	HEAD ASSY, CYLINDER						1		
16	2	119717-11800	GUIDE, VALVE	6	6	6					1
18	2	119285-11990	PLUG 35	2	2	2					
19	2	23876-005000	PLUG PT 1/16,SCREW	1	1	1					
20	2	119717-11100	VALVE, INTAKE	3	3	3					
21	2	119717-11110	VALVE, EXHAUST	3	3	3					
22	2	119717-11131	SPRING, VALVE	6	6	6					
23	2	129508-11180	RETAINER, SPRING	6	6	6					
24	2	119717-11190	COTTER, VALVE	12	12	12					
25	2	119717-11340	SEAL, VALVE STEM	3	3	3					
26	2	119717-11350	SEAL, VALVE STEM	3	3	3					
27	1	22351-060012	SPRING PIN 6X12	2	2	2					
28	1	119717-11200	SUPPORT ASSY, ARM	1	1	1					
29	2	119717-11240	SHAFT ASSY, ROCKER	1	1	1					
32	2	119717-11260	SUPPORT, ROCKER ARM	3	3	3					
33	2	119620-11280	SPRING	2	2	2					
34	2	119717-11650	ARM ASSY, ROCKER	6	6	6					
35	3	129150-11230	SCREW, VALVE	6	6	6					
37	3	129150-11750	NUT M8XP1.0	6	6	6					
38	2	22242-000120	CIRCLIP 12	2	2	2					
39	2	26979-050162	SCREW M 5X16	1	1	1					
40	1	26106-080402	BOLT M 8X 40 PLATED	3	3	3					
41	1	124160-01751	COVER,FILLER	1	1	1					
42	1	119717-11381	BONNET ASSY, HEAD	1	1	1					
43	2	119717-03031	PLATE, BAFFLE	1	1	1					
44	3	119717-03070	BAFFLE, BREATHER	1	1	1					
45	2	119717-03070	BAFFLE, BREATHER	2	2	2					
46	2	119802-03100	DIAPHRAGM ASSY	1	1	1					
47	3	119802-03110	PLATE, DIAPHRAGM	1	1	1					
48	3	119802-03121	COVER, DIAPHRAGM	1	1	1					
49	3	119802-03131	DIAPHRAGM	1	1	1					
50	3	119802-03141	SPRING, DIAPHRAGM	1	1	1					
53	2	119718-11310	GASKET, BONNET	1	1	1					
54	2	119717-11320	COVER, BONNET	1	1	1					
55	2	119717-11331	GASKET,BONNET COVER	1	1	1					
56	2	22857-500100	SCREW 5X10,TAPPING	4	4	4					
57	2	22857-500100	SCREW 5X10,TAPPING	4	4	4					
58	2	22857-500160	SCREW 5X16	2	2	2					
59	1	24311-000320	O-RING 1A P-32.0	1	1	1					
60	1	26106-060202	BOLT M 6X 20 PLATED	3	3	3					
61	1	26106-060752	BOLT M 6X 75 PLATED	6	6	6					
62	1	119717-77800	PLUG, GLOW	3	3	3					
63	1	119717-77820	CONNECTOR, GLOW PLUG	1	1	1					
64	1	977770-01212	GASKET, LIQUID	1	1	1					2
65	1	119260-07900	LIFTER, ENGINE	1							
66	1	26106-080142	BOLT M 8X 14 PLATED	2							

Remarks
 (1) REPAIR PART.
 (2) OPTIONAL PART.

Fig.5. AIR CLEANER

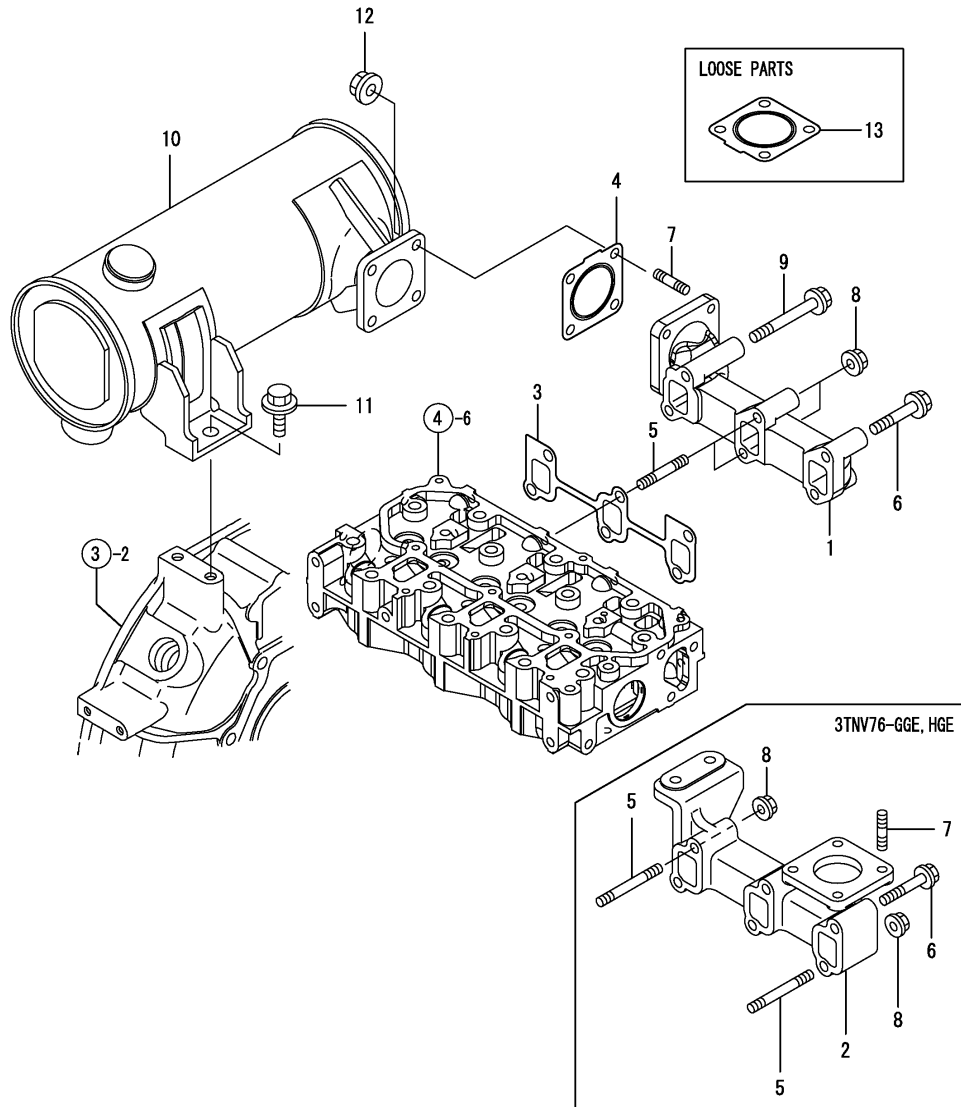
(A)=3TNV76-NBK (D)=
 (B)=3TNV76-GGE (E)=
 (C)=3TNV76-HGE (F)=



REF.	LEV.	PARTS NO.	DESCRIPTION	QTY						I	R
				(A)	(B)	(C)	(D)	(E)	(F)		
1	1	119761-12020	HOSE, AIR INTAKE	1							
2	1	119761-12500	CLEANER ASSY, AIR	1							
3	2	119808-12540	VALVE, UNLOADER	1							
4	2	119655-12550	BODY ASSY	1							
5	2	119655-12560	ELEMENT	1							
6	2	105027-12570	COVER, AIR CLEANER	1							
7	2	105027-12580	RING	1							
8	1	119761-12570	SUPPORT, AIR CLEANER	1							
9	1	119865-12600	STAY	1							
13	1	23000-054000	CLAMP 54	2							
14	1	26106-060142	BOLT M 6X 14 PLATED	3							

Fig.6. EXHAUST MANIFOLD & SILENCER

(A)=3TNV76-NBK (D)=
 (B)=3TNV76-GGE (E)=
 (C)=3TNV76-HGE (F)=

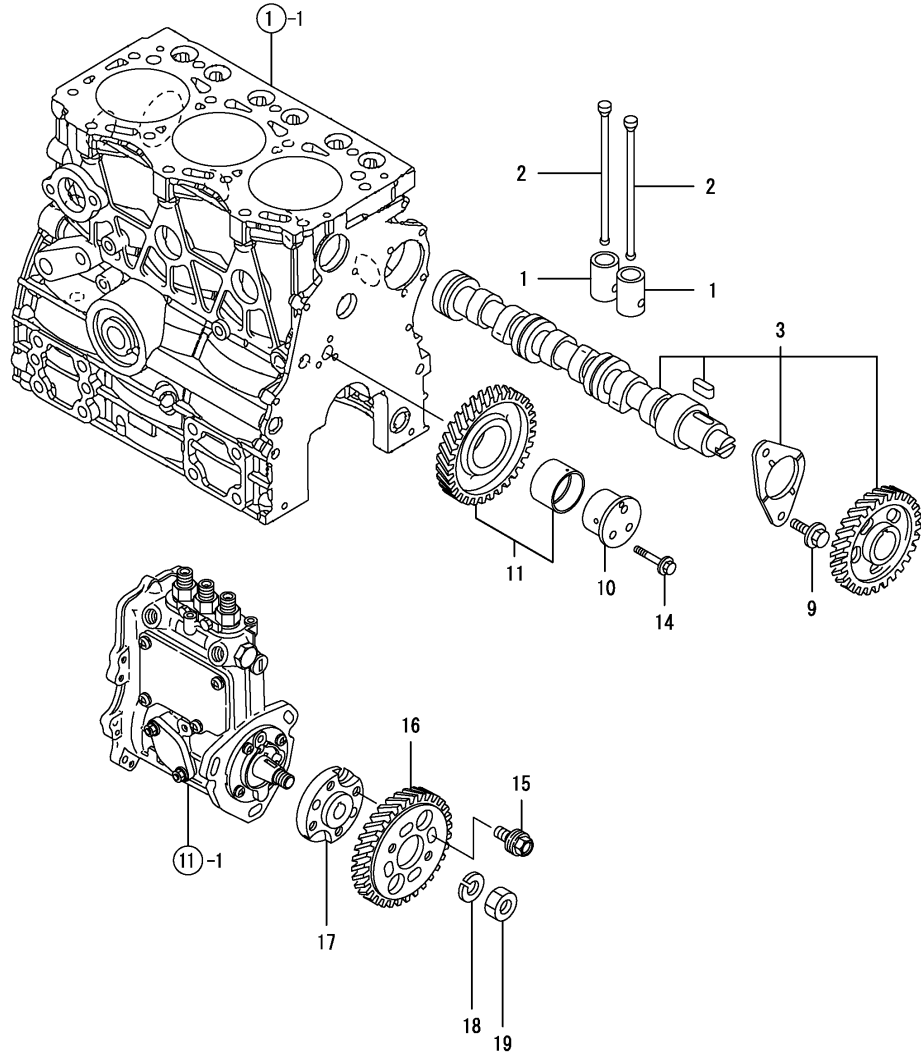


REF.	LEV.	PARTS NO.	DESCRIPTION	QTY						I	R
				(A)	(B)	(C)	(D)	(E)	(F)		
1	1	119740-13100	MANIFOLD, EXHAUST	1							
2	1	119717-13109	MANIFOLD, EXHAUST		1	1					
3	1	119717-13110	GASKET, MANIFOLD	1	1	1					
4	1	119515-13200	GASKET, SILENCER	1							
5	1	119717-13600	STUD, M8X50	2	2	2					
6	1	119802-13620	BOLT M 8X 50 PLATED	2	2	2					
7	1	119131-18320	BOLT M 8X 22	4	4	4					
8	1	26306-080002	NUT	2	2	2					
9	1	123900-13620	BOLT M 8X 70 PLATED	2							
10	1	119740-13500	SILENCER	1							
11	1	26106-100182	BOLT M10X 18 PLATED	1							
12	1	26306-080002	NUT	4							
13	1	119515-13200	GASKET, SILENCER	1	1	1					

(A)=3TNV76-NBK (D)=
 (B)=3TNV76-GGE (E)=
 (C)=3TNV76-HGE (F)=

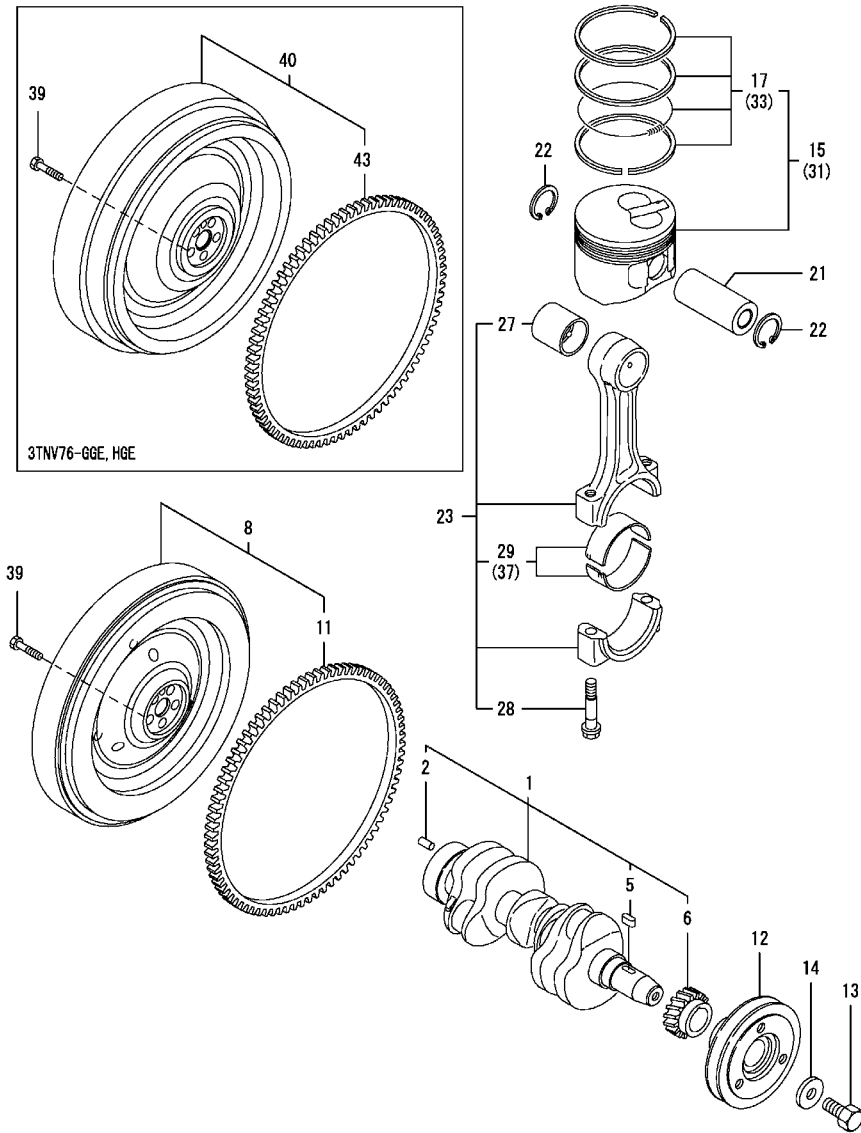
Fig.7. CAMSHAFT & DRIVING GEAR

REF.	LEV.	PARTS NO.	DESCRIPTION	QTY						I	R
				(A)	(B)	(C)	(D)	(E)	(F)		
1	1	119620-14200	TAPPET	6	6	6					
2	1	119717-14400	ROD, PUSH	6	6	6					
3	1	119717-14580	CAMSHFT ASSY	1	1	1					
9	1	26106-060122	BOLT M 6X 12 PLATED	2	2	2					
10	1	119717-25050	SHAFT, IDLE GEAR	1	1	1					
11	1	119717-25100	GEAR ASSY, IDLE	1	1	1					
14	1	26106-060352	BOLT M 6X 35 PLATED	3	3	3					
15	1	129150-25301	BOLT, FI-P	4	4	4					
16	1	119717-25930	GEAR, PUMP	1	1	1					
17	1	119717-51150	FLANGE	1	1	1					
18	1	22217-120000	SPRING WASHER 12	1	1	1					
19	1	26716-120002	NUT 12	1	1	1					



(A)=3TNV76-NBK (D)=
 (B)=3TNV76-GGE (E)=
 (C)=3TNV76-HGE (F)=

Fig.8. CRANKSHAFT & PISTON



REF.	LEV.	PARTS NO.	DESCRIPTION	QTY						I	R
				(A)	(B)	(C)	(D)	(E)	(F)		
1	1	119717-21700	CRANKSHAFT ASSY	1	1	1					
2	2	129100-01580	PARALLEL PIN 8X16	1	1	1					
5	2	22512-040120	KEY 4X 12	1	1	1					
6	2	119717-21200	GEAR, CRANKSHAFT	1	1	1					
8	1	119636-21580	FLYWHEEL ASSY	1							
11	2	119865-21600	GEAR, RING	1							
12	1	119717-21650	V-PULLEY, CRANKSHAFT	1	1	1					
13	1	119621-21680	BOLT M12X1.25,FLANGE	1	1	1					
14	1	119620-21941	WASHER	1	1	1					
15	1	119717-22080	PISTON W/RING	3	3	3					
17	2	119717-22500	RING SET	3	3	3					
21	1	119717-22300	PIN, PISTON	3	3	3					
22	1	22252-000220	CIRCLIP 22	6	6	6					
23	1	119717-23000	ROD ASSY, CONNECTING	3	3	3					
27	2	119717-23910	BUSH, PISTON PIN	3	3	3					2
28	2	119717-23200	BOLT, CONNECTING ROD	6	6	6					
29	2	119717-23600	METAL ASSY,CRANK PIN	3	3	3					
31	1	119717-22090	PISTON W/RING	3	3	3					1
33	2	119717-22550	RING SET, 0.25 OS	3	3	3					1
37	1	119717-23610	BEARING,PIN US=0.25	3	3	3					3
39	1	121111-21501	BOLT, FLYWHEEL	5	5	5					
40	1	119746-21570	FLYWHEEL ASSY		1	1					
43	2	119865-21600	GEAR, RING		1	1					

Remarks
 (1) OVER-SIZE(O.S=0.25)PART.
 (2) REPAIR PART.
 (3) UNDER-SIZE(U.S=0.25)PART.

Fig.9. LUB.OIL SYSTEM

(A)=3TNV76-NBK (D)=
 (B)=3TNV76-GGE (E)=
 (C)=3TNV76-HGE (F)=

REF.	LEV.	PARTS NO.	DESCRIPTION	QTY						I	R
				(A)	(B)	(C)	(D)	(E)	(F)		
1	1	119717-34801	DIPSTICK, LUB.OIL	1	1						
2	1	129100-35140	STUD	1	1						
3	1	119305-35151	FILTER ASSY, LUB.OIL	1	1						
4	1	119717-32060	O-RING, P15.0	1	1	1					
5	1	119717-35080	PIPE ASSY, LUB.OIL	1	1						
9	1	26106-060102	BOLT M 6X 10 PLATED	2	2	2					
10	1	114250-39450	SWITCH,(0.5KG)L.O.	1	1	1					
11	1	119717-39210	PIPE ASSY, HYDRAULIC	1	1	1					
12	1	129005-59830	BOLT ASSY, JOINT	2	2	2					
13	2	22190-080002	SEAL WASHER 8S	2	2	2					
14	2	23857-030000	JOINT BOLT 3	2	2	2					
15	1	22190-080002	SEAL WASHER 8S	2	2	2					
16	1	121520-34810	GUIDE, DIPSTICK	1	1	1					
17	1	119746-34801	DIPSTICK							1	
18	1	119744-35080	PIPE ASSY, LUB.OIL								1

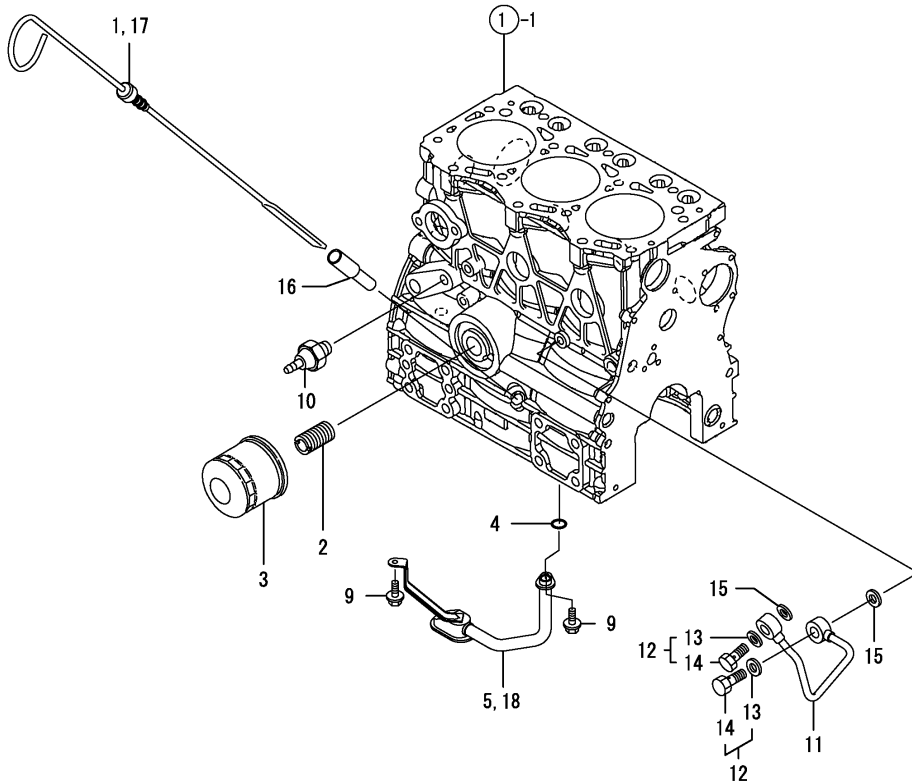
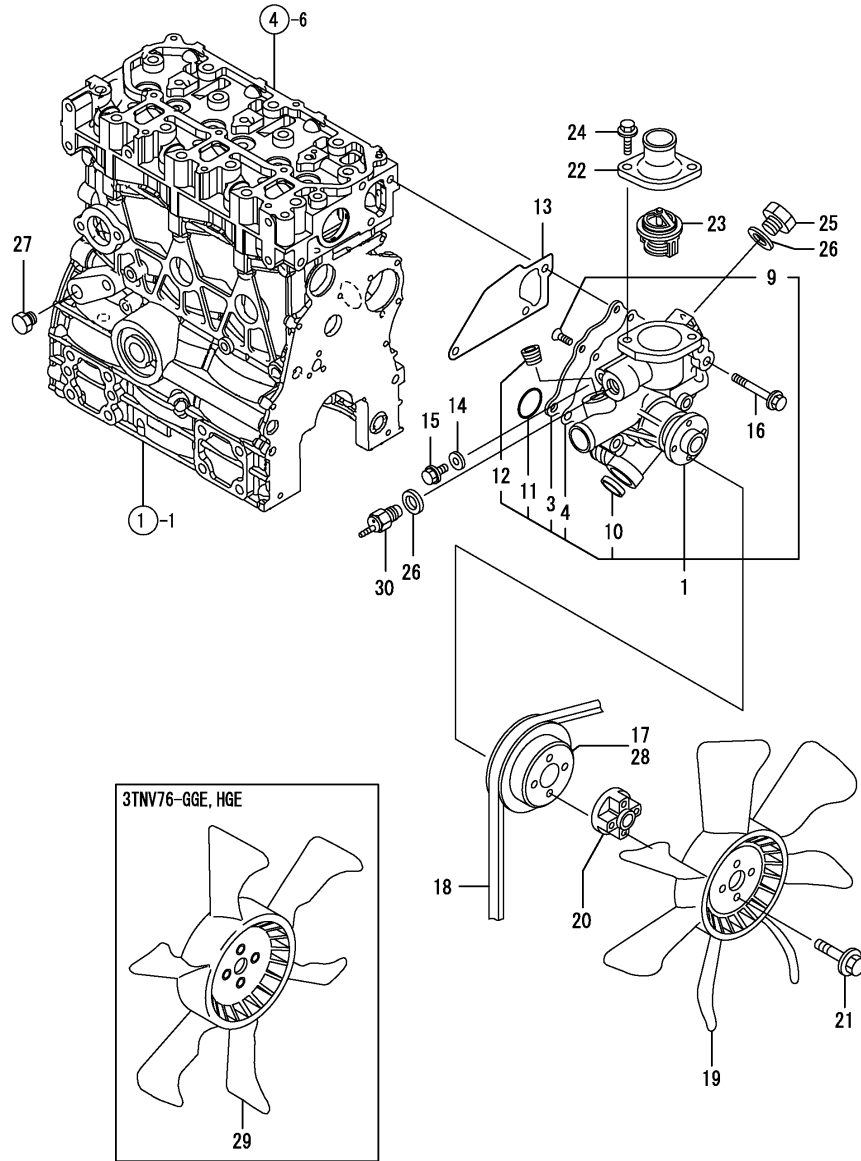


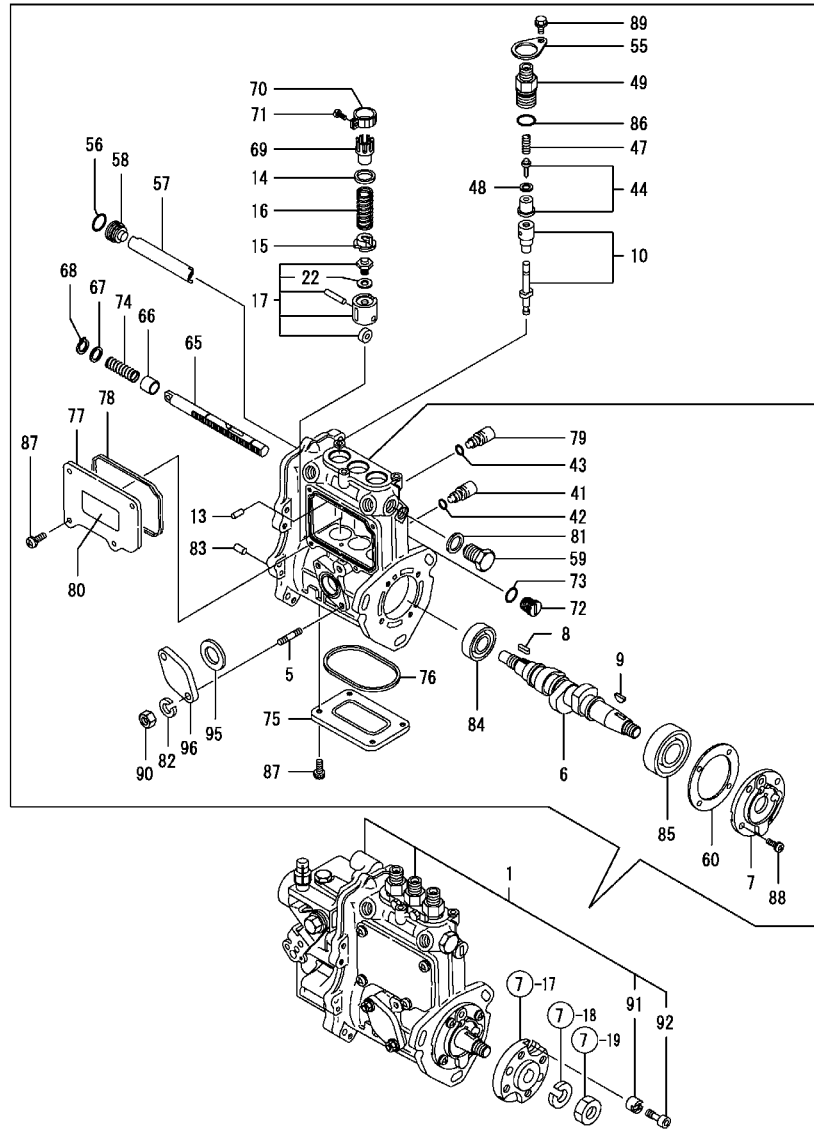
Fig.10. COOLING WATER SYSTEM



(A)=3TNV76-NBK (D)=
 (B)=3TNV76-GGE (E)=
 (C)=3TNV76-HGE (F)=

REF.	LEV.	PARTS NO.	DESCRIPTION	QTY					
				(A)	(B)	(C)	(D)	(E)	(F)
1	1	119717-42002	PUMP ASSY, C.W.	1	1	1			
3	2	119717-42041	COVER	1	1	1			
4	2	119717-42031	GASKET	1	1	1			
9	2	26577-060122	SCREW M 6X 12	4	4	4			
10	2	27241-250000	PLUG 25	1	1	1			
11	2	119717-42320	O-RING	1	1	1			
12	2	129916-49740	PLUG, DRAIN R03	1	1	1			
13	1	119717-42020	GASKET, WATER PUMP	1	1	1			
14	1	23414-080000	GASKET 8, ROUND	1	1	1			
15	1	26106-080122	BOLT M 8X 12 PLATED	1	1	1			
16	1	26106-080502	BOLT M 8X 50 PLATED	3	3	3			
17	1	119515-42350	V-PULLEY, C.W.PUMP	1					
18	1	25132-003600	V-BELT	1	1	1			
19	1	119717-44740	FAN,COOLING D335X7	1					
20	1	121267-44760	SPACER	1	1	1			
21	1	26106-060302	BOLT M 6X 30 PLATED	4	4	4			
22	1	129350-49530	COVER, THERMOSTAT	1	1	1			
23	1	119717-49800	THERMOSTAT, 71C	1	1	1			
24	1	26106-080202	BOLT M 8X 20 PLATED	2	2	2			
25	1	121450-42450	PLUG M16	1	1	1			
26	1	124465-44950	GASKET 16	2	2	2			
27	1	171056-49120	PLUG, DRAIN	1	1	1			
28	1	119717-42350	V-PULLEY, C.W.PUMP		1	1			
29	1	171340-44740	FAN, COOLING		1	1			
30	1	121250-44901	SWITCH, THERMO(110 C	1	1	1			

Fig.11. FUEL INJECTION PUMP



Remarks
 (1) GOVERNOR ASSY(FIG.12) IS
 INCORPORATED IN THIS FOP.CMP
 (REF.NO.1).

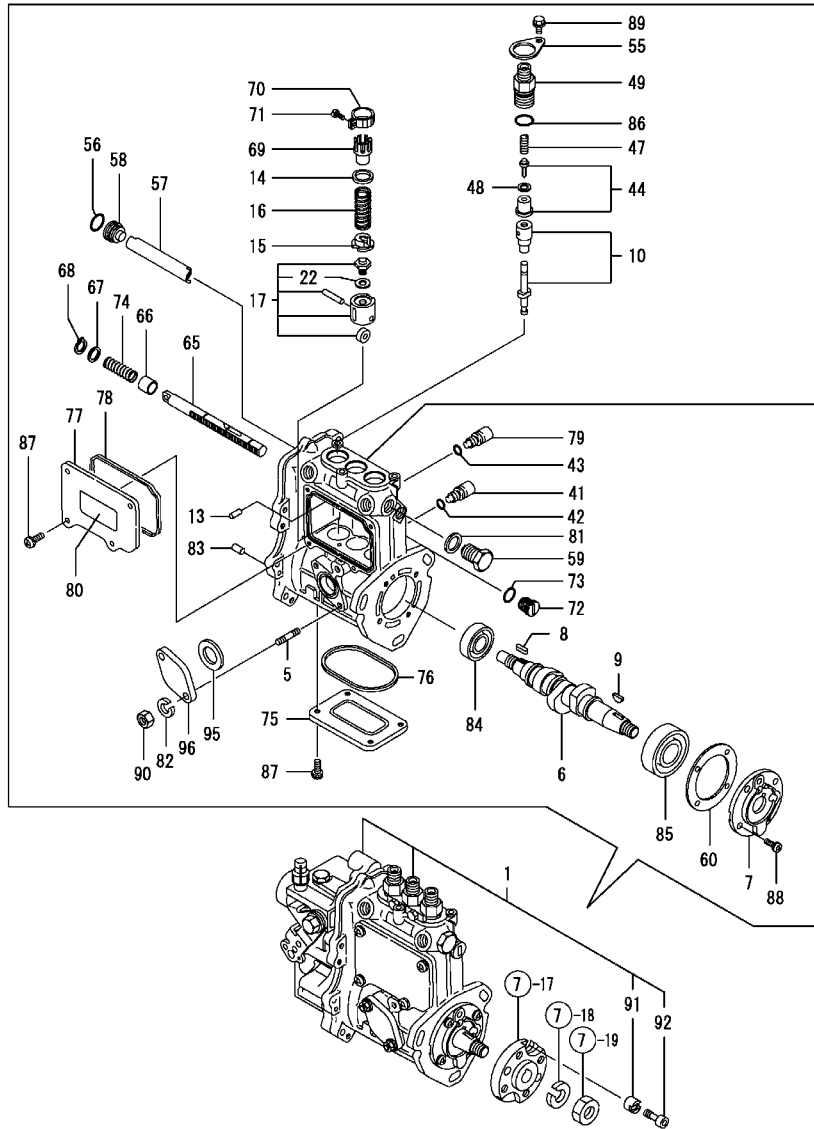
(A)=3TNV76-NBK (D)=
 (B)=3TNV76-GGE (E)=
 (C)=3TNV76-HGE (F)=

REF.	LEV.	PARTS NO.	DESCRIPTION	QTY						I	R
				(A)	(B)	(C)	(D)	(E)	(F)		
1	1	719740-51350	FIE ASSY,3TNV76-N5BA	1							1
5	2	129155-51020	STUD, FEED PUMP	2							
6	2	119717-51030	CAMSHAFT	1							
7	2	119717-51060	SUPPORT, BEARING	1							
8	2	119717-51070	PARALLEL PIN	1							
9	2	122710-51090	KEY	1							
10	2	119740-51100	PLUNGER ASSY	3							
13	2	129155-51140	PIN, BARREL LOCKING	3							
14	2	158600-51170	SEAT SPRING	3							
15	2	119717-51180	RETAINER, SPRING	3							
16	2	119717-51190	SPRING, PLUNGER	3							
17	2	119717-51200	TAPPET ASSY	3							
22	3	129155-51600	SHIM PACK	1							
41	2	158600-51270	STOPPER	3							
42	2	129155-51280	O-RING S6	3							
43	2	129155-51280	O-RING S6	1							
44	2	119717-51300	VALVE ASSY, DELIVERY	3							
47	2	119717-51330	SPRING, DELIVERY	3							
48	2	124550-51350	GASKET, DELIVERY	3							
49	2	158600-51441	VALVE ASSY, DELIVERY	3							
55	2	118400-51370	LOCKING	3							
56	2	119717-51420	O-RING	1							
57	2	129155-51400	DEFLECTOR	1							
58	2	158600-51410	PLUG	1							
59	2	158600-51420	PLUG	1							
60	2	129155-51450	SHIM SET, ADJUSTING	1							
65	2	119717-51500	RACK, CONTROL	1							
66	2	129155-51521	BUSH, RACK	1							
67	2	129155-51530	SPACER, AUX. SPRING	1							
68	2	129155-51540	CIRCLIP	1							
69	2	129155-51550	PINION, CONTROL	3							
70	2	129100-51560	PINION	3							
71	2	129100-51570	SCREW	3							
72	2	158600-51570	PLUG	1							
73	2	129155-51580	O-RING	1							
74	2	129155-51591	SPRING, RACK	1							
75	2	129155-51701	COVER	1							
76	2	119717-51710	PACKING	1							
77	2	119717-51750	COVER, BODY SIDE	1							
78	2	119717-51760	GASKET	1							
79	2	158600-51790	GUIDE, RACK	1							
80	2	129156-51910	LABEL, CAUTION	1							
81	2	22190-160002	SEAL WASHER 16S	1							
82	2	22217-060000	SPRING WASHER 6	2							
83	2	22351-050010	SPRING PIN 5X10	2							
84	2	24101-060034	BALL BEARING	1							
85	2	24101-063034	BALL BEARING	1							
86	2	24316-000150	O-RING 4D P15	3							
87	2	26022-050122	SCREW M 5X 12	8							
88	2	26022-060162	SCREW M 6X 16	4							
89	2	26106-050102	BOLT M 5X 10 PLATED	3							
90	2	26716-060002	NUT 6	2							
91	2	119717-51480	COLLAR, FIC FIX	1							
92	2	119717-51490	BOLT, FIXATION	1							

++ CONTINUE ++

Fig.11. FUEL INJECTION PUMP

(A)=3TNV76-NBK (D)=
 (B)=3TNV76-GGE (E)=
 (C)=3TNV76-HGE (F)=

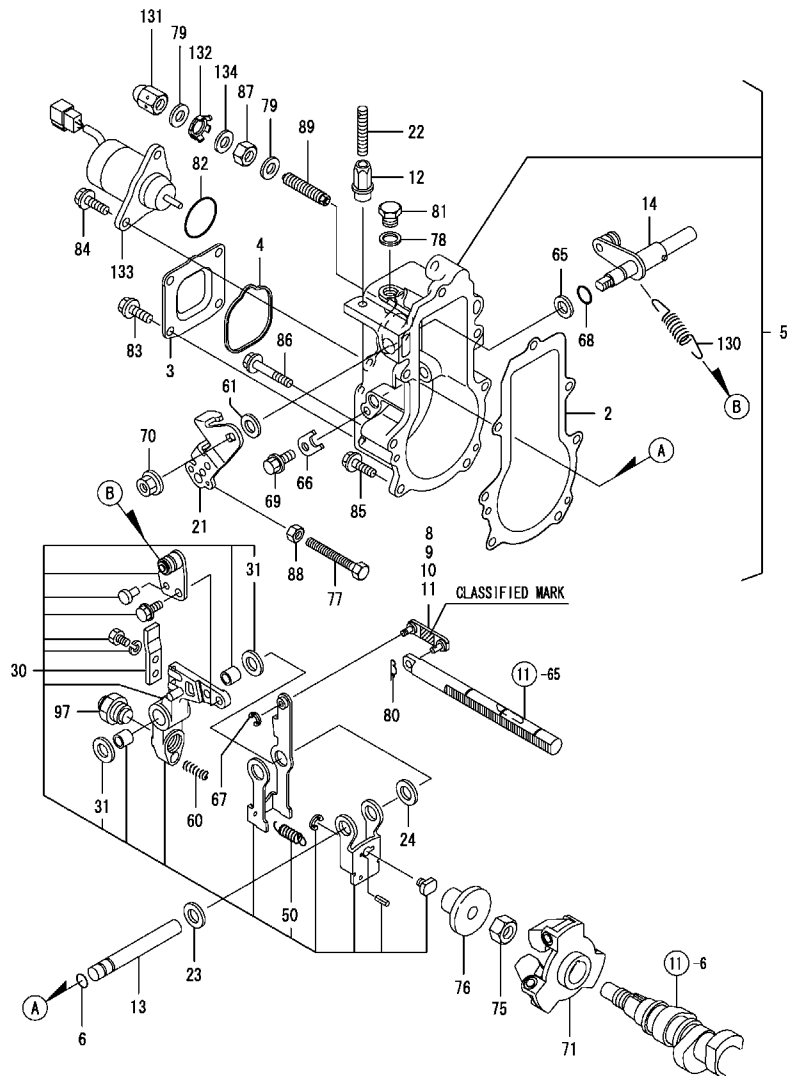


REF.	LEV.	PARTS NO.	DESCRIPTION	QTY						I	R
				(A)	(B)	(C)	(D)	(E)	(F)		
95	2	129155-52051	GASKET	1							
96	2	129100-52200	COVER	1							

Remarks
 (1) GOVERNOR ASSY(FIG.12) IS
 INCORPORATED IN THIS FOP.CMP
 (REF.NO.1).

Fig.12. GOVERNOR

(A)=3TNV76-NBK (D)=
 (B)=3TNV76-GGE (E)=
 (C)=3TNV76-HGE (F)=

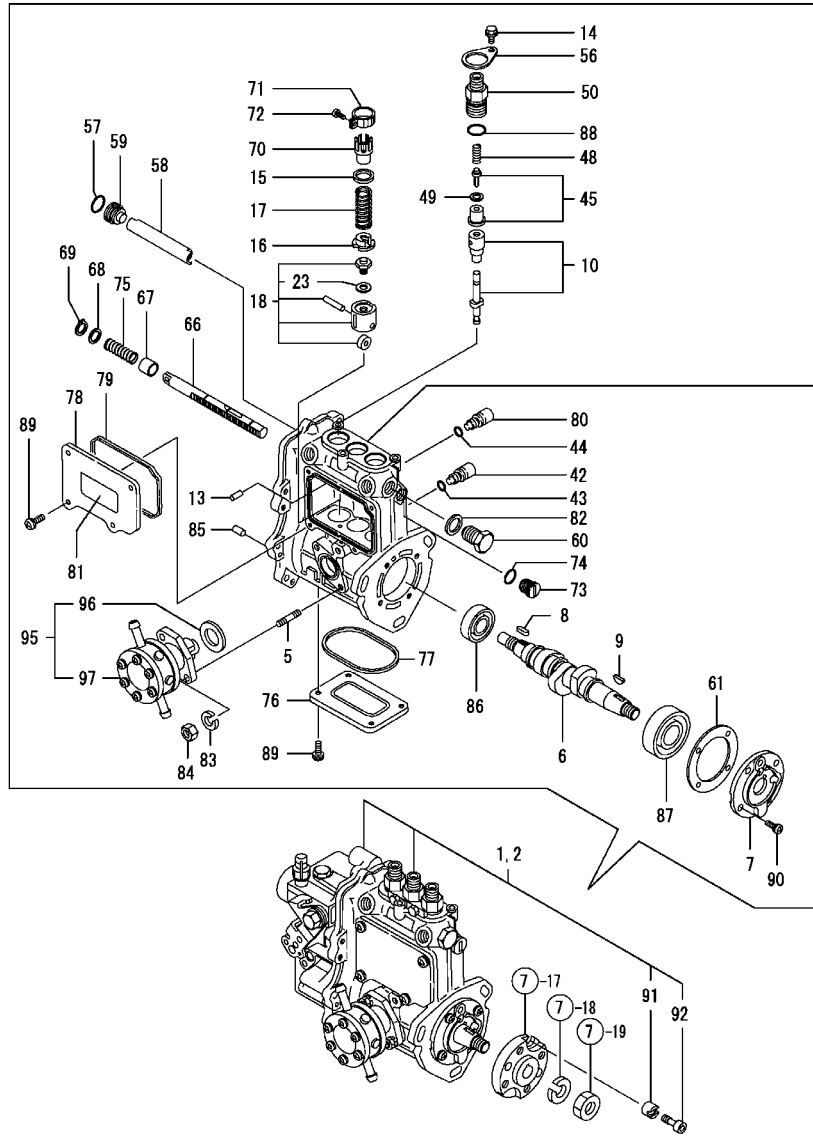


Remarks
 (1) SELECTIVE PARTS: CERTAIN THE CLASSIFICATION MARK, THEN PLACE YOUR ORDER.(REF. TO ILLUSTRATION)
 * THIS FIGURE(GOVERNOR ASSY)IS INCORPORATED IN THE FUEL INJECTION PUMP ASSY(FIG.11).

REF.	LEV.	PARTS NO.	DESCRIPTION	QTY						I	R
				(A)	(B)	(C)	(D)	(E)	(F)		
2	2	119717-61050	GASKET, CASE	1							
3	2	119717-61060	CASE, GOVERNOR	1							
4	2	119717-61070	GASKET, COVER	1							
5	2	119717-61100	CASE ASSY, GOVERNOR	1							
6	3	129155-51280	O-RING S6	1							
8	3	119717-61120	LINK, L=29.3	1							1
9	3	119717-61130	LINK, L=29.8	1							1
10	3	119717-61140	LINK, L=28.8	1							1
11	3	119717-61150	LINK, L=303	1							1
12	3	129209-61370	NUT M6	1							
13	3	129052-61390	SHAFT, GOV. LEVER	1							
14	3	119717-61400	SHAFT ASSY, CONTROL	1							
21	3	119515-61440	LEVER, CONTROL	1							
22	3	129155-61450	BOLT, REVOL. LIMIT	1							
23	3	129156-61460	SHIM T=0.6	1							
24	3	129155-61480	SPACER ASSY	1							
30	3	119717-61500	LEVER ASSY, GOVERNOR	1							
31	4	174307-51700	SHIM SET	2							
50	4	129486-61540	SPRING, SET	1							
60	3	129100-61650	SPRING, FUEL CONTROL	1							
61	3	158552-61700	SHIM ASSY	1							
65	3	158552-61710	SHIM T=1.0	1							
66	3	119660-61901	RETAINER, SHAFT	1							
67	3	22272-000030	CIRCLIP E- 3	1							
68	3	24341-000070	O-RING 1A S-7.0	1							
69	3	26106-060102	BOLT M 6X 10 PLATED	1							
70	3	26366-080002	NUT M 8	1							
71	2	119717-61200	WEIGHT ASSY	1							
75	2	119660-61300	NUT, GOVERNOR WEIGHT	1							
76	2	129155-61341	SLEEVE	1							
77	2	129155-61460	BOLT, IDLE LIMIT	1							
78	2	22190-100002	SEAL WASHER 10S	1							
79	2	22190-120002	SEAL WASHER 12	2							
80	2	22372-040000	SNAP PIN 4	1							
81	2	23887-100002	PLUG 10	1							
82	2	24341-000280	O-RING 1A S-28.0	1							
83	2	26106-060102	BOLT M 6X 10 PLATED	4							
84	2	26106-060142	BOLT M 6X 14 PLATED	2							
85	2	26106-060202	BOLT M 6X 20 PLATED	4							
86	2	26106-060452	BOLT M 6X 45 PLATED	3							
87	2	26736-120002	NUT M12	1							
88	2	26756-060002	LOCK NUT 6	1							
89	2	158601-61710	LIMITER ASSY, FUEL	1							
97	2	119515-61550	ANGLEICH ASSY	1							
130	2	171353-61700	SPRING, GOVERNOR	1							
131	2	129209-61930	CAP NUT	1							
132	2	129209-61970	PLATE	1							
133	2	119233-77932	SOLENOID, STOP	1							
134	2	23414-120016	GASKET 12	1							

Fig.13. FUEL INJECTION PUMP

(A)=3TNV76-NBK (D)=
 (B)=3TNV76-GGE (E)=
 (C)=3TNV76-HGE (F)=



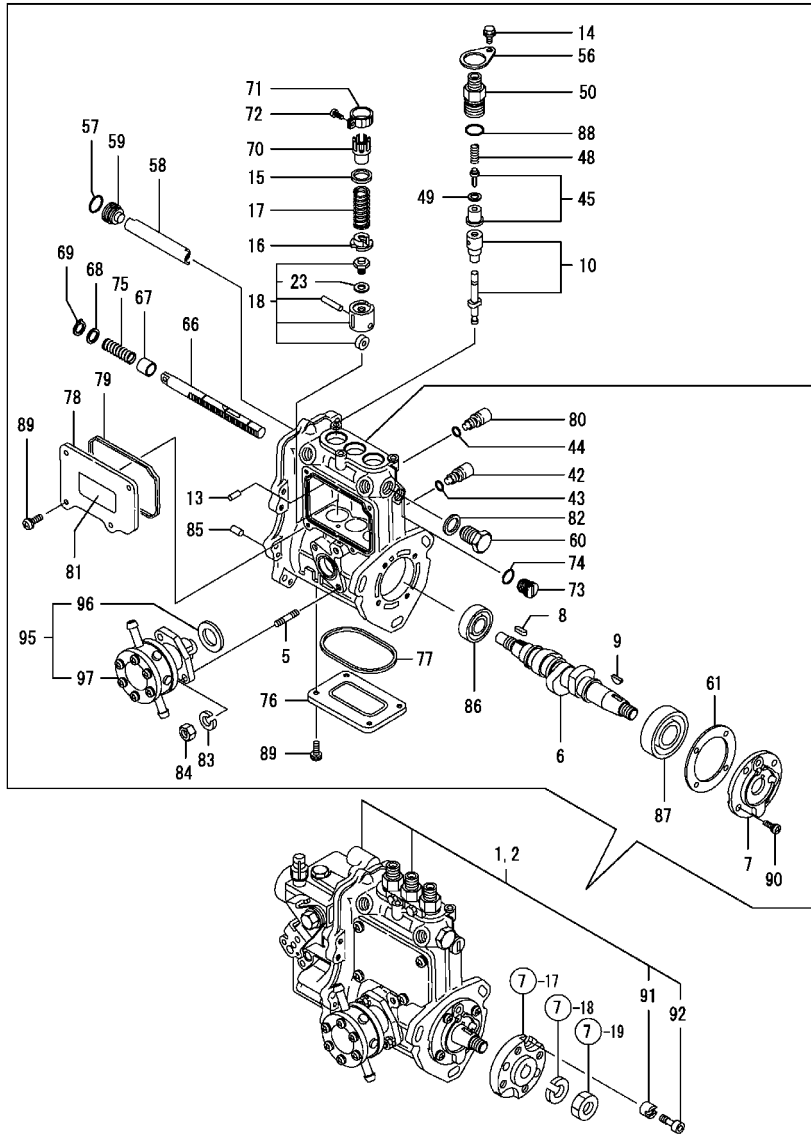
Remarks
 (1) GOVERNOR ASSY(FIG.14) IS
 INCORPORATED IN THIS FOP.CMP
 (REF.NO.1,2).

REF.	LEV.	PARTS NO.	DESCRIPTION	QTY						I	R
				(A)	(B)	(C)	(D)	(E)	(F)		
1	1	719746-51350	FIE ASSY(3TNV76-XJLT		1						1
2	1	719746-51360	FIE ASSY(3TNV76-XJLT			1					1
5	2	129155-51020	STUD, FEED PUMP			2	2				
6	2	119717-51030	CAMSHAFT		1	1					
7	2	119717-51060	SUPPORT, BEARING		1	1					
8	2	119717-51070	PARALLEL PIN		1	1					
9	2	122710-51090	KEY		1	1					
10	2	119717-51100	PLUNGER ASSY		3	3					
13	2	129155-51140	PIN, BARREL LOCKING		3	3					
14	2	26106-050102	BOLT M 5X 10 PLATED		3	3					
15	2	158600-51170	SEAT SPRING		3	3					
16	2	119717-51180	RETAINER, SPRING		3	3					
17	2	119717-51190	SPRING, PLUNGER		3	3					
18	2	119717-51200	TAPPET ASSY		3	3					
23	3	129155-51600	SHIM PACK		1	1					
42	2	158600-51270	STOPPER		3	3					
43	2	129155-51280	O-RING S6		3	3					
44	2	129155-51280	O-RING S6		1	1					
45	2	119717-51300	VALVE ASSY, DELIVERY		3	3					
48	2	119717-51330	SPRING, DELIVERY		3	3					
49	2	124550-51350	GASKET, DELIVERY		3	3					
50	2	158600-51441	VALVE ASSY, DELIVERY		3	3					
56	2	118400-51370	LOCKING		3	3					
57	2	119717-51420	O-RING		1	1					
58	2	129155-51400	DEFLECTOR		1	1					
59	2	158600-51410	PLUG		1	1					
60	2	158600-51420	PLUG		1	1					
61	2	129155-51450	SHIM SET, ADJUSTING		1	1					
66	2	119717-51500	RACK, CONTROL		1	1					
67	2	129155-51521	BUSH, RACK		1	1					
68	2	129155-51530	SPACER, AUX. SPRING		1	1					
69	2	129155-51540	CIRCLIP		1	1					
70	2	129155-51550	PINION, CONTROL		3	3					
71	2	129100-51560	PINION		3	3					
72	2	129100-51570	SCREW		3	3					
73	2	158600-51570	PLUG		1	1					
74	2	129155-51580	O-RING		1	1					
75	2	129155-51591	SPRING, RACK		1	1					
76	2	129155-51701	COVER		1	1					
77	2	119717-51710	PACKING		1	1					
78	2	119717-51750	COVER, BODY SIDE		1	1					
79	2	119717-51760	GASKET		1	1					
80	2	158600-51790	GUIDE, RACK		1	1					
81	2	129156-51910	LABEL, CAUTION		1	1					
82	2	22190-160002	SEAL WASHER 16S		1	1					
83	2	22217-060000	SPRING WASHER 6		2	2					
84	2	26716-060002	NUT 6		2	2					
85	2	22351-050010	SPRING PIN 5X10		2	2					
86	2	24101-060034	BALL BEARING		1	1					
87	2	24101-063034	BALL BEARING		1	1					
88	2	24316-000150	O-RING 4D P15		3	3					
89	2	26022-050122	SCREW M 5X 12		8	8					
90	2	26022-060162	SCREW M 6X 16		4	4					
91	2	119717-51480	COLLAR, FIC FIX		1	1					

++ CONTINUE ++

Fig.13. FUEL INJECTION PUMP

(A)=3TNV76-NBK (D)=
 (B)=3TNV76-GGE (E)=
 (C)=3TNV76-HGE (F)=

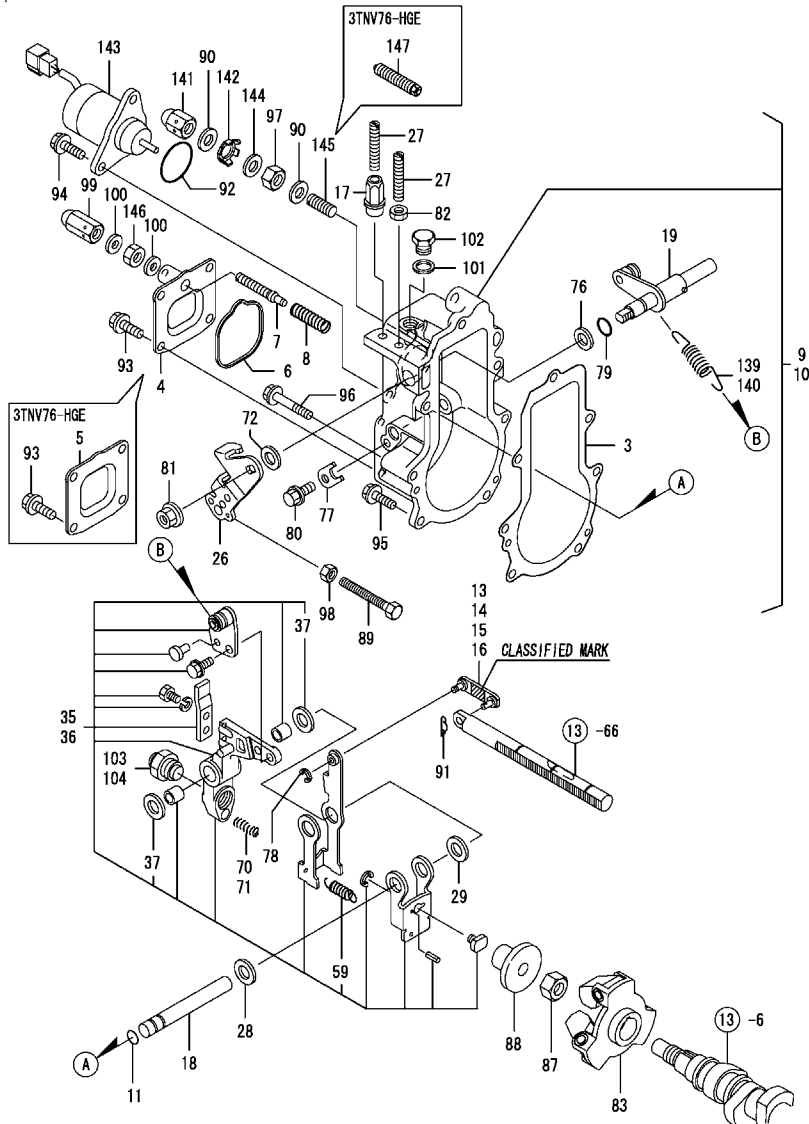


REF.	LEV.	PARTS NO.	DESCRIPTION	QTY						
				(A)	(B)	(C)	(D)	(E)	(F)	
92	2	119717-51490	BOLT, FIXATION		1	1				
95	2	129100-52000	PUMP ASSY, FUEL FEED		1	1				
96	3	129155-52051	GASKET		1	1				
97	3	129100-52101	PUMP ASSY, FUEL FEED		1	1				

Remarks
 (1) GOVERNOR ASSY(FIG.14) IS
 INCORPORATED IN THIS FOP.CMP
 (REF.NO.1,2).

Fig.14. GOVERNOR

(A)=3TNV76-NBK (D)=
 (B)=3TNV76-GGE (E)=
 (C)=3TNV76-HGE (F)=



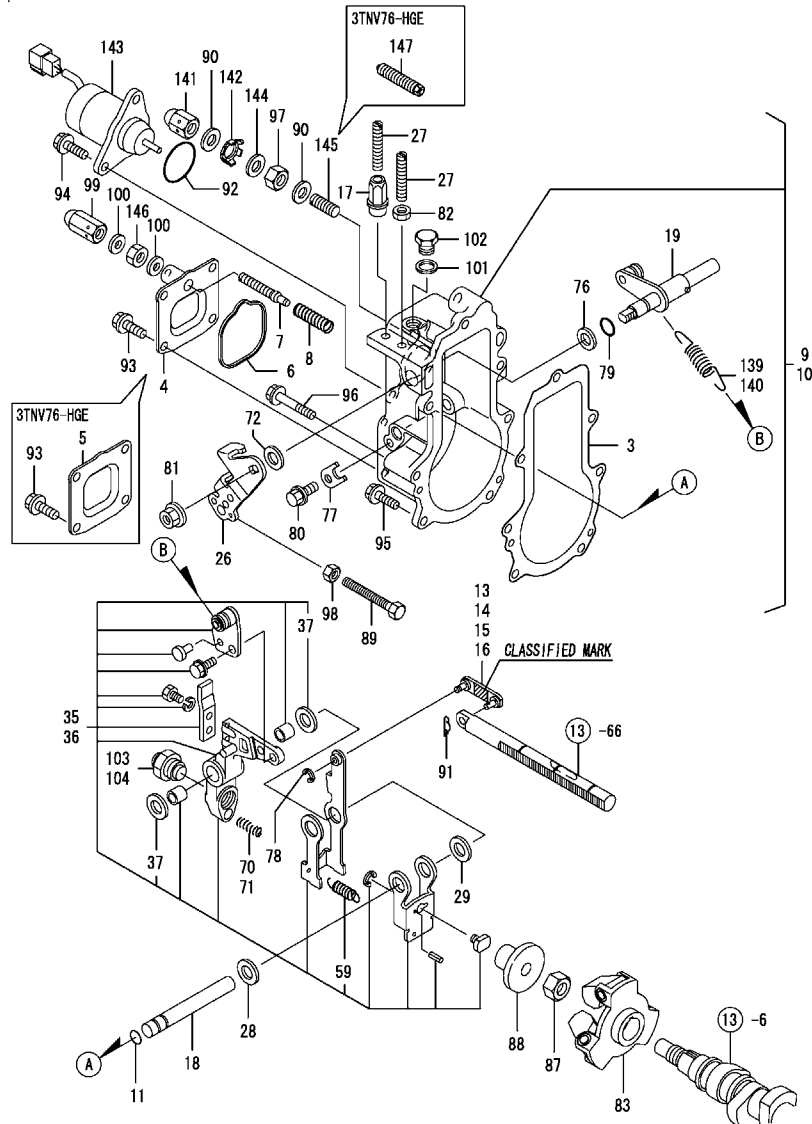
Remarks
 (1) SELECTIVE PARTS: CERTAIN THE CLASSIFICATION MARK, THEN PLACE YOUR ORDER.(REF. TO ILLUSTRATION)
 * THIS FIGURE(GOVERNOR ASSY)IS INCORPORATED IN THE FUEL INJECTION PUMP ASSY(FIG.13).

REF.	LEV.	PARTS NO.	DESCRIPTION	QTY						I	R
				(A)	(B)	(C)	(D)	(E)	(F)		
3	2	119717-61050	GASKET, CASE		1	1					
4	2	119746-61060	CASE, GOVERNOR		1						
5	2	119717-61060	CASE, GOVERNOR			1					
6	2	119717-61070	GASKET, COVER		1	1					
7	2	119645-61070	SCREW		1						
8	2	119746-61080	SPRING, IDLE SUB		1						
9	2	119746-61100	CASE ASSY, GOVERNOR		1						
10	2	119742-61100	CASE ASSY, GOVERNOR								
11	3	129155-51280	O-RING S6		1	1					
13	3	119717-61120	LINK, L=29.3		1	1					1
14	3	119717-61130	LINK, L=29.8		1	1					1
15	3	119717-61140	LINK, L=28.8		1	1					1
16	3	119717-61150	LINK, L=30.3		1	1					1
17	3	129209-61370	NUT M6		1	1					
18	3	129052-61390	SHAFT, GOV. LEVER		1	1					
19	3	119717-61400	SHAFT ASSY, CONTROL		1	1					
26	3	119515-61440	LEVER, CONTROL		1	1					
27	3	129155-61450	BOLT, REVOL. LIMIT		2	2					
28	3	129156-61460	SHIM T=0.6		1	1					
29	3	129155-61480	SPACER ASSY		1	1					
35	3	119746-61500	LEVER ASSY, GOVERNOR		1						
36	3	119717-61500	LEVER ASSY, GOVERNOR			1					
37	4	174307-51700	SHIM SET		2	2					
59	4	129486-61540	SPRING, SET		1	1					
70	3	129486-61650	SPRING		1						
71	3	129100-61650	SPRING, FUEL CONTROL			1					
72	3	158552-61700	SHIM ASSY		1	1					
76	3	158552-61710	SHIM T=1.0		1	1					
77	3	119660-61901	RETAINER, SHAFT		1	1					
78	3	22272-000030	CIRCLIP E- 3		1	1					
79	3	24341-000070	O-RING 1A S-7.0		1	1					
80	3	26106-060102	BOLT M 6X 10 PLATED		1	1					
81	3	26366-080002	NUT M 8		1	1					
82	3	26756-060002	LOCK NUT 6		1	1					
83	2	119717-61200	WEIGHT ASSY		1	1					
87	2	119660-61300	NUT, GOVERNOR WEIGHT		1	1					
88	2	129155-61341	SLEEVE		1	1					
89	2	129155-61460	BOLT, IDLE LIMIT		1	1					
90	2	22190-120002	SEAL WASHER 12		2	2					
91	2	22372-040000	SNAP PIN 4		1	1					
92	2	24341-000280	O-RING 1A S-28.0		1	1					
93	2	26106-060102	BOLT M 6X 10 PLATED		4	4					
94	2	26106-060142	BOLT M 6X 14 PLATED		2	2					
95	2	26106-060202	BOLT M 6X 20 PLATED		4	4					
96	2	26106-060452	BOLT M 6X 45 PLATED		3	3					
97	2	26736-120002	NUT M12		1	1					
98	2	26756-060002	LOCK NUT 6		1	1					
99	2	119600-66840	NUT, CAP		1						
100	2	22190-060003	SEAL WASHER 6		2						
101	2	22190-100002	SEAL WASHER 10S		1	1					
102	2	23887-100002	PLUG 10		1	1					
103	2	119746-61550	ANGLEICH ASSY		1						
104	2	119761-61560	ANGLEICH ASSY			1					
139	2	119746-61700	SPRING, GOVERNOR		1						

++ CONTINUE ++

Fig.14. GOVERNOR

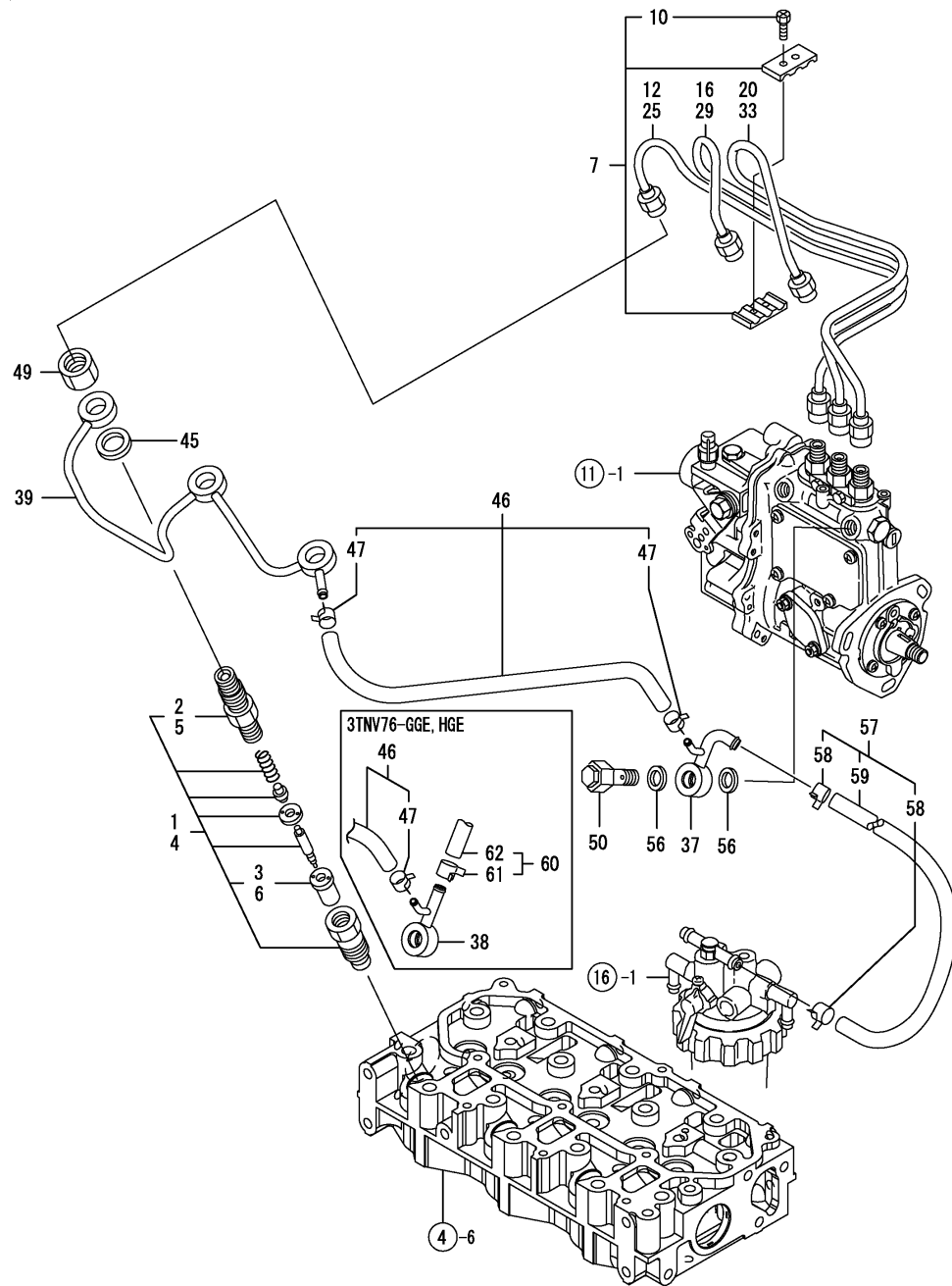
(A)=3TNV76-NBK (D)=
 (B)=3TNV76-GGE (E)=
 (C)=3TNV76-HGE (F)=



REF.	LEV.	PARTS NO.	DESCRIPTION	QTY						I	R
				(A)	(B)	(C)	(D)	(E)	(F)		
140	2	119742-61700	SPRING, GOVERNOR				1				
141	2	129209-61930	CAP NUT		1	1					
142	2	129209-61970	PLATE		1	1					
143	2	119653-77950	SOLENOID, STOP		1	1					
144	2	23414-120016	GASKET 12		1	1					
145	2	129155-61470	BOLT, FUEL CONTROL		1						
146	2	26756-060002	LOCK NUT 6		1						
147	2	158601-61700	LIMITER ASSY, FUEL				1				

Remarks
 (1) SELECTIVE PARTS: CERTAIN THE CLASSIFICATION MARK, THEN PLACE YOUR ORDER.(REF. TO ILLUSTRATION)
 * THIS FIGURE(GOVERNOR ASSY)IS INCORPORATED IN THE FUEL INJECTION PUMP ASSY(FIG.13).

Fig.15. FUEL INJECTION VALVE



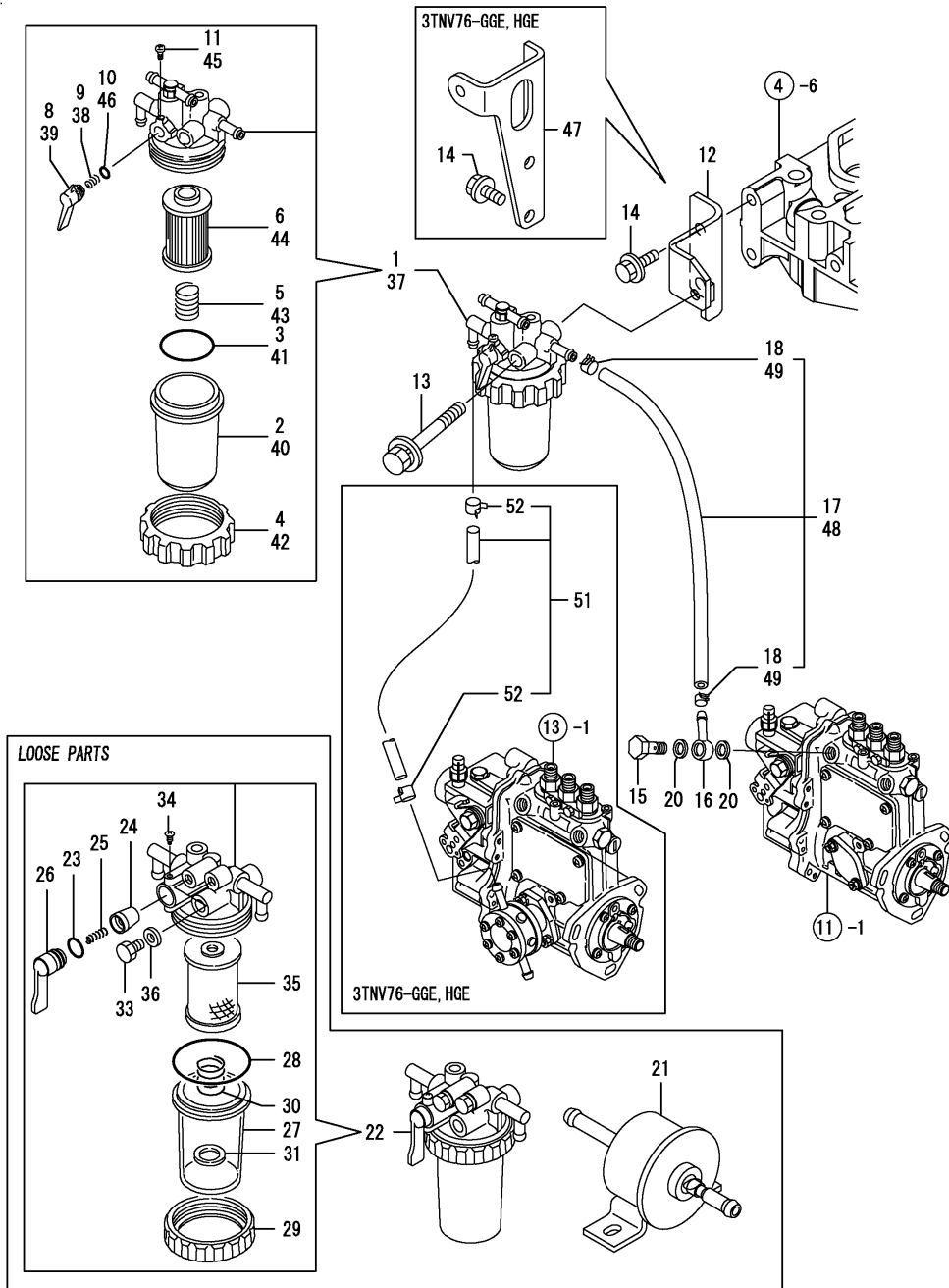
Y00R5740 15. FUEL INJECTION VALVE

(A)=3TNV76-NBK (D)=
 (B)=3TNV76-GGE (E)=
 (C)=3TNV76-HGE (F)=

REF.	LEV.	PARTS NO.	DESCRIPTION	QTY						I	R
				(A)	(B)	(C)	(D)	(E)	(F)		
1	1	119717-53001	VALVE ASSY,INJECTION	3	3						
2	2	118200-53010	HOLDER, NOZZLE	3	3						
3	2	119717-53010	NOZZLE ASSY	3	3						
4	1	119515-53001	VALVE ASSY,INJECTION						3		
5	2	118200-53010	HOLDER, NOZZLE						3		
6	2	119515-53010	NOZZLE ASSY						3		
7	1	129150-59120	RETAINER, INJ. PIPE	1	1	1					
10	2	129150-59131	BOLT M4X14,HEX.SCKT.	2	2	2					
12	1	119717-59810	PIPE, FUEL INJECTION	1	1						
16	1	119717-59820	PIPE, FUEL INJECTION	1	1						
20	1	119717-59830	PIPE, FUEL INJECTION	1	1						
25	1	119746-59810	PIPE, FUEL INJECTION						1		
29	1	119746-59820	PIPE, FUEL INJECTION						1		
33	1	119746-59830	PIPE, FUEL INJECTION						1		
37	1	119515-59580	JOINT, OVER FLOW	1							
38	1	119840-59570	JOINT		1	1					
39	1	119717-59510	PIPE ASSY, RETURN	1	1	1					
45	1	129901-59560	GASKET, RETURN	3	3	3					
46	1	119717-59570	PIPE, FUEL RETURN	1	1	1					
47	2	124066-59100	CLAMP 8	2	2	2					
49	1	119620-59700	NUT	3	3	3					
50	1	119813-59950	VALVE ASSY, CHECK	1	1	1					
56	1	22190-120002	SEAL WASHER 12	2	2	2					
57	1	129210-59060	PIPE ASSY, FUEL OIL	1							
58	2	124766-59050	CLAMP 12		2						
59	2	171051-59050	PIPE, FUEL		1						
60	1	129210-59170	PIPE ASSY, FUEL OIL			1	1				
61	2	124766-59050	CLAMP 12		2	2					
62	2	105225-59511	PIPE, FUEL OIL		1	1					

(A)=3TNV76-NBK (D)=
 (B)=3TNV76-GGE (E)=
 (C)=3TNV76-HGE (F)=

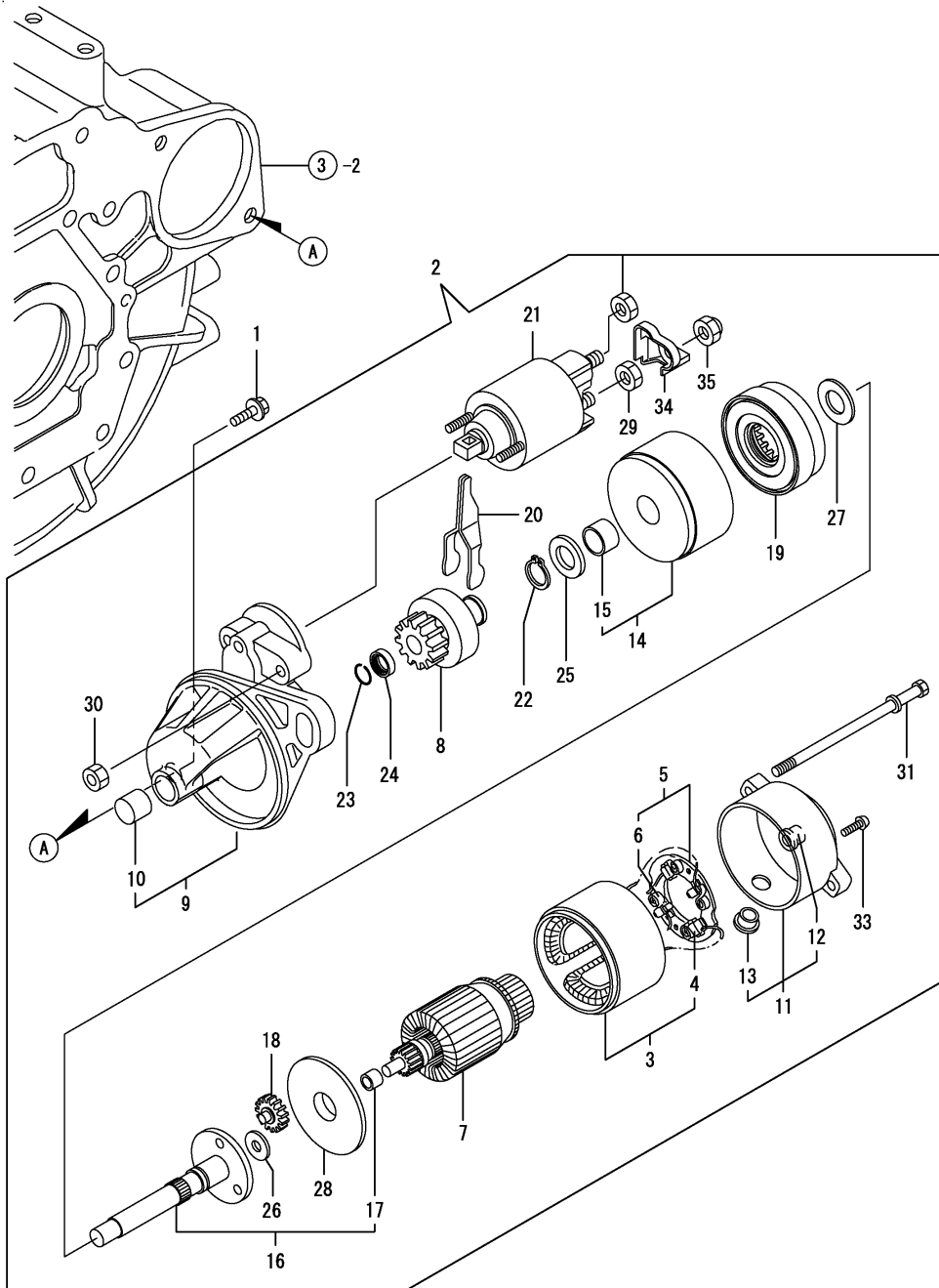
Fig.16. FUEL LINE



REF.	LEV.	PARTS NO.	DESCRIPTION	QTY						I	R
				(A)	(B)	(C)	(D)	(E)	(F)		
1	1	119740-55600	STRAINER ASSY	1							
2	2	121254-55510	CUP, STRAINER	1							
3	2	102103-55520	O-RING	1							
4	2	110250-55610	RING, RETAINING	1							
5	2	121250-55620	SPRING	1							
6	2	119810-55650	ELEMENT	1							
8	2	119810-55340	LEVER	1							
9	2	104200-55330	SPRING, TAPER VALVE	1							
10	2	24311-240100	O-RING 1A P-10A	1							
11	2	104200-55750	SCREW M 4	1							
12	1	119740-55660	BRACKET, FILTER	1							
13	1	26014-080702	BOLT W/WASHER M8X 70	1	1	1					
14	1	26106-080142	BOLT M 8X 14 PLATED	2	2	2					
15	1	103854-39140	BOLT, PIPE JOINT	1	1	1					
16	1	101304-59020	JOINT 12, PIPE	1	1	1					
17	1	129210-59030	PIPE ASSY, FUEL OIL	1							
18	2	124766-59050	CLAMP 12	2							
20	1	22190-120002	SEAL WASHER 12	2	2	2					
21	1	119225-52102	PUMP ASSY, FUEL FEED	1							
22	1	129335-55700	SEPARATOR, WATER	1	1	1					
23	2	24311-240100	O-RING 1A P-10A	1	1	1					
24	2	104200-55321	VALVE, TAPER	1	1	1					
25	2	104200-55330	SPRING, TAPER VALVE	1	1	1					
26	2	104200-55341	HANDLE, COCK	1	1	1					
27	2	124064-55510	BOWL, FUEL STRAINER	1	1	1					
28	2	102103-55520	O-RING	1	1	1					
29	2	110250-55610	RING, RETAINING	1	1	1					
30	2	121257-55720	SPRING, SCREEN	1	1	1					
31	2	121257-55731	FLOAT	1	1	1					
33	2	101720-55750	PLUG 6	2	2	2					
34	2	104200-55750	SCREW M 4	1	1	1					
35	2	171081-55910	SCREEN	1	1	1					
36	2	23418-060000	GASKET 6, NYLON	2	2	2					
37	1	119833-55620	STRAINER ASSY, FUEL		1	1					
38	2	104200-55330	SPRING, TAPER VALVE		1	1					
39	2	119810-55340	LEVER		1	1					
40	2	121254-55510	CUP, STRAINER		1	1					
41	2	102103-55520	O-RING		1	1					
42	2	110250-55610	RING, RETAINING		1	1					
43	2	121250-55620	SPRING		1	1					
44	2	119810-55650	ELEMENT		1	1					
45	2	104200-55750	SCREW M 4		1	1					
46	2	24311-240100	O-RING 1A P-10A		1	1					
47	1	119717-55650	BRACKET, FO FILTER		1	1					
48	1	129210-59080	PIPE ASSY, FUEL OIL		1	1					
49	2	124766-59050	CLAMP 12		2	2					
51	1	129210-59170	PIPE ASSY, FUEL OIL		1	1					
52	2	124766-59050	CLAMP 12		2	2					

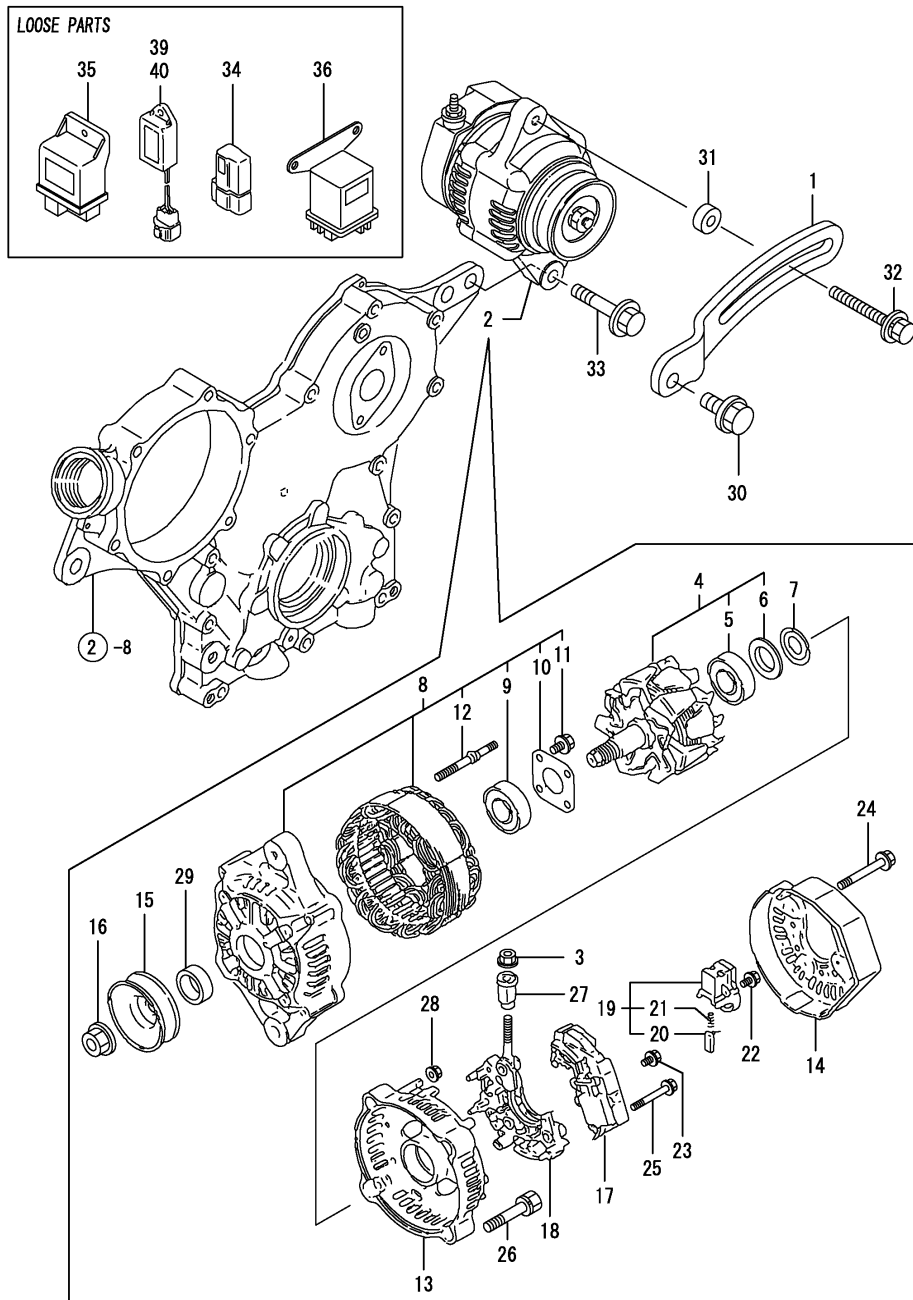
Fig.17. STARTING MOTOR

(A)=3TNV76-NBK (D)=
 (B)=3TNV76-GGE (E)=
 (C)=3TNV76-HGE (F)=



REF.	LEV.	PARTS NO.	DESCRIPTION	QTY						I	R
				(A)	(B)	(C)	(D)	(E)	(F)		
1	1	26106-100252	BOLT M10X 25 PLATED	2	2	2					
2	1	119717-77010	STARTER, P1.1	1	1	1					
3	2	X0281007750	COIL ASSY, FIELD	1	1	1					
4	3	X0280996180	STARTER KIT	2	2	2					
5	2	X0285105190	HOLDER ASSY.	1	1	1					
6	3	X0285205030	SPRING	4	4	4					
7	2	X0282005991	ARMATURE ASSY	1	1	1					
8	2	X0283006960	CLUTCH SUB-ASSY.	1	1	1					
9	2	X4284001590	HOUSING ASSY,STARTER	1	1	1					
10	3	X9491050100	NEEDLE BEARING	1	1	1					
11	2	X0285007030	FRAME ASSY.	1	1	1					
12	3	X9491040990	BEARING	1	1	1					
13	3	X0280626010	COVER	1	1	1					
14	2	X0284105040	BEARING SUB-ASSY.	1	1	1					
15	3	X9491034330	BEARING	1	1	1					
16	2	X0286105010	SHAFT SUB-ASSY.	1	1	1					
17	3	X9491034320	BEARING	1	1	1					
18	2	X0286305010	GEAR	3	3	3					
19	2	X0286355010	GEAR	1	1	1					
20	2	X0287405140	LEVER	1	1	1					
21	2	X0534007800	SWITCH,EMERGENCY	1	1	1					
22	2	X9055715000	RING	1	1	1					
23	2	X9490721360	RING	1	1	1					
24	2	X0280210331	NUT	1	1	1					
25	2	X9490138110	WASHER	1	1	1					
26	2	X9490138090	WASHER	1	1	1					
27	2	X9490138100	WASHER	1	1	1					
28	2	X0284525010	PLATE	1	1	1					
29	2	X9490562360	NUT	1	1	1					
30	2	X9490560750	NUT	2	2	2					
31	2	X9490423420	BOLT, THROUGH	2	2	2					
33	2	X9490065670	SCREW M 4X 6 (BS)	2	2	2					
34	2	X0280335350	COVER SET, TERMINAL	1	1	1					
35	2	X1289510130	NUT	1	1	1					

Fig.18. GENERATOR

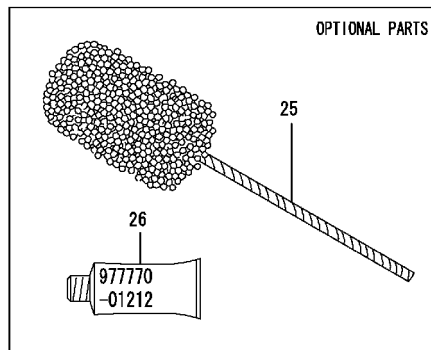
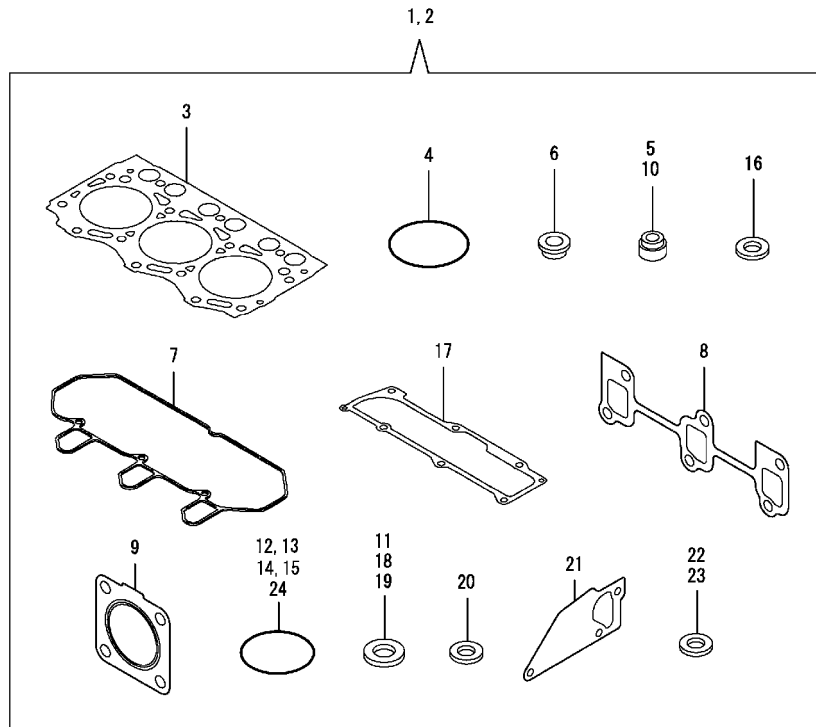


(A)=3TNV76-NBK (D)=
 (B)=3TNV76-GGE (E)=
 (C)=3TNV76-HGE (F)=

REF.	LEV.	PARTS NO.	DESCRIPTION	QTY						I	R
				(A)	(B)	(C)	(D)	(E)	(F)		
1	1	119717-77340	ADJUSTER, BELT	1	1	1					
2	1	129423-77200	GENERATOR	1	1	1					
3	2	X9490561001	NUT	1	1	1					
4	2	119620-77380	ROTOR ASSY	1	1	1					
5	3	119620-79240	BALL BEARING	1	1	1					
6	3	119620-79250	COVER, BEARING	1	1	1					
7	2	119620-79360	THRUST WASHER	1	1	1					
8	2	119620-77421	FLAME ASSY, DRIVE	1	1	1					
9	3	119620-79200	BALL BEARING	1	1	1					
10	3	119620-79210	PLATE	1	1	1					
11	3	119620-79220	SCREW	4	4	4					
12	3	119620-79230	BOLT, STUD	2	2	2					
13	2	119620-77440	FLAME ASSY, REAR	1	1	1					
14	2	129423-77450	COVER	1	1	1					
15	2	119620-77461	PULLEY	1	1	1					
16	2	119620-77471	NUT	1	1	1					
17	2	129423-77710	REGULATOR ASSY	1	1	1					
18	2	119620-79260	HOLDER	1	1	1					
19	2	119620-79270	HOLDER, BRUSH	1	1	1					
20	3	119620-77480	BRUSH ASSY	2	2	2					
21	3	119620-79280	SPRING	2	2	2					
22	2	119620-79290	SCREW	6	6	6					
23	2	119620-79300	SCREW	1	1	1					
24	2	119620-79310	BOLT	3	3	3					
25	2	119620-79320	SCREW W/WASHER	2	2	2					
26	2	119620-79330	BOLT	2	2	2					
27	2	119620-79340	INSULATION BUSH	1	1	1					
28	2	119620-79350	NUT	2	2	2					
29	2	119620-77490	COLLAR	1	1	1					
30	1	26106-080202	BOLT M 8X 20 PLATED	1	1	1					
31	1	119940-77270	ADJUSTER, BELT	1	1	1					
32	1	119802-77340	BOLT, ADJUSTER	1	1	1					
33	1	26106-100452	BOLT M10X 45 PLATED	1	1	1					
34	1	119643-66900	DIODE	1	1	1					
35	1	119802-77200	RELAY, SAFETY	1							
36	1	119650-77910	RELAY, GROW	1	1	1					
39	1	129155-77925	TIMER (3SEC)	1							
40	1	129211-77920	TIMER	1	1	1					

Fig.19. GASKET SET

(A)=3TNV76-NBK (D)=
 (B)=3TNV76-GGE (E)=
 (C)=3TNV76-HGE (F)=



REF.	LEV.	PARTS NO.	DESCRIPTION	QTY						I	R
				(A)	(B)	(C)	(D)	(E)	(F)		
1	1	719717-92670	GASKET SET(NON-ASB.)	1							1
2	1	719717-92680	GASKET SET(NON-ASB.)		1	1					1
3	2	119717-01330	GASKET, CYL.HEAD	1	1	1					
4	2	121850-51960	O-RING, F.I.PUMP	1	1	1					
5	2	119717-11340	SEAL, VALVE STEM	3	3	3					
6	2	129901-11450	PROTECTOR, NOZZLE	3	3	3					
7	2	119718-11310	GASKET, BONNET	1	1	1					
8	2	119717-13110	GASKET, MANIFOLD	1	1	1					
9	2	119515-13200	GASKET, SILENCER	2	1	1					
10	2	119717-11350	SEAL, VALVE STEM	3	3	3					
11	2	22190-080002	SEAL WASHER 8S	4	4	4					
12	2	24311-000320	O-RING 1A P-32.0	2	2	2					
13	2	119717-32060	O-RING, P15.0	1	1	1					
14	2	119624-32040	O-RING P 12.0	1	1	1					
15	2	119717-32050	O-RING, P17.0	3	3	3					
16	2	119600-11460	GASKET, NOZZLE	6	6	6					
17	2	119717-11331	GASKET, BONNET COVER	1	1	1					
18	2	124465-44950	GASKET 16	2	2	2					
19	2	22190-120002	SEAL WASHER 12	4	4	4					
20	2	129901-59560	GASKET, RETURN	3	3	3					
21	2	119717-42020	GASKET, WATER PUMP	1	1	1					
22	2	23414-080000	GASKET 8, ROUND	1	1	1					
23	2	22190-160002	SEAL WASHER 16S	1	1	1					
24	2	24341-000240	O-RING 1A S-24.0		1	1					
25	1	129400-92420	FLEX HORN	1	1	1					1
26	1	977770-01212	GASKET, LIQUID	1	1	1					1

Remarks
 (1) OPTIONAL PART.

OPTIONAL KIT

Model : 3TNV76-GGE

Fig.1. ENGINE FOOT

(A)=3TNV70-GGE (D)=3TNV76-GGE
 (B)=3TNV70-ASA (E)=3TNV76-CSA
 (C)=3TNV70-HGE (F)=3TNV76-HGE

REF.	LEV.	PARTS NO.	DESCRIPTION	Q'TY						I	R
				(A)	(B)	(C)	(D)	(E)	(F)		
1	1	119746-08100	ENGINE FOOTA	2	2	2	2	2	2		
2	1	119888-08110	BRACKET (B), ENGINE	2	2	2	2	2	2		
3	1	26106-100202	BOLT M10X 20 PLATED	8	8	8	8	8	8		
4	1	26106-100202	BOLT M10X 20 PLATED	8	8	8	8	8	8		

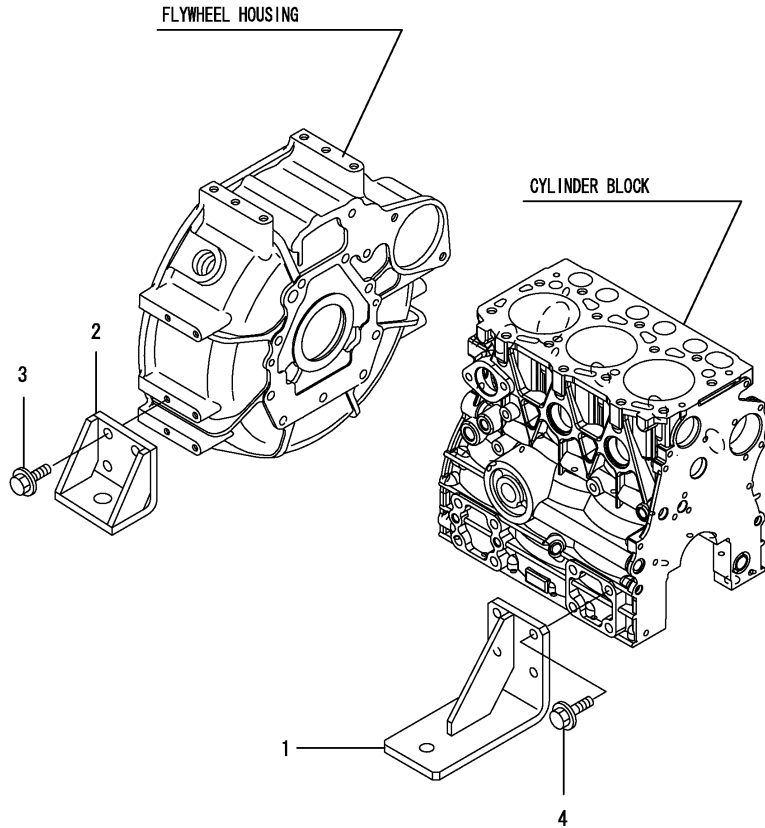
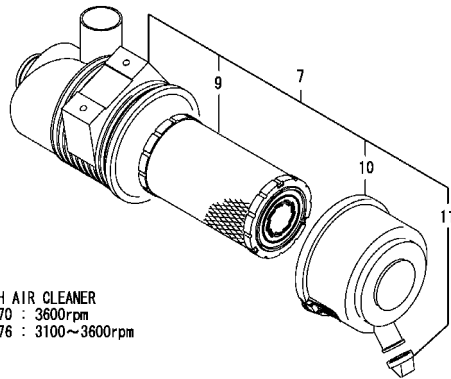
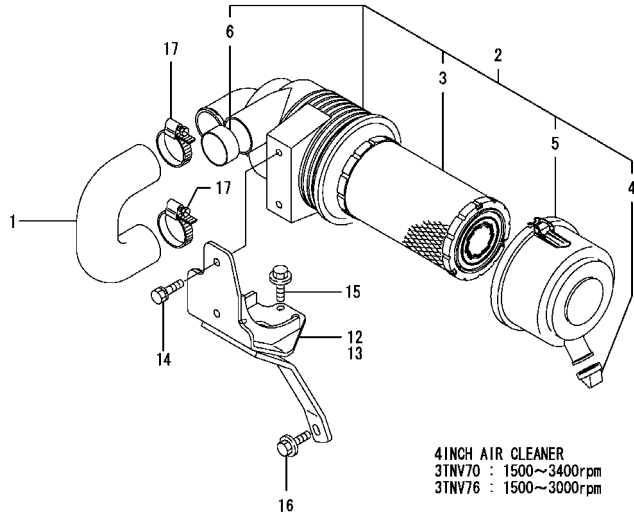


Fig.2. AIR CLEANER



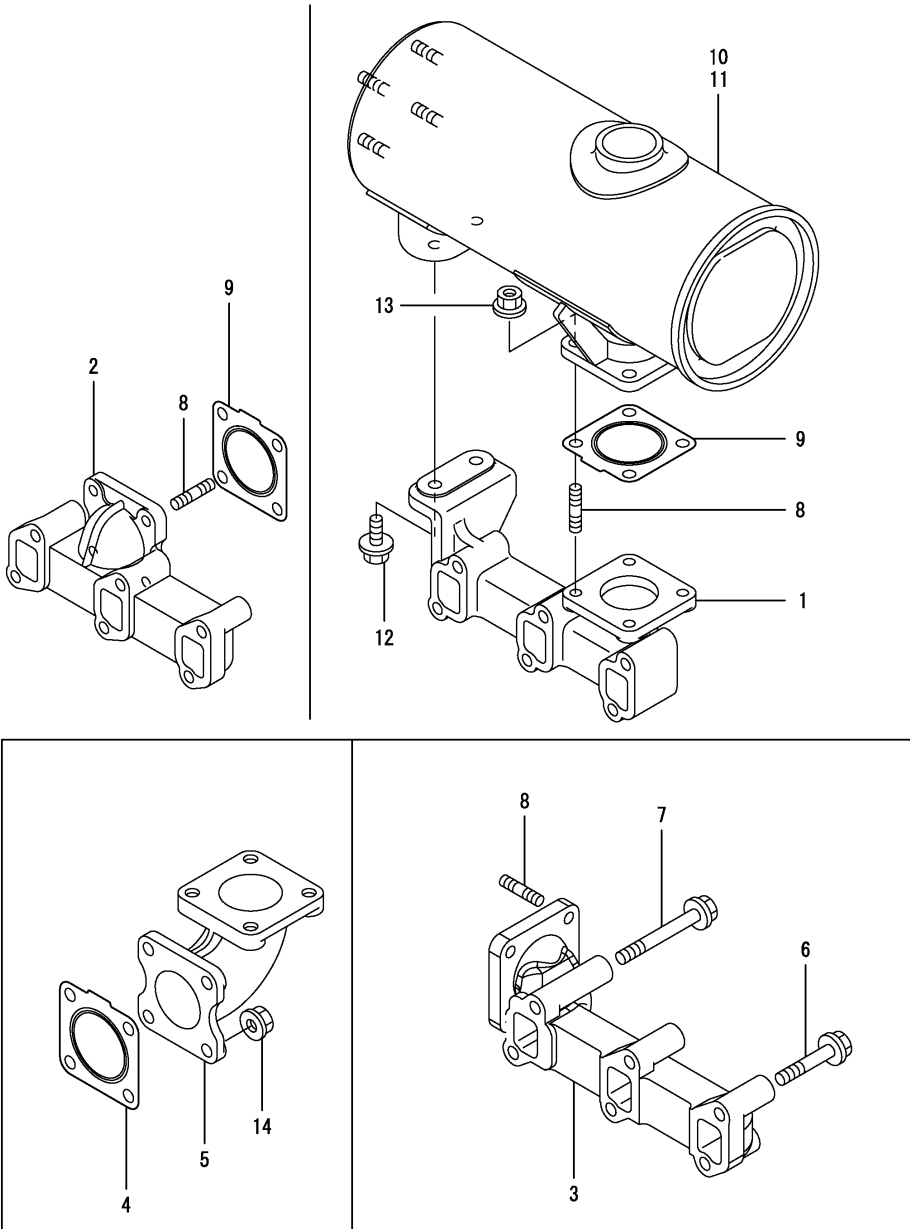
Remarks
 (1)FOR 3TNV70-HGE, 3000RPM ONLY,
 NOT APPLICABLE 3600RPM.
 FOR 3TNV76-CSA, LESS THAN 3000RPM
 ONLY.
 (2)FOR 3TNV70-HGE, 3000RPM ONLY,
 NOT APPLICABLE 3600RPM.
 FOR 3TNV76-CSA, LESS THAN 3000RPM
 ONLY.
 (3)FOR 3TNV76-CSA, LESS THAN 3000RPM
 ONLY.

(A)=3TNV70-GGE (D)=3TNV76-GGE
 (B)=3TNV70-ASA (E)=3TNV76-CSA
 (C)=3TNV70-HGE (F)=3TNV76-HGE

REF.	LEV.	PARTS NO.	DESCRIPTION	Q'TY						I R
				(A)	(B)	(C)	(D)	(E)	(F)	
1	1	119761-12020	HOSE, AIR INTAKE	1	1	1	1	1		1
2	1	119515-12501	CLEANER ASSY,AIR	1	1	1	1	1		2
3	2	119515-12520	ELEMENT 4,CLEANER	1	1	1	1	1		
4	2	119808-12540	VALVE, UNLOADER	1	1	1	1	1		
5	2	119336-12570	COVER ASY	1	1	1	1	1		
6	2	105027-12580	RING	1	1	1	1	1		
7	1	129608-12501	AIRCLEANER				1		1	1
9	2	119808-12520	ELEMENT, OUTER				1		1	1
10	2	119808-12530	COVER				1		1	1
11	2	119808-12540	VALVE, UNLOADER				1		1	1
12	1	119515-12600	BRACKET(AIR CLEANER	1	1	1				3
13	1	119761-12540	SUPPORT, AIR CLEANER				1	1		2
14	1	26013-080222	BOLT M 8X 22	2	2	2	2	2		
15	1	26106-060142	BOLT M 6X 14 PLATED	2	2	2	2	2		
16	1	26106-080162	BOLT M 8X 16 PLATED	1	1	1	1	1		
17	1	23000-054000	CLAMP 54	2	2	2	2	2		

Fig.3. EXHAUST MANIFOLD & SILENCER

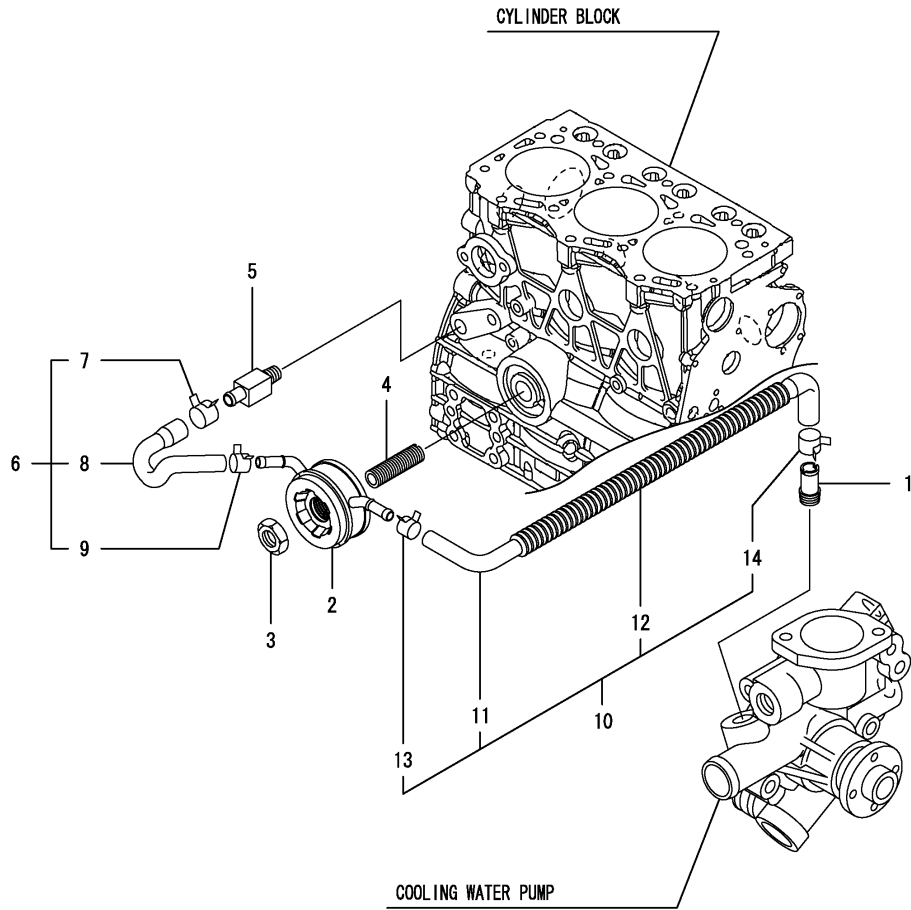
(A)=3TNV70-GGE (D)=3TNV76-GGE
 (B)=3TNV70-ASA (E)=3TNV76-CSA
 (C)=3TNV70-HGE (F)=3TNV76-HGE



REF.	LEV.	PARTS NO.	DESCRIPTION	Q'TY						I	R
				(A)	(B)	(C)	(D)	(E)	(F)		
1	1	119717-13109	MANIFOLD, EXHAUST	1	1	1	1	1	1		
2	1	119718-13100	MANIFOLD, EXHAUST	1	1	1	1	1	1		
3	1	119740-13100	MANIFOLD, EXHAUST	1	1	1	1	1	1		
4	1	119515-13200	GASKET, SILENCER	1	1	1	1	1	1		
5	1	119620-13550	ELBOW, EXHAUST	1	1	1	1	1	1		
6	1	119802-13620	BOLT M 8X 50 PLATED	4	4	4	4	4	4		
7	1	123900-13620	BOLT M 8X 70 PLATED	2	2	2	2	2	2		
8	1	119131-18320	BOLT M 8X 22	4	4	4	4	4	4		
9	1	119515-13200	GASKET, SILENCER	1	1	1	1	1	1		
10	1	119717-13550	SILENCER	1			1				
11	1	119717-13500	SILENCER		1	1		1	1		
12	1	26106-080252	BOLT M 8X 25 PLATED	2	2	2	2	2	2		
13	1	26306-080002	NUT	4	4	4	4	4	4		
14	1	26306-080002	NUT	4	4	4	4	4	4		

Fig.4. OIL COLLER

(A)=3TNV70-GGE (D)=3TNV76-GGE
 (B)=3TNV70-ASA (E)=3TNV76-CSA
 (C)=3TNV70-HGE (F)=3TNV76-HGE



REF.	LEV.	PARTS NO.	DESCRIPTION	Q'TY						I	R
				(A)	(B)	(C)	(D)	(E)	(F)		
1	1	121851-11970	JOINT, PIPE				1	1	1		
2	1	119717-33010	OIL COOLER				1	1	1		
3	1	129417-33110	NUT OIL COOLER				1	1	1		
4	1	129417-35150	STUD				1	1	1		
5	1	129006-44480	JOINT				1	1	1		
6	1	119717-49020	CW HOSEA				1	1	1		
7	2	171008-03990	CLAMP 18.5				1	1	1		
8	2	119717-49010	PIPE,COOLER OUT				1	1	1		
9	2	23080-015000	CLAMP				1	1	1		
10	1	119743-49020	CW HOSEB				1	1	1		
11	2	119743-49010	PIPE,COOLER IN				1	1	1		
12	2	128370-59130	PROTECTOR,FUEL PIPE				1	1	1		
13	2	23080-015000	CLAMP				1	1	1		
14	2	23080-018000	CLAMP 18				1	1	1		

Fig.5. RADIATOR

(A)=3TNV70-GGE (D)=3TNV76-GGE
 (B)=3TNV70-ASA (E)=3TNV76-CSA
 (C)=3TNV70-HGE (F)=3TNV76-HGE

REF.	LEV.	PARTS NO.	DESCRIPTION	Q'TY						I	R
				(A)	(B)	(C)	(D)	(E)	(F)		
1	1	119717-44500	RADIATOR ASSY	1							
2	2	129107-44590	CAP, RADIATOR	1							
3	2	119515-44600	SHROUD	1							
4	2	119515-44610	GASKET	2							
5	2	26014-060122	BOLT M 6X 12	4							
6	1	119515-44560	RADIATOR		1	1					
7	2	129107-44590	CAP, RADIATOR		1	1					
8	2	119515-44600	SHROUD		1	1					
9	2	26014-060122	BOLT M 6X 12		4	4					
10	1	119802-44500	RADIATOR ASSY						1		
11	2	129107-44590	CAP, RADIATOR						1		
12	2	119802-44600	SHROUD						1		
13	2	119515-44610	GASKET						2		
14	2	26014-060122	BOLT M 6X 12						4		
15	1	129004-44500	RADIATOR ASSY							1	1
16	2	129107-44590	CAP, RADIATOR							1	1
17	2	119802-44600	SHROUD							1	1
18	2	26014-060122	BOLT M 6X 12							4	4
19	1	124450-44510	SUB-TANK ASSY	1	1	1	1	1	1	1	1
21	2	124450-44530	CAP	1	1	1	1	1	1	1	1
22	2	124450-44560	CLAMP	1	1	1	1	1	1	1	1
23	2	23061-070230	PIPE 7X 230	1	1	1	1	1	1	1	1
24	1	124450-44550	CLAMP, SUB-TANK	1	1	1	1	1	1	1	1
25	1	119802-44560	FAN GUARD	1	1	1	1	1	1	1	1
26	1	121256-44600	BRACKET, SUB-TANK	1	1	1	1	1	1	1	1
27	1	119255-44660	RUBBER	2	2	2	2	2	2	2	2
28	1	119802-49010	CW-T (A)	1	1	1	1	1	1	1	1
29	1	119802-49020	CW-T (B)	1	1	1	1	1	1	1	1
30	1	119265-44740	FAN D=310		1						
31	1	121267-44760	SPACER		1					1	
32	1	171340-44740	FAN, COOLING							1	
33	1	26106-060162	BOLT M 6X 16 PLATED	8	8	8	8	8	8	8	8
34	1	26106-060302	BOLT M 6X 30 PLATED		4					4	

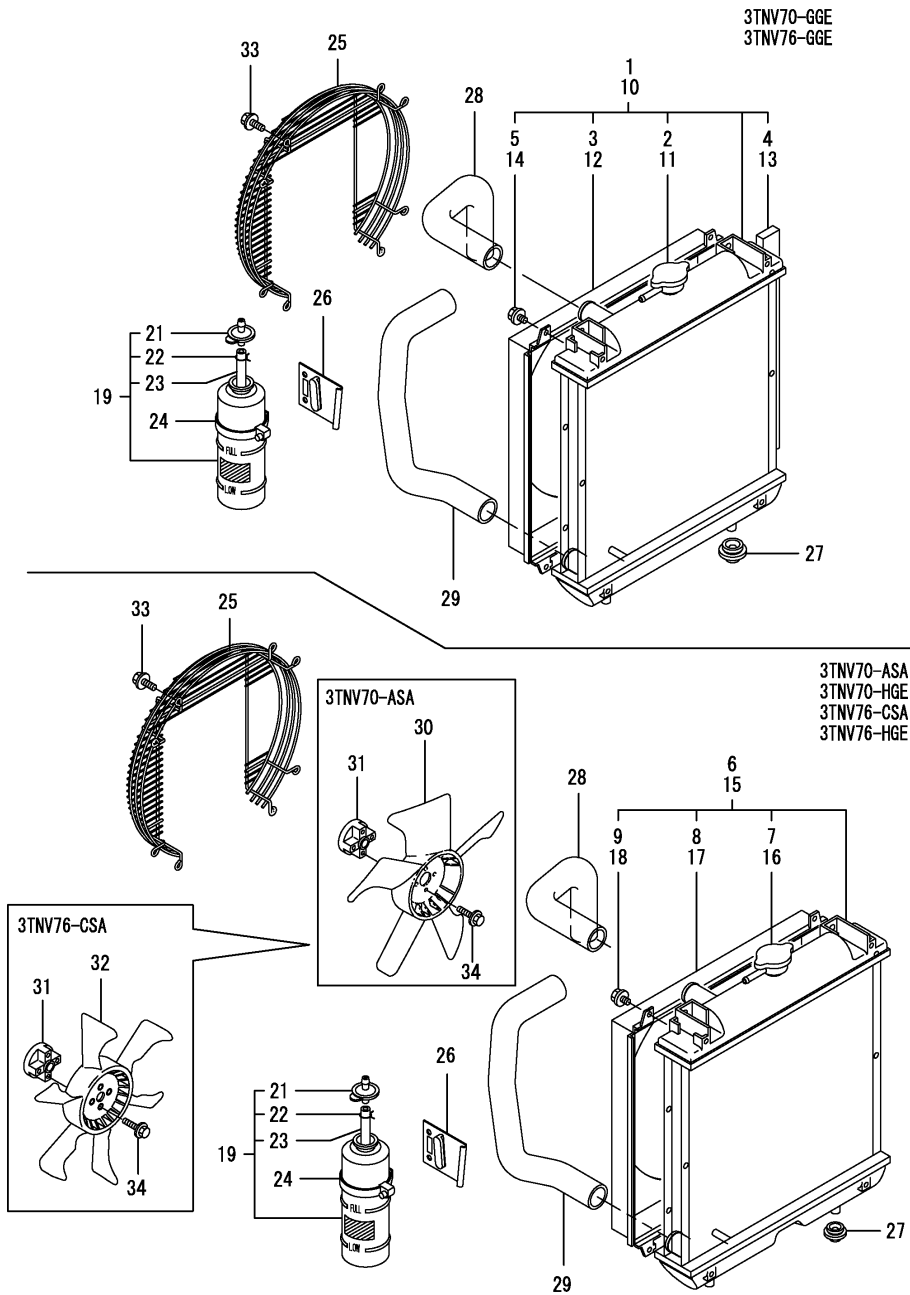
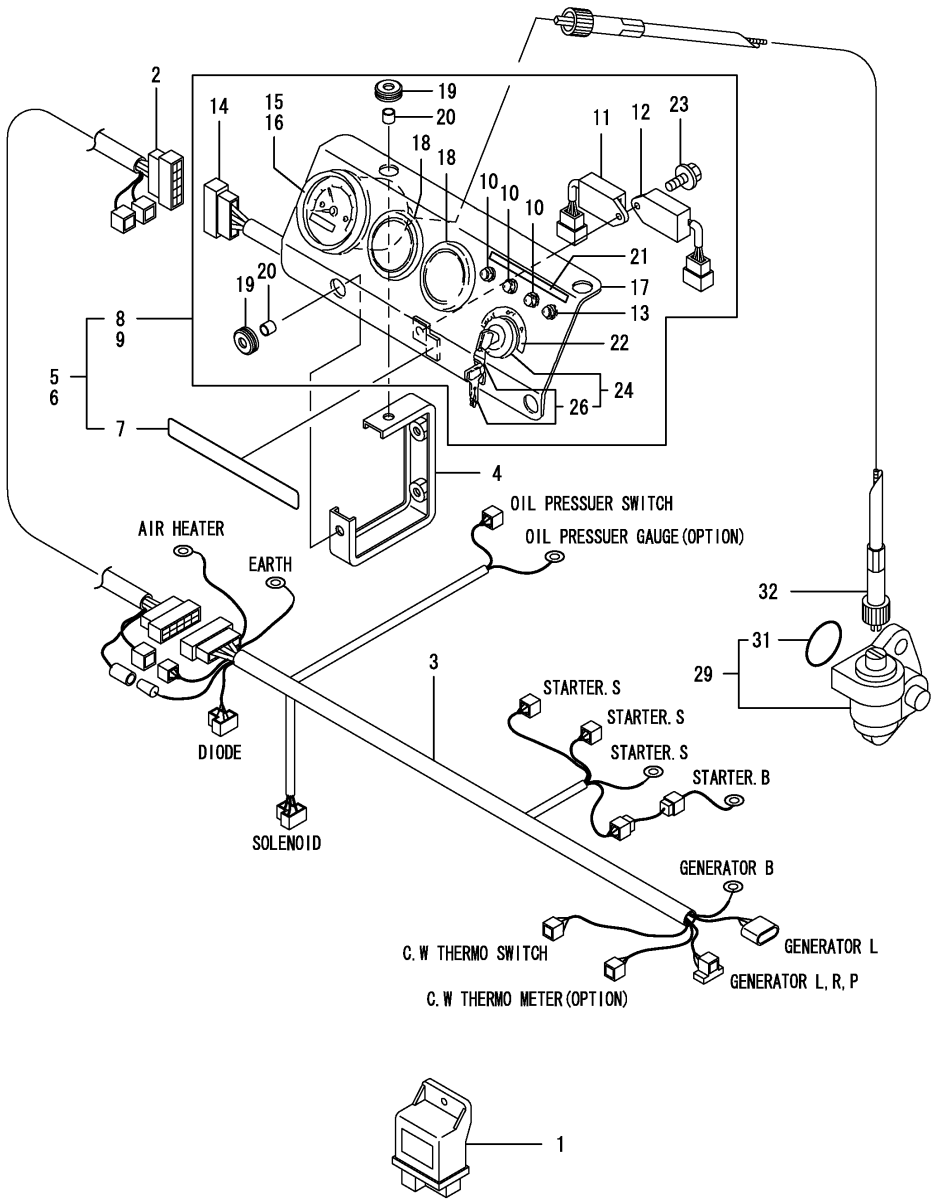


Fig.6. ELECTRIC PARTS

(A)=3TNV70-GGE (D)=3TNV76-GGE
 (B)=3TNV70-ASA (E)=3TNV76-CSA
 (C)=3TNV70-HGE (F)=3TNV76-HGE



REF.	LEV.	PARTS NO.	DESCRIPTION	Q'TY						I R
				(A)	(B)	(C)	(D)	(E)	(F)	
1	1	119802-77200	RELAY, SAFETY	1	1	1	1	1	1	
2	1	119946-91010	CORD,EXTENSION 2M	1	1	1	1	1	1	
3	1	119888-91026	HARNESS, WIRE	1	1	1	1	1	1	
4	1	119888-91120	SUPPORT, PANEL	2	2	2	2	2	2	
5	1	119888-91302	PANELBOARD ASSY	1			1			
6	1	119888-91102	PANELBOARD ASSY		1	1		1	1	
7	2	104507-07190	LABEL, YANMAR	1	1	1	1	1	1	
8	2	119888-91321	PANEL ASSY, INSTRU.	1			1			
9	2	170121-91101	PANEL ASSY, INSTRUM.		1	1		1	1	
10	3	124732-77720	LAMP, CHARGING	3	3	3	3	3	3	
11	3	128300-77920	TIMER	1	1	1	1	1	1	
12	3	129211-77920	TIMER	1	1	1	1	1	1	
13	3	124559-77971	LAMP, PILOT	1	1	1	1	1	1	
14	3	119888-91032	HARNESS B, WIRE	1	1	1	1	1	1	
15	3	171082-91100	TACHOMETER	1			1			
16	3	171080-91101	TACHOMETR		1	1		1	1	
17	3	119888-91110	BODY	1	1	1	1	1	1	
18	3	124770-91220	COVER 52	2	2	2	2	2	2	
19	3	121400-91520	ABSORBER	4	4	4	4	4	4	
20	3	121400-91530	SPACER	4	4	4	4	4	4	
21	3	119888-91610	LABEL, CW & OIL LAMP	1	1	1	1	1	1	
22	3	119888-91620	LABEL, KEY SWITCH	1	1	1	1	1	1	
23	3	26106-060102	BOLT 6X 10 PLATED	1	1	1	1	1	1	
24	3	933110-00100	SWITCH ASSY, STARTER	1	1	1	1	1	1	
26	4	933110-00301	KEY ASSY	2	2	2	2	2	2	
29	1	129150-91400	GEAR UNIT,TACHOMETER	1	1	1	1	1	1	
31	2	24341-000240	O-RING 1A S-24.0	1	1	1	1	1	1	
32	1	124737-91420	CABLE, TACHOMETER	1	1	1	1	1	1	