



# PARTS CATALOG

Published

2011/9 (Sep.)

---

0CW10-G54800

# P R E F A C E

1. This parts catalog is the 1st edition of 3TNM72-HGE.

Pub.No. : 0CW10-G54800

Published : September, 2009

2. Model name

Engine model	Vehicle	Vehicle made by
3TNM72-HGE	-	-

## Directions for the Parts Catalog.

- The parts stipulated in this Parts Catalog are not necessarily standard equipped parts.
- Parts may change without prior notice.
- The following is an example of the Parts Catalog format.

REF.	LEV.	PARTS NO.	DESCRIPTION	Q'TY						I	R
				(A)	(B)	(C)	(D)	(E)	(F)		
1	1	729595-51390	FUEL INJECTION PUMP	1	1	1	1	1			1
1-1	1	729595-51391	FUEL INJECTION PUMP	1	1	1	1	1		N	1
		(A=E00185) (B=E00200)									
3	2	26022-060162	SCREW M 6X 16	9	9	9	9	9			
3-1	2	26022-060162	SCREW M 6X 16	4	4	4	4	4		K	
		(A=E00156) (B=E00156) (C=E00156) (D=E00156) (E=E00156)									
4	2	129470-51040	CAMSHAFT	1	1	1	1	1			
5	2	122710-51050	BEARING, ROLLER	2	2	2	2	2			
6	2	129470-51060	RETAINER	1	1	1	1	1			

Remarks
(1) BOOST COMPEMSATOR TYPE. OPTIONAL PART, TO E00155,(4JH-DT, 4JH-DTZ

### ① Ref. No.

The Ref. No. listed may not be in accordance with the illustration Ref. No.

(Ex.) Illustration No.

List Ref No.

1

1

(Before change)

1-1

(After change)

For interchangeable symbols N, R and K, illustrations for new parts may be abbreviated.

### ② Lev. (Level)

Level indication

The numbers below indicate the level of relativity towards the main part.

1 ----- Main parts (Assembly parts)

2 ----- Sub component included in " 1 ".

3 ----- Sub component included in " 2 ".

Note) Parts that are not for sale are partially illustrated but not listed.

### ③ Interchangeability Mark

When a part change takes place, one of the following interchangeability symbols is indicated beside the part.

Symbol	Interchangeability	Contents note
N	Old $\begin{matrix} \leftarrow \text{Yes} \\ \text{No} \rightarrow \end{matrix}$ New	New Part is interchangeable for Old Part but Old Part is not interchangeable for New Part.
Q	Old $\begin{matrix} \leftarrow \text{No} \\ \text{Yes} \rightarrow \end{matrix}$ New	New Part is not interchangeable for Old Part but Old Part is interchangeable for New Part.
R	Old $\begin{matrix} \leftarrow \text{Yes} \\ \text{Yes} \rightarrow \end{matrix}$ New	New/ Old Parts are both interchangeable.
S	Old $\begin{matrix} \leftarrow \text{No} \\ \text{No} \rightarrow \end{matrix}$ New	New/ Old Parts are both not interchangeable.
W		Part newly added.
Z		Part discontinued.
F		Not interchangeable by a single part but interchangeable together with related parts.
K		Changes only for used parts quantities.

### ④ Effective Machine No.

When a part changes, the effective Machine No. will be indicated in the (A)-(F) column.

Product Symbol	Product No.	Product Symbol	Product No.
C	Clutch No. Compressor No.	F	Machine No. (Agricultural Equip.)
D	Drive No.	M	Machine No.
E	Engine No.		

Note 1) A date may follow the symbol. (Ex.) 1996.01

Note 2) "XXXXX" and "ZZZZZ" are for parts that could not be predicted or for engine models that could not be identified.

Note 3) (A=E00185) is the E (Engine Serial Number) for the column (A) model (in this case 4JH-DT) after the parts design change.

### ⑤ Remarks Mark

Figures or alphabets (symbols) are entered in the remarks column.

The comments (remarks) on parts that are indicated at the bottom of the illustration are the same symbols as those stated above.

# CONTENTS

MODEL : 3TNM72-HGE  
PC NO : 0CW10-G54800

Fig.No. GROUP NAME  
3TNM72-HGE

Fig.No. GROUP NAME

1. CYLINDER BLOCK
2. GEAR HOUSING
3. FLYWHEEL HOUSING & OIL SUMP
4. CYLINDER HEAD & BONNET
5. EXHAUST MANIFOLD
6. CAMSHAFT & DRIVING GEAR
7. CRANKSHAFT & PISTON
8. LUB.OIL SYSTEM
9. COOLING WATER SYSTEM
10. FUEL INJECTION PUMP
11. GOVERNOR
12. FUEL INJECTION VALVE
13. FUEL LINE
14. STARTING MOTOR
15. GENERATOR
16. GASKET SET
17. SHORT BLOCK

Fig.1. CYLINDER BLOCK

(A)=3TNM72-HGE

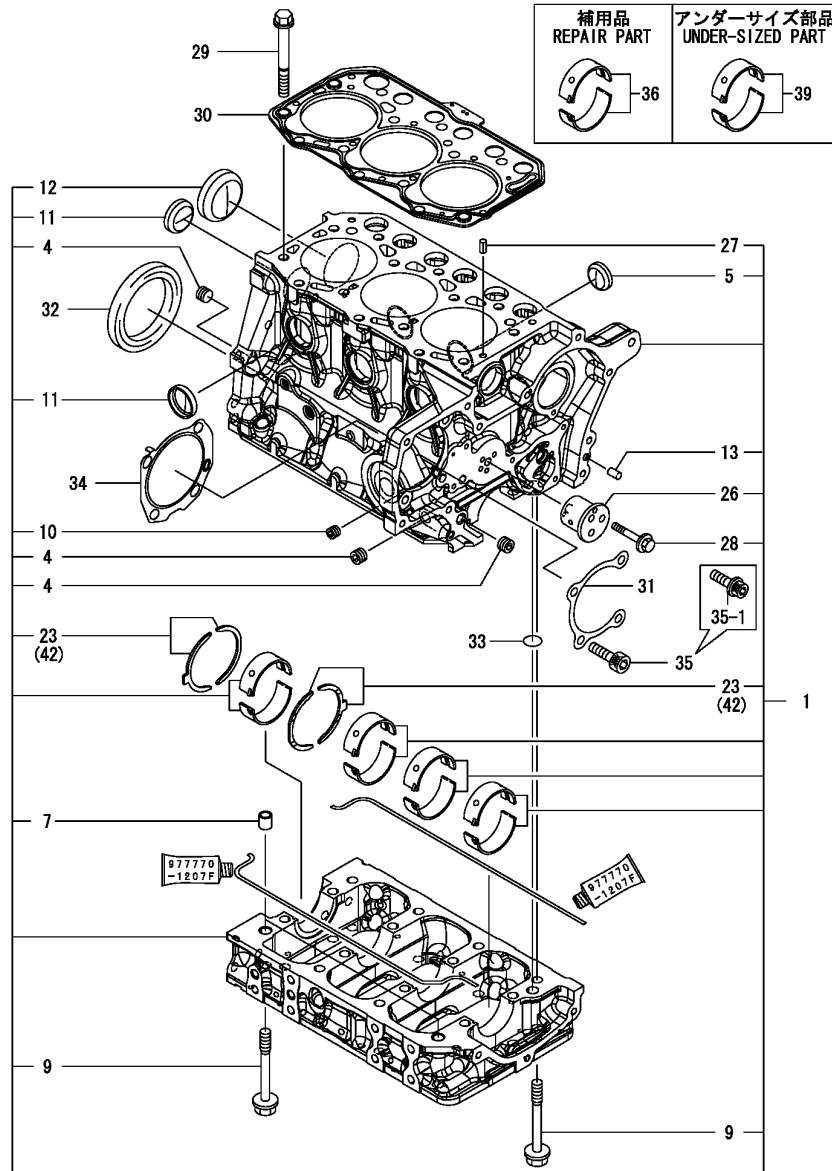
(B)=

(C)=

(D)=

(E)=

(F)=



REF.	LEV.	PARTS NO.	DESCRIPTION	QTY						I	R
				(A)	(B)	(C)	(D)	(E)	(F)		
1	1	119027-01560	BLOCK ASSY, CYLINDER	1							
4	2	124060-01050	PLUG, PT1/8	3							
5	2	119125-01970	PLUG, 25	3							
7	2	119125-01960	PIPE, KNOCK	2							
9	2	119125-02061	BOLT, METAL CAP	16							
10	2	23876-005000	PLUG, PT1/16	1							
11	2	27241-300000	PLUG 30	4							
12	2	27241-450000	PLUG 45	1							
13	2	119620-01620	PARALLEL PIN, M6X10	2							
23	2	119125-02930	METAL ASSY, THRUST	2							
26	2	119125-25050	SHAFT, IDLE GEAR	1							
27	2	22351-060012	SPRING PIN 6X12	2							
28	2	26106-060402	BOLT M 6X 40 PLATED	3							
29	1	119515-01200	BOLT, CYLINDER HEAD	14							
30	1	119025-01331	GASKET, CYL.HEAD	1							
31	1	119125-01790	GASKET, FOP BOLT	1							
32	1	119734-02220	SEAL, OIL	1							
33	1	129900-32040	O-RING, P14	1							
34	1	119125-51800	GASKET, PUMP	1							
35	1	26450-080252	BOLT M 8X 25	4							
35-1	1	119125-01800	FLANGE BOLT, M8X1.25	4							N
(A=EZZZZZ)											
36	1	119125-02900	MAIN BEARING SET	4							1
39	1	119125-02910	MAIN METAL US=0.25	4							2
42	1	119125-02940	BEARING,THRUST .25OS	2							3

Remarks

- (1)REPAIR PART.
- (2)UNDER-SIZED(U.S=0.25)PART.
- (3)OVER-SIZED(O.S=0.25)PART.

Fig.2. GEAR HOUSING

(A)=3TNM72-HGE

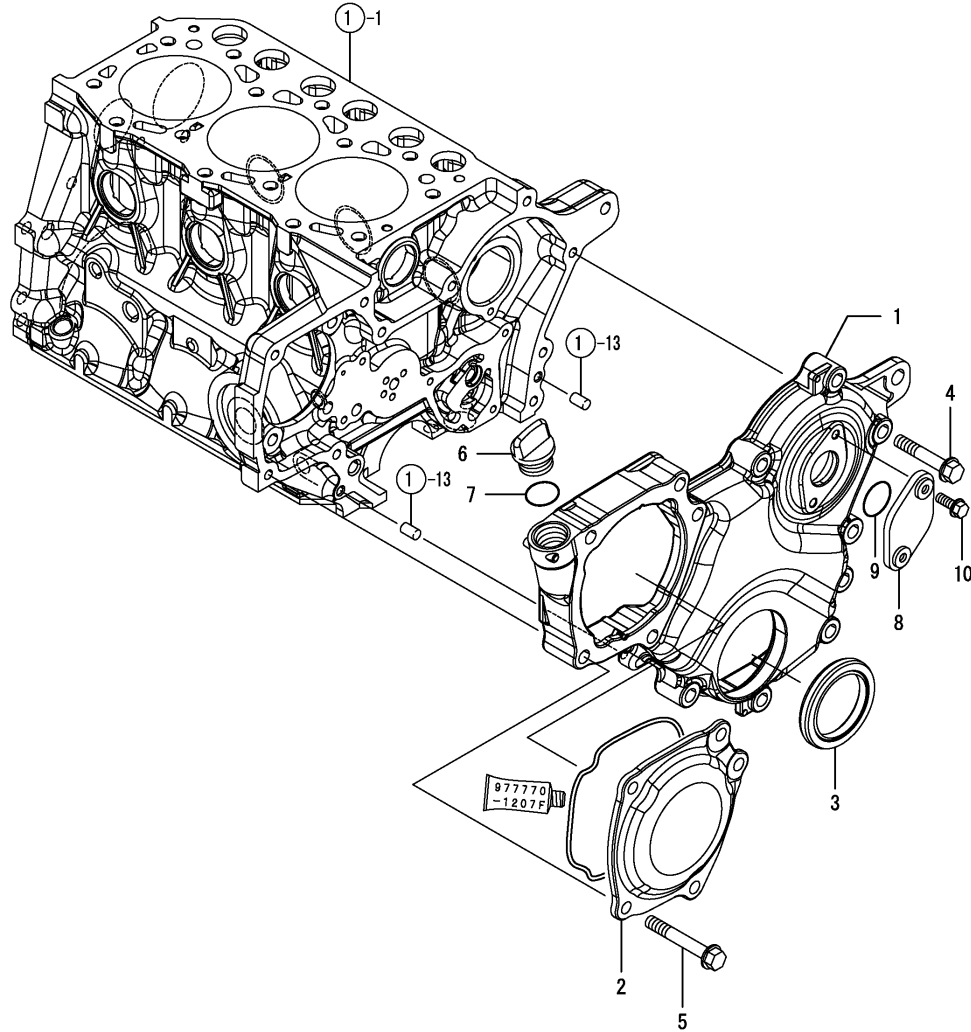
(B)=

(C)=

(D)=

(E)=

(F)=



REF.	LEV.	PARTS NO.	DESCRIPTION	QTY						I	R
				(A)	(B)	(C)	(D)	(E)	(F)		
1	1	119025-01530	CASE GEAR,TACHO	1							
2	1	119125-01750	COVER, PUMP TIMING	1							
3	1	119717-01800	SEAL, OIL	1							
4	1	26106-080352	BOLT M 8X 35 PLATED	8							
5	1	26106-080452	BOLT M 8X 45 PLATED	5							
6	1	106760-01770	CAP, L.O.SUPPLY	1							
7	1	24311-000180	O-RING 1A P-18.0	1							
8	1	121023-01551	COVER, TACHOMETER	1							
9	1	24341-000240	O-RING 1A S-24.0	1							
10	1	26106-060162	BOLT M 6X 16 PLATED	2							

Fig.3. FLYWHEEL HOUSING & OIL SUMP

(A)=3TNM72-HGE

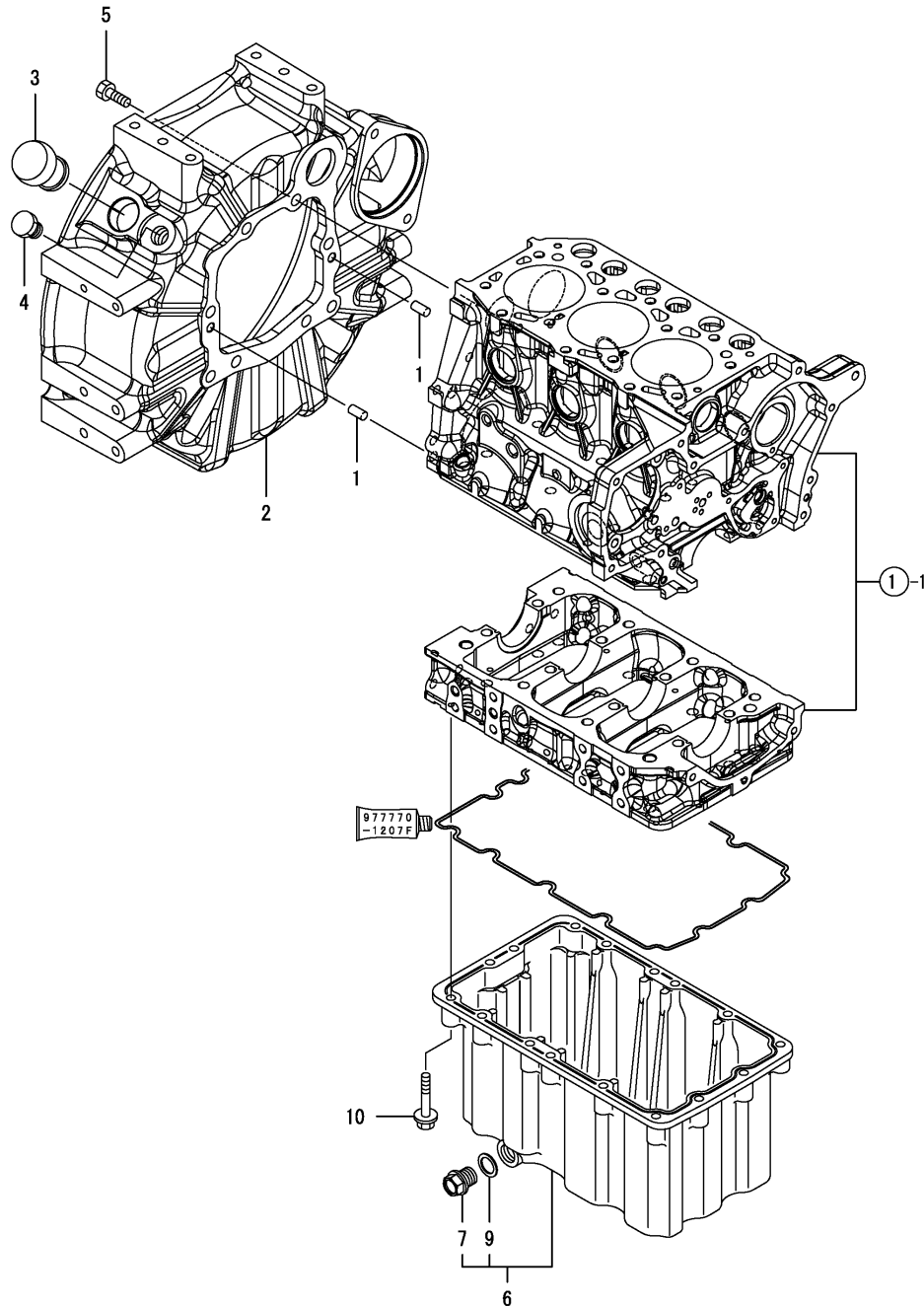
(B)=

(C)=

(D)=

(E)=

(F)=



REF.	LEV.	PARTS NO.	DESCRIPTION	QTY						I	R
				(A)	(B)	(C)	(D)	(E)	(F)		
1	1	129100-01580	PARALLEL PIN, M8X16	2							
2	1	119128-01600	HOUSING, WHEEL	1							
3	1	119620-01750	CAP, FLYWHEEL COVER	1							
4	1	129486-35210	PLUG, 3/4-16UNF	1							
5	1	26206-100252	BOLT M10X25	8							
6	1	119025-01760	SUMP ASSY, LUB.OIL	1							
7	2	105425-01690	PLUG, M16	1							
9	2	22190-160002	WASHER, 16	1							
10	1	26106-060352	BOLT M 6X 35 PLATED	16							

Fig.4. CYLINDER HEAD & BONNET

(A)=3TNM72-HGE

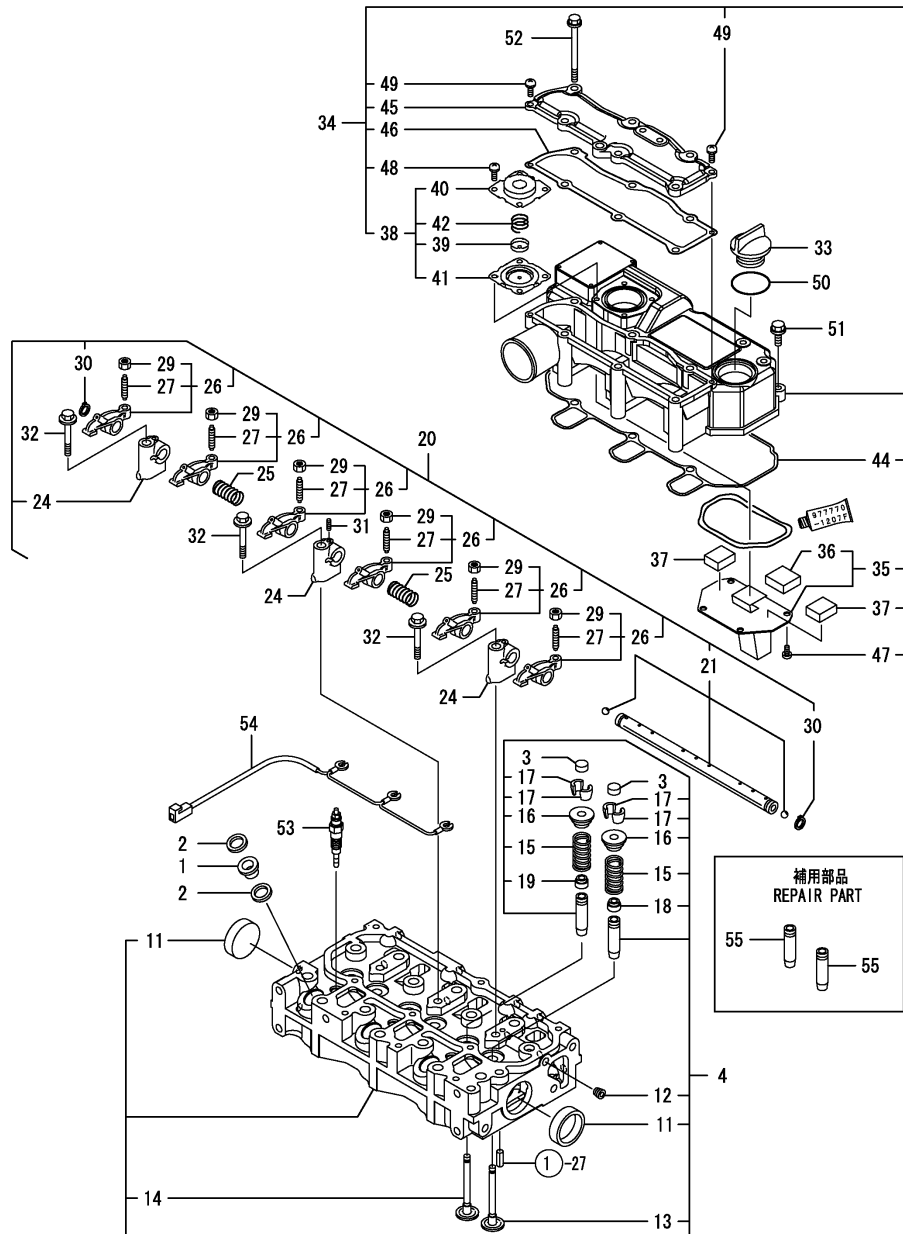
(B)=

(C)=

(D)=

(E)=

(F)=



REF.	LEV.	PARTS NO.	DESCRIPTION	Q'TY						I	R
				(A)	(B)	(C)	(D)	(E)	(F)		
1	1	129901-11450	PROTECTOR, NOZZLE	3							
2	1	119600-11460	GASKET, NOZZLE	6							
3	1	105010-11490	CAP, VALVE	6							
4	1	119517-11740	HEAD ASSY, CYLINDER	1							
11	2	119285-11990	PLUG 35	2							
12	2	23876-005000	PLUG, PT1/16	1							
13	2	119515-11101	VALVE, INTAKE	3							
14	2	119515-11110	VALVE, EXHAUST	3							
15	2	119717-11131	SPRING, VALVE	6							
16	2	129508-11180	RETAINER, SPRING	6							
17	2	119717-11190	COTTER	12							
18	2	119717-11340	SEAL, VALVE STEM	3							
19	2	119717-11350	SEAL, VALVE STEM	3							
20	1	119515-11200	SUPPORT ASSY, ARM	1							
21	2	119515-11240	SHAFT ASSY, ROCKER	1							
24	2	119717-11260	SUPPORT, ROCKER ARM	3							
25	2	119515-11280	SPRING, SHAFT	2							
26	2	119717-11650	ARM ASSY, ROCKER	6							
27	3	129150-11230	SCREW, VALVE ADJUST	6							
29	3	129150-11750	NUT, M8	6							
30	2	22242-000120	CIRCLIP 12	2							
31	2	26979-050162	SCREW M 5X16	1							
32	1	26106-080402	BOLT M 8X 40 PLATED	3							
33	1	124160-01751	COVER, FILLER	1							
34	1	119515-11380	BONNET ASSY, HEAD	1							
35	2	119717-03031	PLATE, BAFFLE	1							
36	3	119717-03070	BAFFLE, BREATHER	1							
37	2	119717-03070	BAFFLE, BREATHER	2							
38	2	119802-03100	DIAPHRAGM ASSY	1							
39	3	119802-03110	PLATE, CENTER	1							
40	3	119802-03121	COVER, DIAPHRAGM	1							
41	3	119802-03131	DIAPHRAGM	1							
42	3	119802-03141	SPRING, DIAPHRAGM	1							
44	2	119515-11310	GASKET, BONNET	1							
45	2	119515-11320	COVER, BONNET	1							
46	2	119515-11330	GASKET, BONNET COVER	1							
47	2	22857-500100	SCREW, M5X10	4							
48	2	22857-500100	SCREW, M5X10	4							
49	2	22857-500160	SCREW 5X16	2							
50	1	24311-000320	O-RING 1A P-32.0	1							
51	1	26106-060202	BOLT M 6X 20 PLATED	3							
52	1	26106-060752	BOLT M 6X 75 PLATED	6							
53	1	119125-77800	PLUG, GLOW	3							
54	1	119125-77820	CONNECTOR, GLOW PLUG	1							
55	1	119515-11800	GUIDE, VALVE	6							1

Remarks  
(1)REPAIR PART.



Fig.5. EXHAUST MANIFOLD

(A)=3TNM72-HGE  
(B)=  
(C)=

(D)=  
(E)=  
(F)=

REF.	LEV.	PARTS NO.	DESCRIPTION	Q'TY						I	R
				(A)	(B)	(C)	(D)	(E)	(F)		
1	1	119717-13109	MANIFOLD, EXHAUST	1							
2	1	119717-13110	GASKET, MANIFOLD	1							
3	1	119717-13600	STUD, M8X50	2							
4	1	119802-13620	BOLT, M8X50	4							
5	1	119131-18320	STUD, M8X22	4							
6	1	26306-080002	NUT, M8	2							
7	1	119515-13200	GASKET, SILENCER	1							

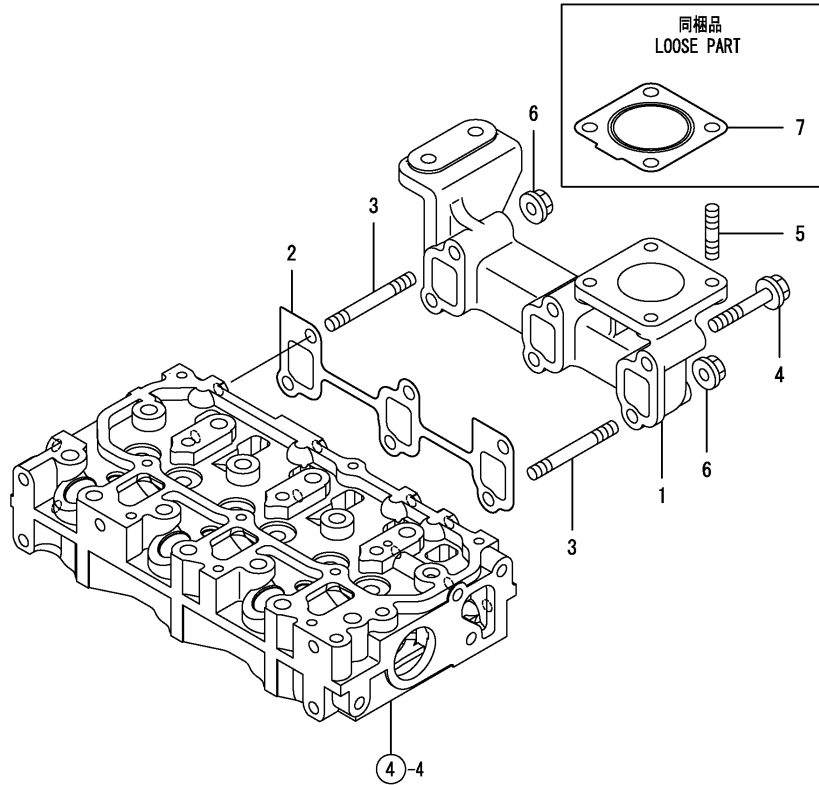


Fig.6. CAMSHAFT & DRIVING GEAR

(A)=3TNM72-HGE

(B)=

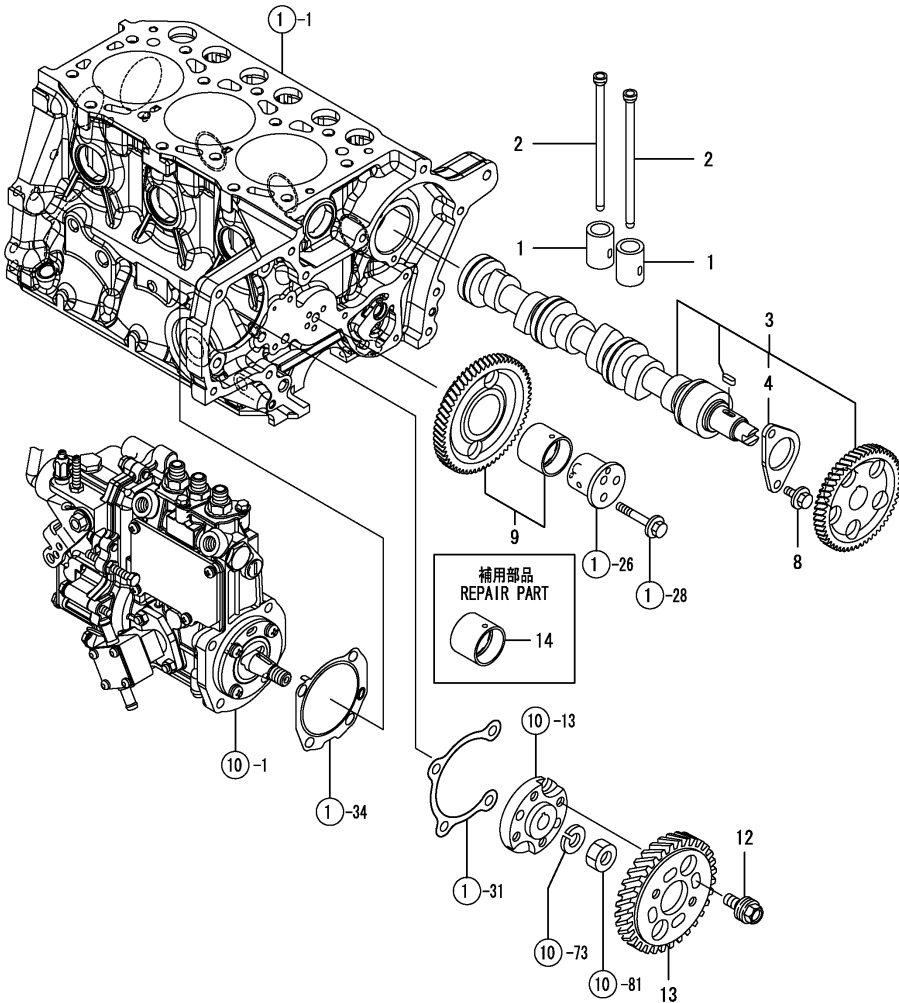
(C)=

(D)=

(E)=

(F)=

REF.	LEV.	PARTS NO.	DESCRIPTION	QTY						I	R
				(A)	(B)	(C)	(D)	(E)	(F)		
1	1	119620-14200	TAPPET	6							
2	1	119515-14400	ROD, PUSH	6							
3	1	119025-14580	CAMSHAFT ASSY	1							
4	2	119620-02450	BEARING, THRUST	1							
8	1	26106-060122	BOLT M 6X 12 PLATED	2							
9	1	119025-25100	GEAR, IDLE CMP	1							
12	1	129150-25301	BOLT, PUMP	4							
13	1	119125-25930	GEAR,FUEL PUMP	1							
14	1	119125-25910	BUSH,IDLE GEAR	1							1



Remarks  
(1)REPAIR PART.

Fig.7. CRANKSHAFT & PISTON

(A)=3TNM72-HGE

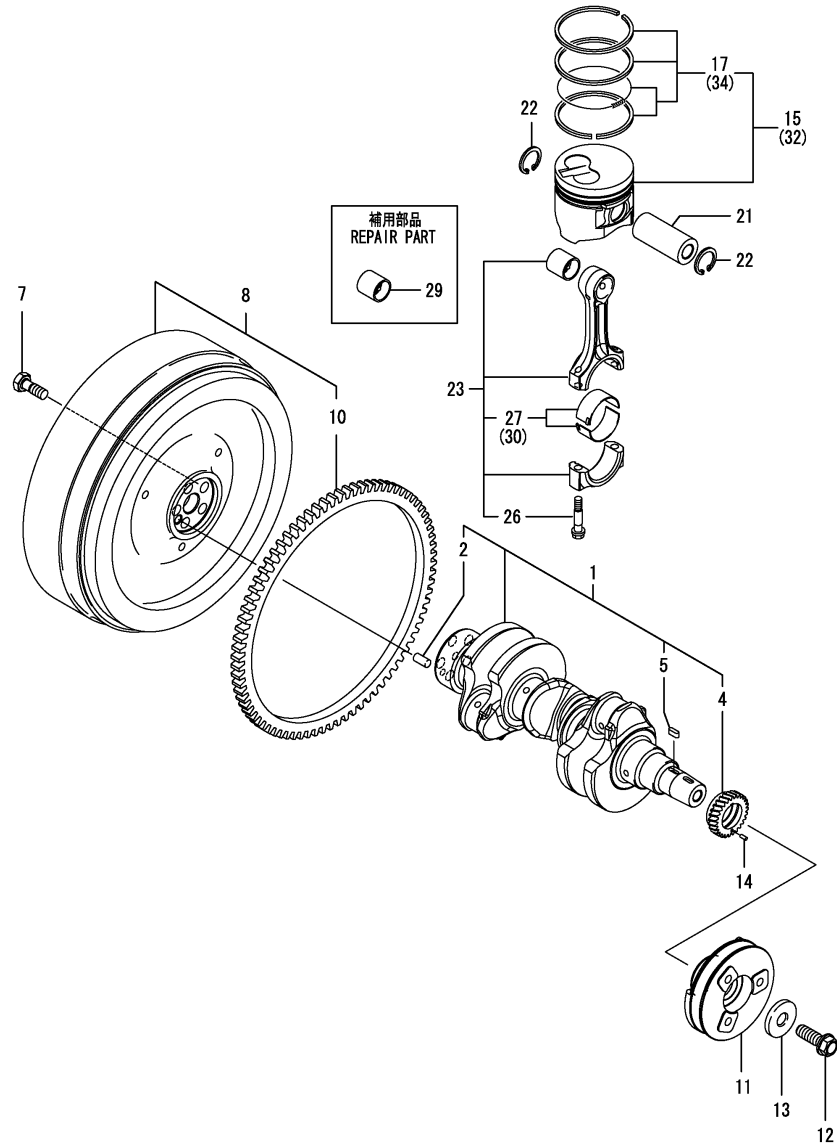
(B)=

(C)=

(D)=

(E)=

(F)=



REF.	LEV.	PARTS NO.	DESCRIPTION	QTY						I	R
				(A)	(B)	(C)	(D)	(E)	(F)		
1	1	119025-21700	CRANKSHAFT ASSY	1							
2	2	129100-01580	PARALLEL PIN, M8X16	1							
4	2	119125-21200	GEAR, CRANKSHAFT	1							
5	2	22512-040120	KEY, 4X12	1							
7	1	121111-21501	BOLT, FLYWHEEL	5							
8	1	119128-21591	FLYWHEEL ASSY	1							
10	2	119865-21600	GEAR, RING	1							
11	1	119125-21650	V-PULLEY, CRANKSHAFT	1							
12	1	119621-21681	BOLT M12X1.25,FLANGE	1							
13	1	119620-21941	WASHER	1							
14	1	22351-030010	SPRING PIN 3X10	1							
15	1	119517-22090	PISTON ASSY	3							
17	2	119517-22500	RING SET, PISTON	3							
21	1	119515-22300	PIN, PISTON	3							
22	1	22252-000220	CIRCLIP 22	6							
23	1	119515-23000	ROD ASSY, CONNECTING	3							
26	2	119717-23200	BOLT, CONNECTING ROD	6							
27	2	119515-23601	METAL ASSY,CRANK PIN	3							
29	1	119717-23910	METAL, PISTON PIN	3							1
30	1	119515-23611	METAL, CRANK PIN .25	3							2
32	1	119025-22900	PISTON ASSY	3							3
34	2	119609-22950	RING SET O.S=0.25	3							3

Remarks

- (1)REPAIR PART.
- (2)UNDER-SIZED(U.S=0.25)PART.
- (3)OVER-SIZED(O.S=0.25)PART.

Fig.8. LUB.OIL SYSTEM

(A)=3TNM72-HGE

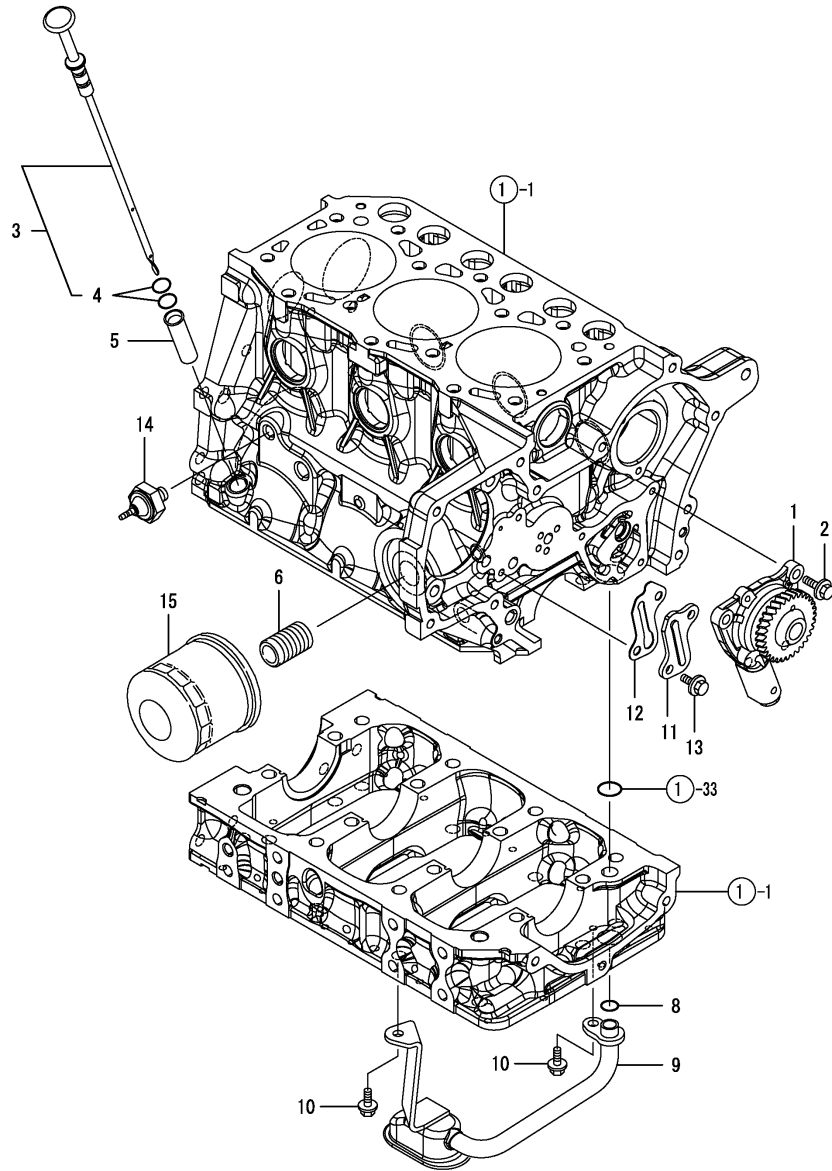
(B)=

(C)=

(D)=

(E)=

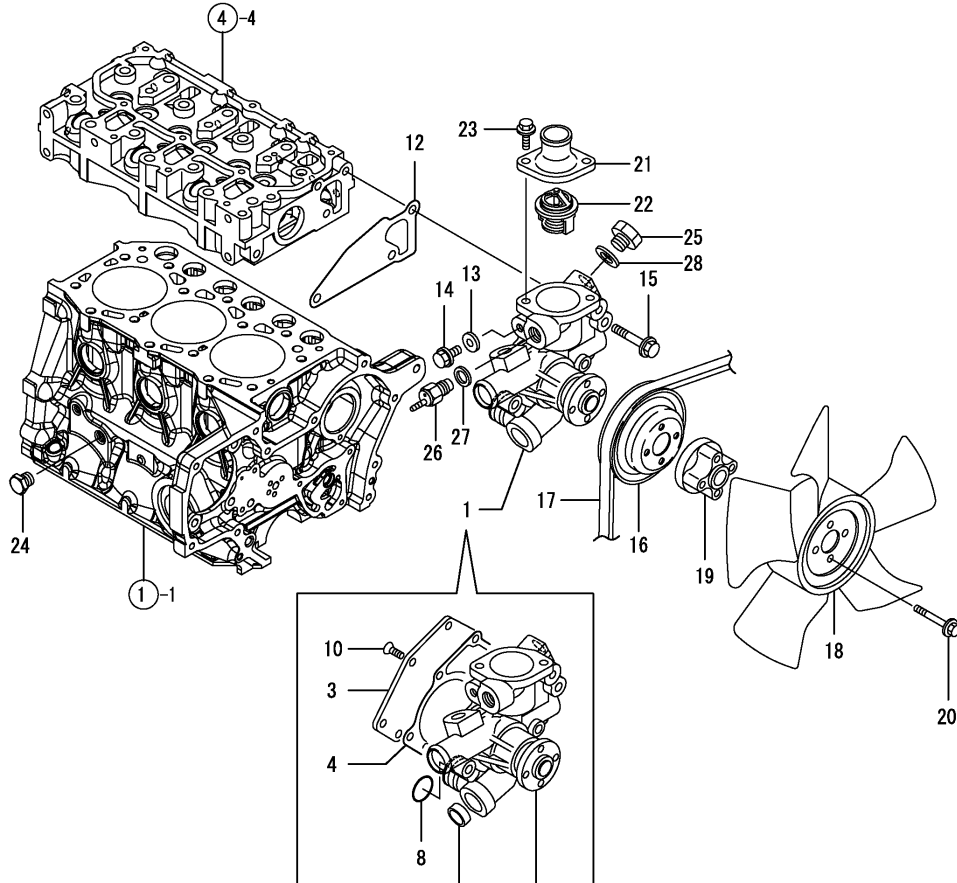
(F)=



REF.	LEV.	PARTS NO.	DESCRIPTION	QTY						I	R
				(A)	(B)	(C)	(D)	(E)	(F)		
1	1	119125-32000	PUMP ASSY, LUB.OIL	1							
2	1	26106-060142	BOLT M 6X 14 PLATED	3							
3	1	119025-34810	DIPSTICK, LUB.OIL	1							
4	2	119125-34900	O-RING,SERVICE	2							
5	1	119125-34810	GUIDE, DIPSTICK	1							
6	1	129100-35140	STUD	1							
8	1	119209-35030	O-RING	1							
9	1	119028-35080	PIPE ASSY, LUB.OIL	1							
10	1	26106-060102	BOLT 6X 10 PLATED	2							
11	1	119125-39200	COVER(LO	1							
12	1	119125-39220	PK(LO-T	1							
13	1	26106-060102	BOLT 6X 10 PLATED	2							
14	1	114250-39450	SWITCH, OIL PRESSURE	1							
15	1	119305-35151	FILTER ASSY, LUB.OIL	1							1

Remarks  
(1)REPAIR PART.

Fig.9. COOLING WATER SYSTEM



0CW10-G54800 9. COOLING WATER SYSTEM

(A)=3TNM72-HGE

(B)=

(C)=

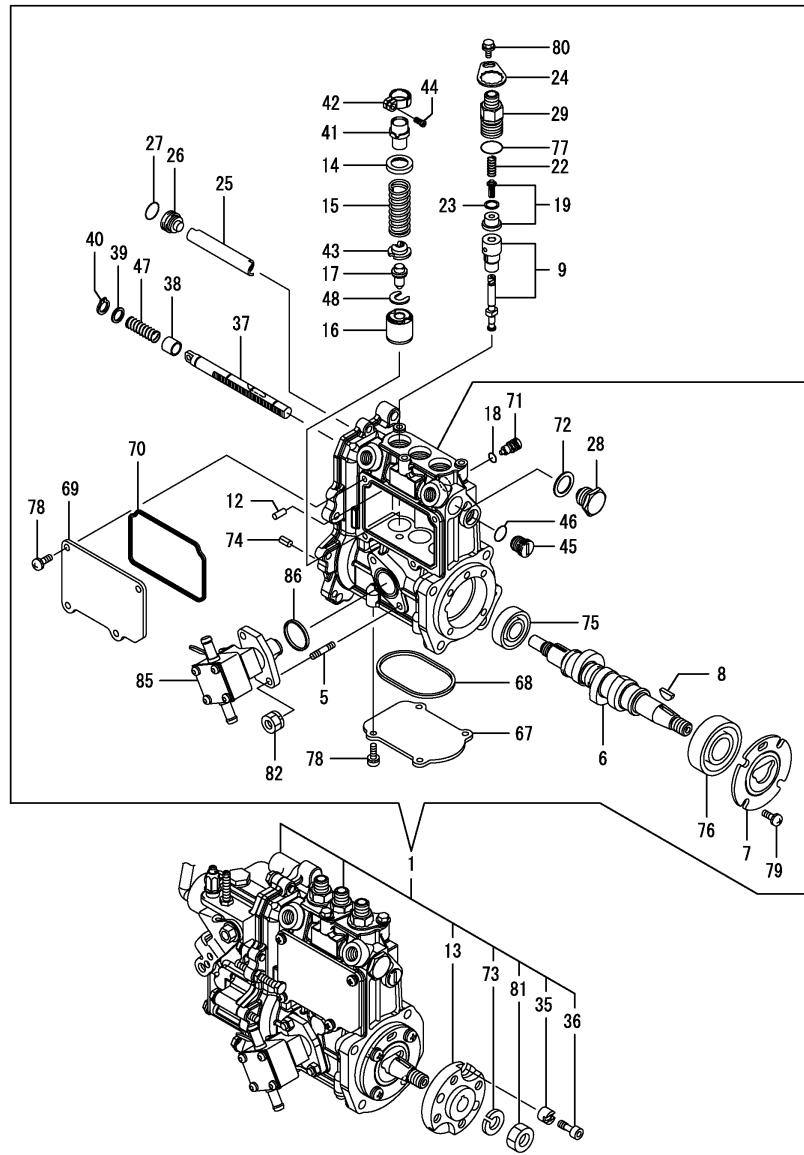
(D)=

(E)=

(F)=

REF.	LEV.	PARTS NO.	DESCRIPTION	QTY						I	R
				(A)	(B)	(C)	(D)	(E)	(F)		
1	1	119025-42000	PUMP ASSY, WATER	1							
3	2	119025-42020	COVER, WATER PUMP	1							
4	2	119025-42030	PK(WATER PUMP)	1							
8	2	119685-42281	O-RING	1							
10	2	26577-060122	SCREW, M6X12	5							
12	1	119515-42020	GASKET, WATER PUMP	1							
13	1	23414-080000	GASKET 8, ROUND	1							
14	1	26106-080122	BOLT M 8X 12 PLATED	1							
15	1	26106-080452	BOLT M 8X 45 PLATED	3							
16	1	119740-42350	V-PULLEY, WATER PUMP	1							
17	1	25132-003450	V BELT, A 34.5	1							
18	1	119265-44740	FAN, COOLING	1							
19	1	129457-44760	SPACER, FAN	1							
20	1	26106-060452	BOLT M 6X 45 PLATED	4							
21	1	129350-49530	COVER, THERMOSTAT	1							
22	1	119717-49800	THERMOSTAT	1							
23	1	26106-080202	BOLT M 8X 20 PLATED	2							
24	1	171056-49120	PLUG, DRAIN	1							
25	1	121450-42450	PLUG M16	1							
26	1	121250-44901	SWITCH, THERMO.	1							
27	1	124465-44950	GASKET, 16	1							
28	1	124465-44950	GASKET, 16	1							

Fig.10. FUEL INJECTION PUMP



Remarks

(1)GOVERNOR(FIG.11)IS INCORPORATED IN THIS FUEL INJECTION PUMP (REF.1).

(A)=3TNM72-HGE

(B)=

(C)=

(D)=

(E)=

(F)=

REF.	LEV.	PARTS NO.	DESCRIPTION	QTY						I	R
				(A)	(B)	(C)	(D)	(E)	(F)		
1	1	719028-51310	INJECTION PUMP ASSY	1							1
5	2	129155-51020	STUD, FEED PUMP	2							
6	2	119125-51030	CAMSHAFT	1							
7	2	119125-51060	RETAINER	1							
8	2	122710-51090	KEY, WOODRUFF	1							
9	2	119125-51100	PLUNGER ASSY	3							
12	2	129155-51140	PIN, BARREL LOCKING	3							
13	2	119717-51150	FLANGE	1							
14	2	158600-51170	RETAINER, SPRING	3							
15	2	119717-51190	SPRING, PLUNGER	3							
16	2	119125-51241	FO TAPPET	3							
17	2	119125-51250	FO TAPPET GUIDE	3							
18	2	129155-51280	O-RING, S6	1							
19	2	119125-51300	VALVE ASSY, DELIVERY	3							
22	2	128990-51330	SPRING, DELIVERY	3							
23	2	124550-51350	GASKET, DELIVERY	3							
24	2	118400-51370	LOCKING	3							
25	2	129155-51400	DEFLECTOR	1							
26	2	158600-51410	PLUG, DEFLECTOR	1							
27	2	119717-51420	O-RING	1							
28	2	158600-51420	PLUG, DEFLECTOR	1							
29	2	158600-51442	VALVE ASSY, DELIVERY	3							
35	2	119125-51480	COLLAR, FIC FIX	1							
36	2	119125-51490	BOLT, FIXATION	1							
37	2	119717-51500	RACK, CONTROL	1							
38	2	129155-51521	BUSH, RACK	1							
39	2	129155-51530	SPACER, SPRING	1							
40	2	129155-51540	CIRCLIP	1							
41	2	129155-51550	PINION, CONTROL B	3							
42	2	129100-51560	PINION	3							
43	2	119717-51570	RETAINER, SPRING	3							
44	2	129100-51570	SCREW, PINION	3							
45	2	158600-51570	PLUG	1							
46	2	129155-51580	O-RING	1							
47	2	129155-51591	SPRING, RACK	1							
48	2	129155-51600	SHIM SET, ADJUSTING	3							
67	2	119125-51700	COVER, PUMP BOTTOM	1							
68	2	119717-51711	GASKET, LOWER COVER	1							
69	2	119717-51750	COVER, BODY SIDE	1							
70	2	119717-51761	GASKET, SIDE COVER	1							
71	2	158600-51790	STOOPER, RACK	1							
72	2	22190-160002	WASHER, 16	1							
73	2	22217-120000	SPRING WASHER 12	1							
74	2	22351-050010	SPRING PIN 5X10	2							
75	2	24101-060034	BALL BEARING	1							
76	2	24101-063034	BALL BEARING	1							
77	2	24316-000150	O-RING 4D P15	3							
78	2	26022-050122	SCREW M 5X 12	8							
79	2	26022-060162	SCREW M 6X 16	4							
80	2	26106-050102	BOLT M 5X 10 PLATED	3							
81	2	26716-120002	NUT 12	1							

N:Old  $\frac{Yes}{No}$  New, Q:Old  $\frac{No}{Yes}$  New, R:Old  $\frac{Yes}{Yes}$  New, S:Old  $\frac{No}{No}$  New, W:Add, Z:Discontinued, F:Interchangeable by set, K:Q'ty Change

++ CONTINUE ++

(C)Copy Rights YANMAR CO.,LTD.

Fig.10. FUEL INJECTION PUMP

(A)=3TNM72-HGE

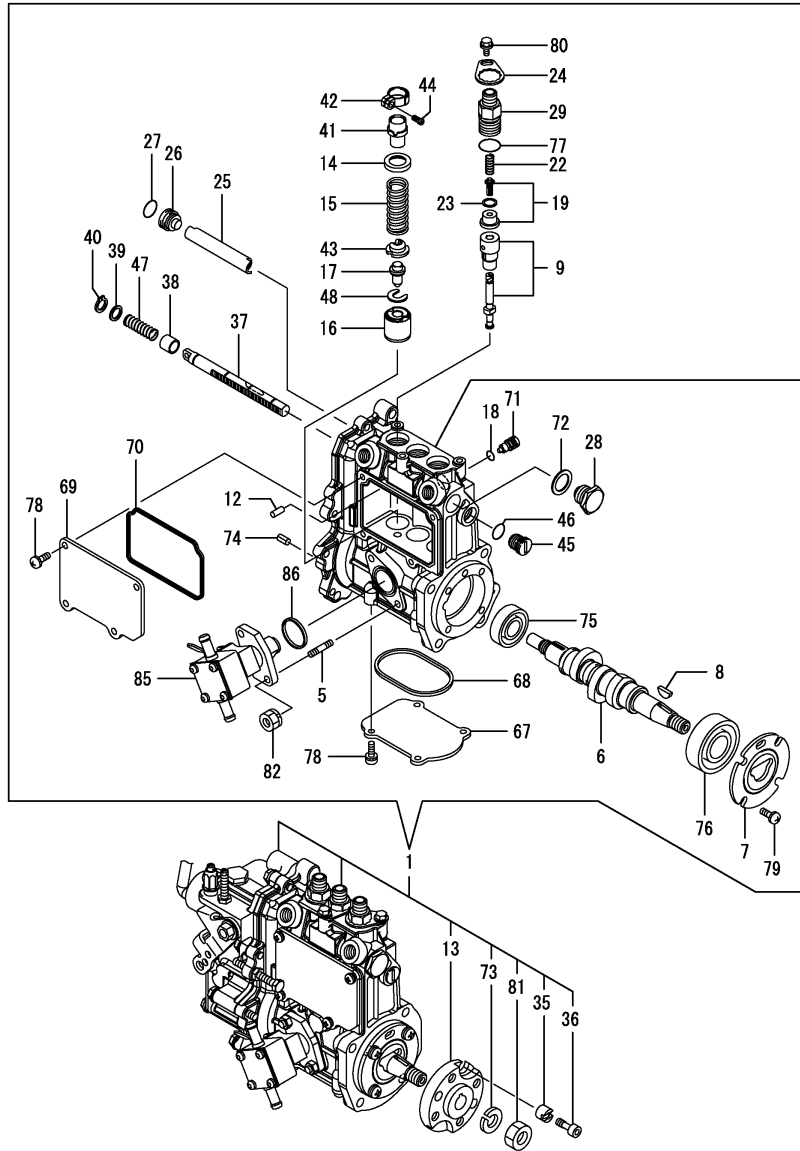
(B)=

(C)=

(D)=

(E)=

(F)=



REF.	LEV.	PARTS NO.	DESCRIPTION	QTY						I	R
				(A)	(B)	(C)	(D)	(E)	(F)		
82	2	119717-51860	NUT,M6	2							
85	2	119125-52000	PUMP ASSY, FUEL FEED	1							
86	2	129155-52051	GASKET	1							

Remarks

(1)GOVERNOR(FIG.11)IS INCORPORATED IN THIS FUEL INJECTION PUMP (REF.1).

Fig.11. GOVERNOR

(A)=3TNM72-HGE

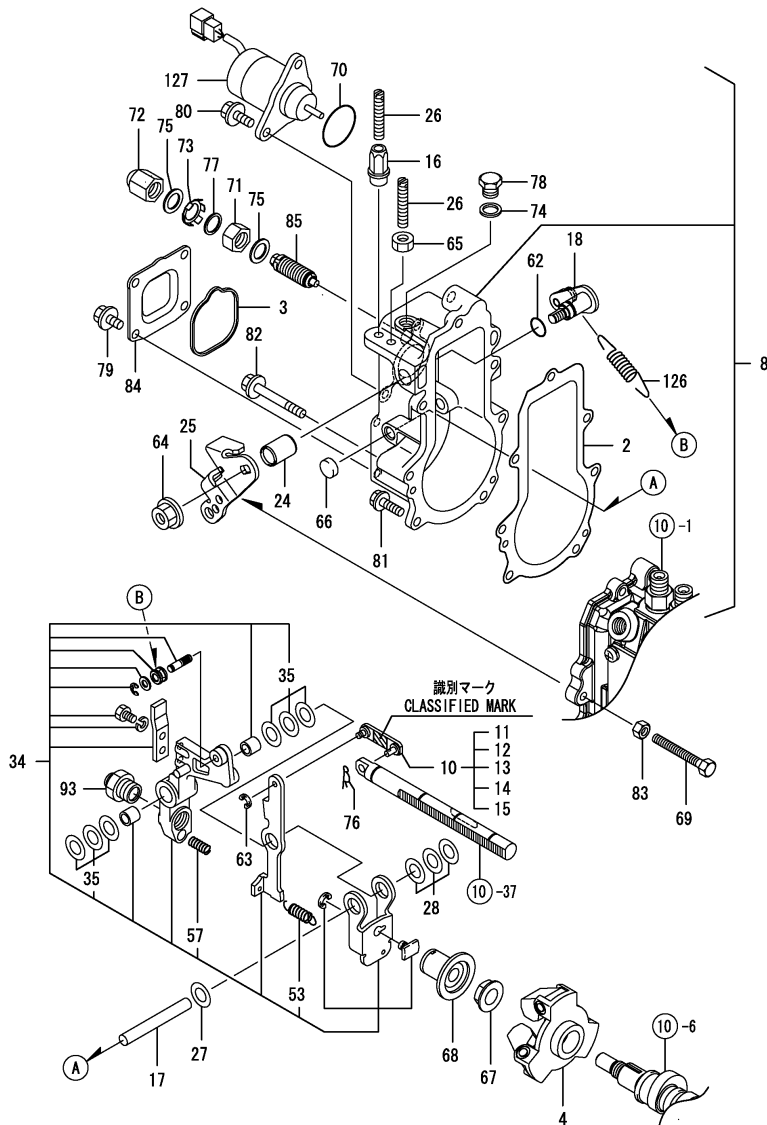
(B)=

(C)=

(D)=

(E)=

(F)=



REF.	LEV.	PARTS NO.	DESCRIPTION	Q'TY						I	R
				(A)	(B)	(C)	(D)	(E)	(F)		
2	2	119717-61050	GASKET, CASE	1							
3	2	119717-61070	GASKET, COVER	1							
4	2	119125-61201	WEIGHT ASSY	1							
8	2	119128-61200	CASE ASSY, GOVERNOR	1							
10	3	119125-61110	LINK CMP	1							
11	4	119125-61120	LINK,CLASIFIEDMARK93	1							1
12	4	119125-61130	LINK,CLASIFIEDMARK98	1							1
13	4	119125-61140	LINK,CLASIFIEDMARK88	1							1
14	4	119125-61150	LINK,CLASIFIEDMARK00	1							1
15	4	119125-61160	LINK,CLASIFIEDMARK03	1							1
16	3	129209-61370	NUT M6	1							
17	3	119125-61390	SHAFT, LEVER	1							
18	3	119125-61401	SHAFT ASSY, CONTROL	1							
24	3	119125-61430	BUSH	1							
25	3	119546-61440	LEVER, CONTROL	1							
26	3	129155-61450	BOLT, LIMITER	2							
27	3	129156-61460	SHIM, T=0.6	1							
28	3	129155-61480	SPACER ASSY	1							
34	3	119025-61501	LEVER ASSY, GOVERNOR	1							
35	4	174307-51700	SHIM SET, ADJUSTING	2							
53	4	129486-61540	SPRING, SET	1							
57	4	129100-61650	SPRING, FUEL CONTROL	1							
62	3	129155-61830	O-RING, S10	1							
63	3	22272-000030	CIRCLIP E- 3	1							
64	3	26366-080002	NUT M 8	1							
65	3	26756-060002	LOCK NUT 6	1							
66	3	27260-120000	PLUG 12,BORE	1							
67	2	129008-61301	NUT, GOVERNOR WEIGHT	1							
68	2	129155-61341	SLEEVE(L=25.5	1							
69	2	129155-61460	BOLT, IDLE	1							
70	2	158552-61900	O-RING	1							
71	2	129209-61920	NUT	1							
72	2	129209-61930	CAP NUT	1							
73	2	129209-61970	PLATE	1							
74	2	22190-100002	WASHER, 10	1							
75	2	22190-120002	SEAL WASHER 12	2							
76	2	22372-040000	SNAP PIN 4	1							
77	2	23414-120016	GASKET 12	1							
78	2	23887-100002	PLUG 10	1							
79	2	26106-060102	BOLT 6X 10 PLATED	4							
80	2	26106-060142	BOLT M 6X 14 PLATED	2							
81	2	26106-060202	BOLT M 6X 20 PLATED	4							
82	2	26106-060452	BOLT M 6X 45 PLATED	3							
83	2	26756-060002	LOCK NUT 6	1							
84	2	119717-61060	COVER, GOVERNOR CASE	1							
85	2	119125-61450	LIMITER ASSY, FUEL	1							
93	2	119761-61560	ANGLEICH ASSY	1							
126	2	129500-61720	SPRING, GOVERNOR	1							
127	2	119653-77950	SOLENOID, STOP	1							

Remarks  
 \*THIS FIGURE(GOVERNOR)IS INCORPORATED IN THE FUEL INJECTION PUMP (FIG.10).  
 (1)SELECTIVE PARTS;CERTAIN THE CLASSIFICATION MARK,THEN PLACE YOUR ORDER (REF.TO ILLUSTRATION).



Fig.12. FUEL INJECTION VALVE

(A)=3TNM72-HGE

(B)=

(C)=

(D)=

(E)=

(F)=

REF.	LEV.	PARTS NO.	DESCRIPTION	QTY						I	R
				(A)	(B)	(C)	(D)	(E)	(F)		
1	1	719125-53100	INJECTOR, FUEL	3							
2	2	119125-53001	NOZZLE CMP	3							
5	2	119125-53080	NUT, NOZZLE	3							
6	2	119125-53100	HOLDER ASSY, NOZZLE	3							
9	2	119125-53120	SPRING, NOZZLE	3							
10	2	119125-53130	SEAT, SPRING	3							
11	2	119125-53140	SPACER, VALVE STOP	3							
12	2	114250-53400	SHIM SET	3							
24	1	129150-59120	RETAINER, PIPE	1							
27	2	129150-59131	BOLT M4X14,HEX.SCKT.	2							
29	1	119025-59810	PIPE, FUEL INJECTION	1							
30	1	119025-59820	PIPE, FUEL INJECTION	1							
31	1	119025-59830	PIPE, FUEL INJECTION	1							
32	1	129210-59140	PIPE ASSY, FUEL OIL	1							
33	2	124766-59050	CLAMP 12	2							
34	2	105230-59510	PIPE, FUEL	1							
35	1	119515-59540	PIPE ASSY, RETURN	1							
36	1	119125-59560	BOLT,PIPE JOINT	1							
37	1	129901-59560	GASKET, RETURN	3							
38	1	119125-59570	PIPE, FUEL RETURN	1							
39	2	124066-59100	CLIP, HOSE	2							
40	2	119000-59550	PIPE, FUEL RETURN	1							
41	1	119840-59570	JOINT	1							
42	1	119620-59700	NUT, NOZZLE RETURN	3							
43	1	22190-120002	SEAL WASHER 12	2							

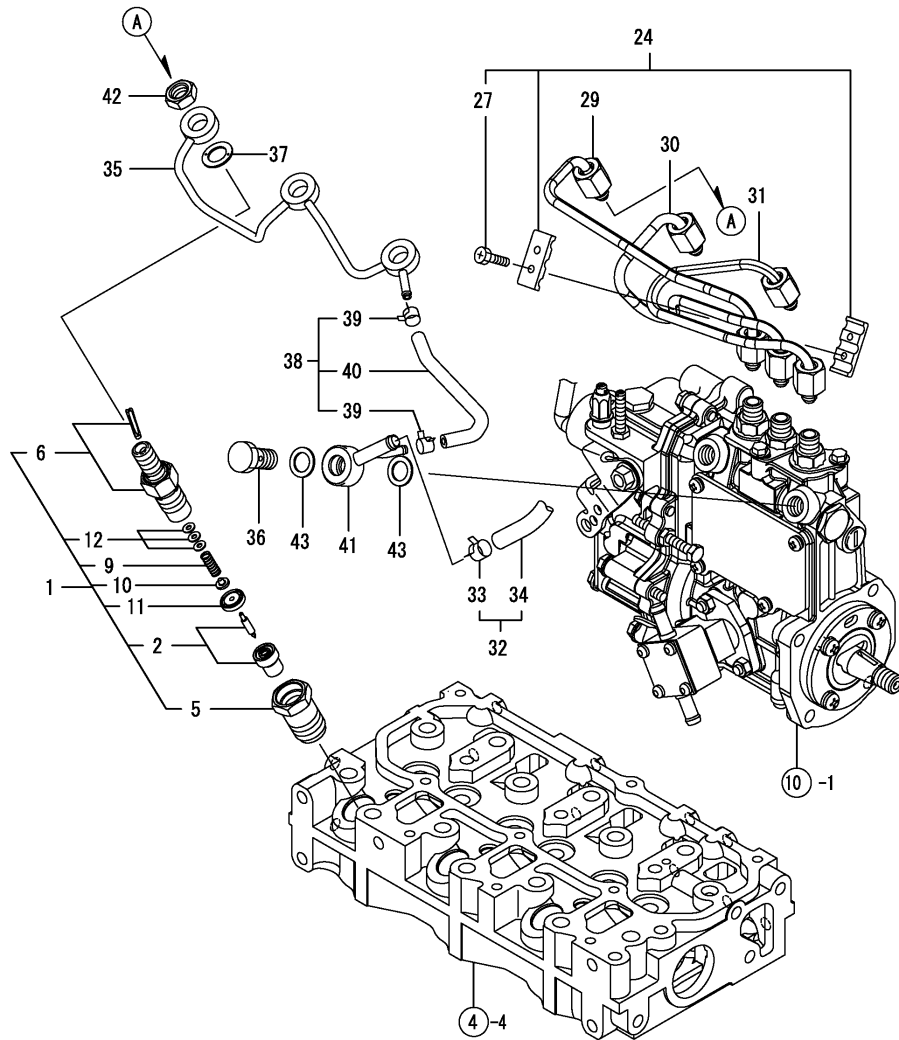
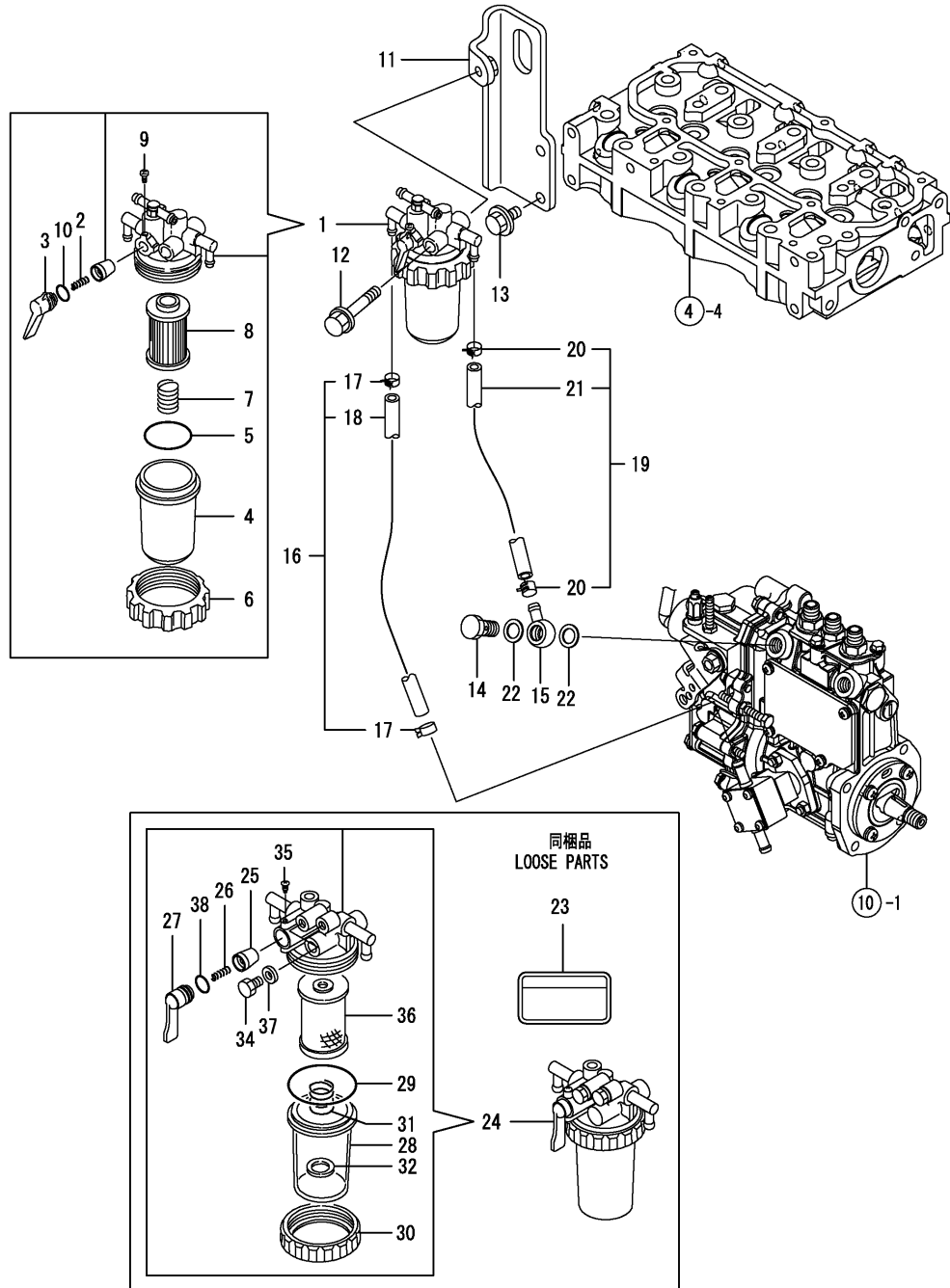


Fig.13. FUEL LINE



(A)=3TNM72-HGE

(B)=

(C)=

(D)=

(E)=

(F)=

REF.	LEV.	PARTS NO.	DESCRIPTION	QTY						I	R
				(A)	(B)	(C)	(D)	(E)	(F)		
1	1	119833-55620	STRAINER ASSY, FUEL	1							
2	2	104200-55330	SPRING	1							
3	2	119810-55340	LEVER	1							
4	2	121254-55510	CUP, STRAINER	1							
5	2	102103-55520	O-RING	1							
6	2	110250-55610	RING, RETAINING	1							
7	2	121250-55620	SPRING, ELEMENT	1							
8	2	119810-55650	ELEMENT, STRAINER	1							
9	2	104200-55750	SCREW, M4	1							
10	2	24311-240100	O-RING 1A P-10A	1							
11	1	119028-55650	BRACKET, FILTER	1							
12	1	26014-080702	BOLT W/WASHER M8X 70	1							
13	1	26106-080162	BOLT M 8X 16 PLATED	2							
14	1	103854-39140	BOLT, PIPE JOINT	1							
15	1	101304-59020	JOINT, PIPE 12	1							
16	1	129210-59140	PIPE ASSY, FUEL OIL	1							
17	2	124766-59050	CLAMP 12	2							
18	2	105230-59510	PIPE, FUEL	1							
19	1	129210-59230	PIPE ASSY, FUEL OIL	1							
20	2	124766-59050	CLAMP 12	2							
21	2	129555-59511	PIPE, FUEL OIL	1							
22	1	22190-120002	SEAL WASHER 12	2							
23	1	114110-07760	LABEL, FUEL OIL	1							
24	1	129335-55700	SEPARATOR ASSY, WATER	1							
25	2	104200-55321	VALVE, TAPER	1							
26	2	104200-55330	SPRING	1							
27	2	104200-55341	HANDLE, COCK	1							
28	2	124064-55510	COVER, STRAINER	1							
29	2	102103-55520	O-RING	1							
30	2	110250-55610	RING, RETAINING	1							
31	2	121257-55720	SPRING, SCREEN	1							
32	2	121257-55731	FLOAT	1							
34	2	101720-55750	PLUG 6	2							
35	2	104200-55750	SCREW, M4	1							
36	2	171081-55910	SCREEN	1							
37	2	23418-060000	GASKET 6, NYLON	2							
38	2	24311-240100	O-RING 1A P-10A	1							

Fig.14. STARTING MOTOR

(A)=3TNM72-HGE

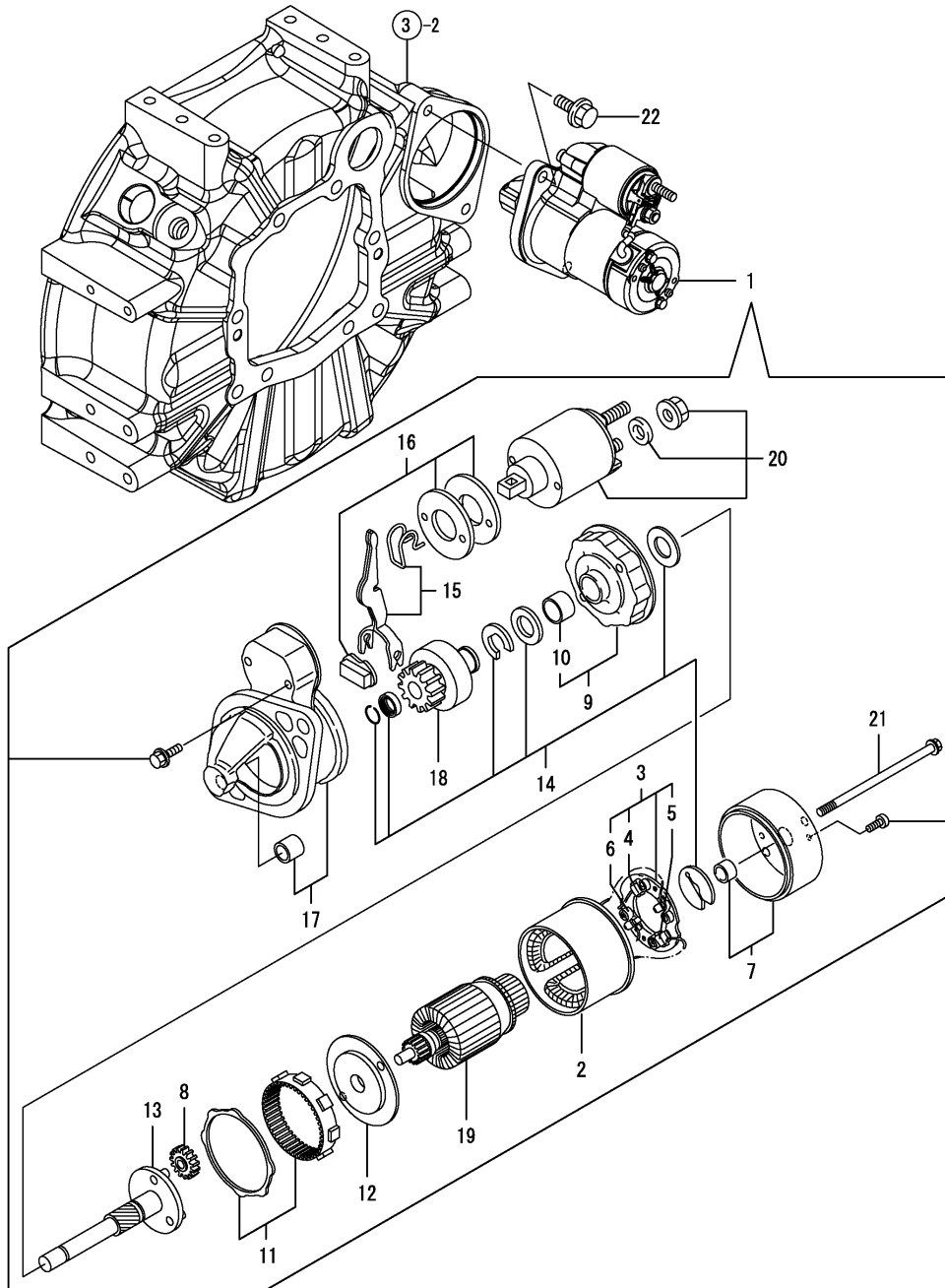
(B)=

(C)=

(D)=

(E)=

(F)=

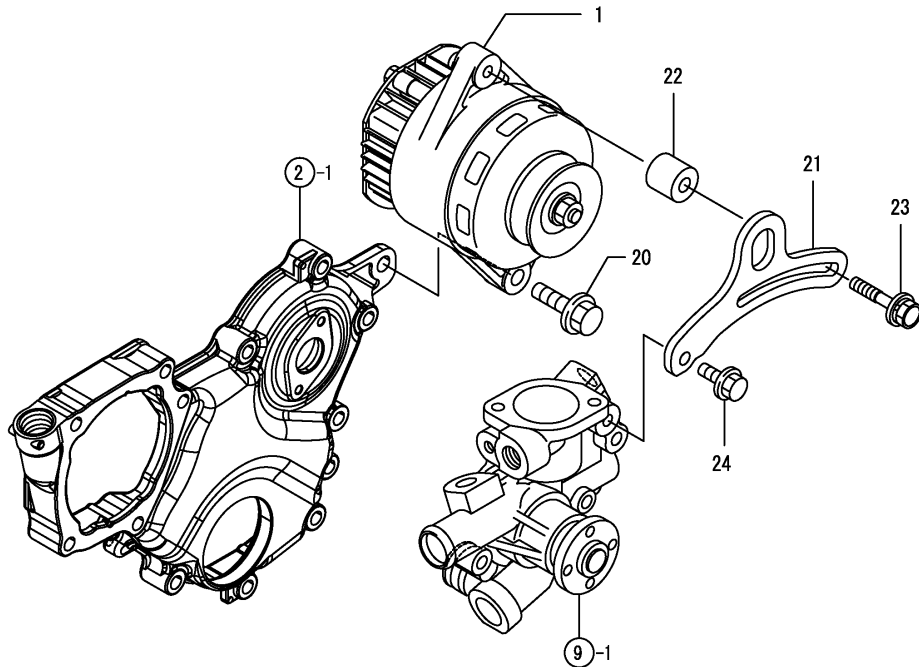
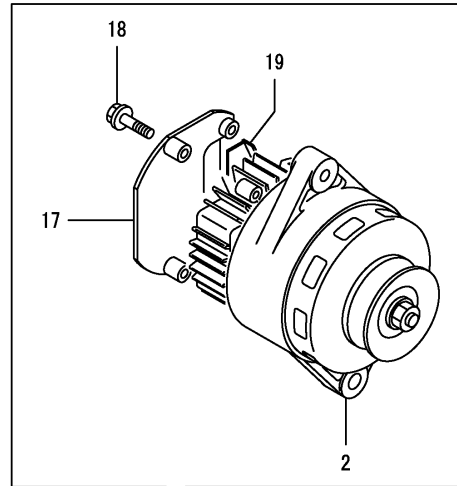
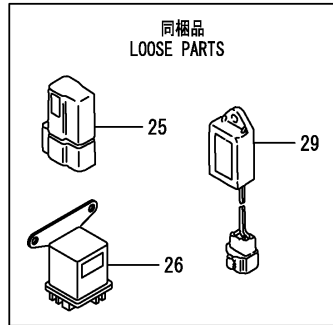


REF.	LEV.	PARTS NO.	DESCRIPTION	QTY						I	R
				(A)	(B)	(C)	(D)	(E)	(F)		
1	1	119125-77010	STARTER ASSY, 1.2KW	1							
2	2	129698-77110	COIL ASSY, FIELD	1							
3	2	129698-77120	HOLDER ASSY, BRUSH	1							
4	3	129698-77130	BRUSH (-)	2							
5	3	129698-77140	BRUSH(+) SET	1							
6	3	129698-77150	SPRING, BRUSH	4							
7	2	129698-77161	COVER ASSY, REAR	1							
8	2	119125-77170	GEAR	3							
9	2	129698-77180	BRACKET	1							
10	3	129698-77190	BRACKET	1							
11	2	119125-77200	INTERNAL GEAR	1							
12	2	119125-77210	BRACKET	1							
13	2	119125-77230	SHAFT(PINION)	1							
14	2	129698-77250	WASHER SET	1							
15	2	119125-77270	LEVER, SHIFT	1							
16	2	119125-77280	COVER ASSY, DUST	1							
17	2	119125-77520	HOUSING ASSY, GEARS	1							
18	2	119125-77660	PINION ASSY	1							
19	2	119125-77710	ARMATURE ASSY	1							
20	2	119125-77760	MAGNETIC SWITCH ASSY	1							
21	2	124195-77770	THROUGH BOLT	2							
22	1	26106-100252	BOLT M10X 25 PLATED	2							

Fig.15. GENERATOR

(A)=3TNM72-HGE  
(B)=  
(C)=

(D)=  
(E)=  
(F)=



REF.	LEV.	PARTS NO.	DESCRIPTION	QTY						I	R
				(A)	(B)	(C)	(D)	(E)	(F)		
1	1	119128-77200	GENERATOR ASSY	1							
2	2	119128-77220	GENERATOR ASSY	1							
17	2	119128-77370	COVER	1							
18	2	119128-77380	BOLT	4							
19	2	119128-77390	COVER	1							
20	1	26106-100402	BOLT M10X 40 PLATED	1							
21	1	119125-77320	ADJUSTER	1							
22	1	124732-77340	SPACER	1							
23	1	129972-77341	BOLT	1							
24	1	26106-080202	BOLT M 8X 20 PLATED	1							
25	1	119643-66900	DIODE	1							
26	1	119650-77910	RELAY ASSY	1							
29	1	129211-77920	TIMER	1							

Fig.16. GASKET SET

(A)=3TNM72-HGE

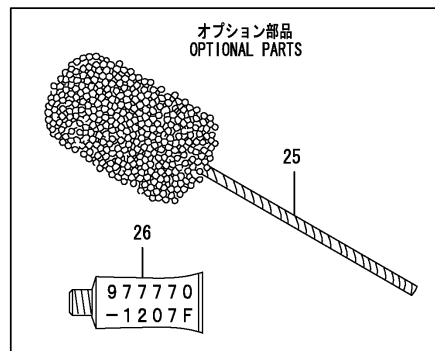
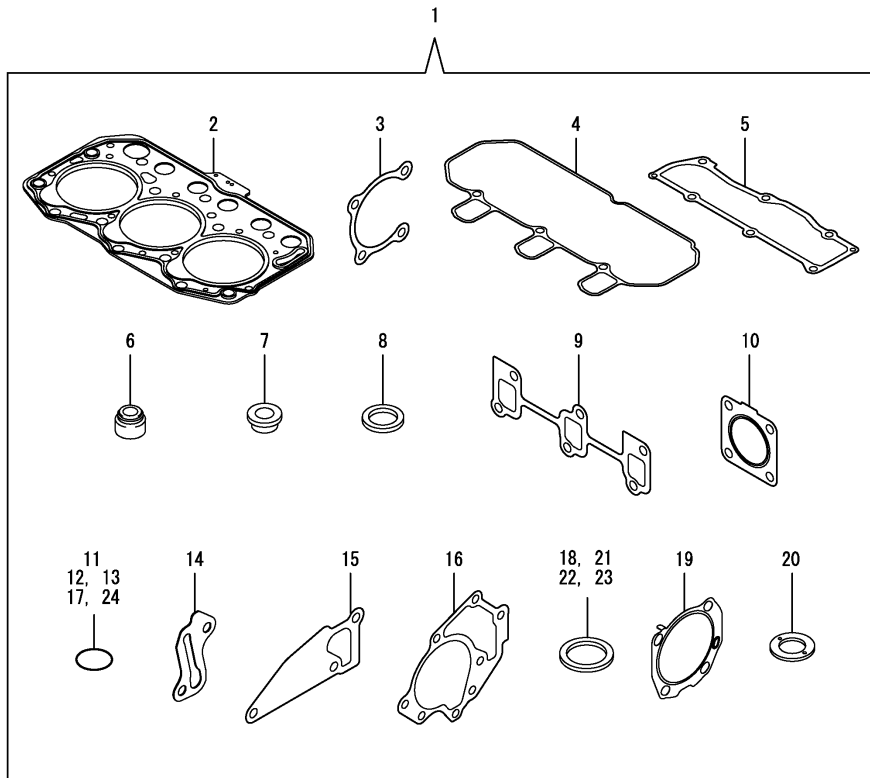
(B)=

(C)=

(D)=

(E)=

(F)=



REF.	LEV.	PARTS NO.	DESCRIPTION	QTY						I	R
				(A)	(B)	(C)	(D)	(E)	(F)		
1	1	119025-92600	GASKET KIT	1							1
2	2	119025-01331	GASKET, CYL.HEAD	1							
3	2	119125-01790	GASKET, FOP BOLT	1							
4	2	119515-11310	GASKET, BONNET	1							
5	2	119515-11330	GASKET, BONNET COVER	1							
6	2	119717-11340	SEAL, VALVE STEM	6							
7	2	129901-11450	PROTECTOR, NOZZLE	3							
8	2	119600-11460	GASKET, NOZZLE	6							
9	2	119717-13110	GASKET, MANIFOLD	1							
10	2	119515-13200	GASKET, SILENCER	1							
11	2	129900-32040	O-RING, P14	1							
12	2	119125-34900	O-RING, SERVICE	1							
13	2	119209-35030	O-RING	1							
14	2	119125-39220	PK(LO-T	1							
15	2	119515-42020	GASKET, WATER PUMP	1							
16	2	119025-42030	PK(WATER PUMP	1							
17	2	119209-42320	O-RING P21	1							
18	2	124465-44950	GASKET, 16	1							
19	2	119125-51800	GASKET, PUMP	1							
20	2	129901-59560	GASKET, RETURN	3							
21	2	22190-120002	SEAL WASHER 12	5							
22	2	22190-160002	WASHER, 16	1							
23	2	23414-080000	GASKET 8, ROUND	1							
24	2	24311-000180	O-RING 1A P-18.0	2							
25	1	129400-92410	FLEX HORN	1							1
26	1	977770-1207F	GASKET.LIQUID	1							1

Remarks  
(1)OPTIONAL PART.

Fig.17. SHORT BLOCK

(A)=3TNM72-HGE

(B)=

(C)=

(D)=

(E)=

(F)=

REF.	LEV.	PARTS NO.	DESCRIPTION	Q'TY						I	R
				(A)	(B)	(C)	(D)	(E)	(F)		
1	1	119027-01000	SHORT BLOCK ASSY	1							
2	2	119027-01560	BLOCK ASSY, CYLINDER	1							
3	2	119620-14200	TAPPET	6							
4	2	119025-14580	CAMSHAFT ASSY	1							
5	2	119025-21700	CRANKSHAFT ASSY	1							
6	2	119517-22090	PISTON ASSY	3							
7	2	119515-22300	PIN, PISTON	3							
8	2	119515-23000	ROD ASSY, CONNECTING	3							
9	2	119515-23601	METAL ASSY,CRANK PIN	1							
10	2	119025-25100	GEAR, IDLE CMP	1							
11	2	22252-000220	CIRCLIP 22	6							
12	2	26106-060122	BOLT M 6X 12 PLATED	2							

NOT ILLUSTRATED

Remarks  
\*NOT ILLUSTRATED.

## Part Number Index

All parts are stipulated in the order of part numbers.

(Depending on the area in which the part is used.)

This index will display the location of the part according to each part number.

## PARTS No. INDEX

PARTS No.	Fig.	Ref.No.
101304-59020	13	15
101720-55750	13	34
102103-55520	13	5
		29
103854-39140	13	14
104200-55321	13	25
104200-55330	13	2
		26
104200-55341	13	27
104200-55750	13	9
		35
105010-11490	4	3
105230-59510	12	34
	13	18
105425-01690	3	7
106760-01770	2	6
110250-55610	13	6
		30
114110-07760	13	23
114250-39450	8	14
114250-53400	12	12
118400-51370	10	24
119000-59550	12	40
119025-01331	1	30
	16	2
119025-01530	2	1
119025-01760	3	6
119025-14580	6	3
	17	4
119025-21700	7	1
	17	5
119025-22900	7	32
119025-25100	6	9
	17	10
119025-34810	8	3
119025-42000	9	1
119025-42020	9	3
119025-42030	9	4
	16	16
119025-59810	12	29
119025-59820	12	30
119025-59830	12	31
119025-61501	11	34
119025-92600	16	1
119027-01000	17	1
119027-01560	1	1
	17	2
119028-35080	8	9
119028-55650	13	11
119125-01750	2	2

PARTS No.	Fig.	Ref.No.
119125-01790	1	31
	16	3
119125-01800	1	35 -1
119125-01960	1	7
119125-01970	1	5
119125-02061	1	9
119125-02900	1	36
119125-02910	1	39
119125-02930	1	23
119125-02940	1	42
119125-21200	7	4
119125-21650	7	11
119125-25050	1	26
119125-25910	6	14
119125-25930	6	13
119125-32000	8	1
119125-34810	8	5
119125-34900	8	4
	16	12
119125-39200	8	11
119125-39220	8	12
	16	14
119125-51030	10	6
119125-51060	10	7
119125-51100	10	9
119125-51241	10	16
119125-51250	10	17
119125-51300	10	19
119125-51480	10	35
119125-51490	10	36
119125-51700	10	67
119125-51800	1	34
	16	19
119125-52000	10	85
119125-53001	12	2
119125-53080	12	5
119125-53100	12	6
119125-53120	12	9
119125-53130	12	10
119125-53140	12	11
119125-59560	12	36
119125-59570	12	38
119125-61110	11	10
119125-61120	11	11
119125-61130	11	12
119125-61140	11	13
119125-61150	11	14
119125-61160	11	15
119125-61201	11	4
119125-61390	11	17

PARTS No.	Fig.	Ref.No.
119125-61401	11	18
119125-61430	11	24
119125-61450	11	85
119125-77010	14	1
119125-77170	14	8
119125-77200	14	11
119125-77210	14	12
119125-77230	14	13
119125-77270	14	15
119125-77280	14	16
119125-77320	15	21
119125-77520	14	17
119125-77660	14	18
119125-77710	14	19
119125-77760	14	20
119125-77800	4	53
119125-77820	4	54
119128-01600	3	2
119128-21591	7	8
119128-61200	11	8
119128-77200	15	1
119128-77220	15	2
119128-77370	15	17
119128-77380	15	18
119128-77390	15	19
119131-18320	5	5
119209-35030	8	8
	16	13
119209-42320	16	17
119265-44740	9	18
119285-11990	4	11
119305-35151	8	15
119515-01200	1	29
119515-11101	4	13
119515-11110	4	14
119515-11200	4	20
119515-11240	4	21
119515-11280	4	25
119515-11310	4	44
	16	4
119515-11320	4	45
119515-11330	4	46
	16	5
119515-11380	4	34
119515-11800	4	55
119515-13200	5	7
	16	10
119515-14400	6	2
119515-22300	7	21
	17	7

PARTS No.	Fig.	Ref.No.
119515-23000	7	23
	17	8
119515-23601	7	27
	17	9
119515-23611	7	30
119515-42020	9	12
	16	15
119515-59540	12	35
119517-11740	4	4
119517-22090	7	15
	17	6
119517-22500	7	17
119546-61440	11	25
119600-11460	4	2
	16	8
119609-22950	7	34
119620-01620	1	13
119620-01750	3	3
119620-02450	6	4
119620-14200	6	1
	17	3
119620-21941	7	13
119620-59700	12	42
119621-21681	7	12
119643-66900	15	25
119650-77910	15	26
119653-77950	11	127
119685-42281	9	8
119717-01800	2	3
119717-03031	4	35
119717-03070	4	36
		37
119717-11131	4	15
119717-11190	4	17
119717-11260	4	24
119717-11340	4	18
	16	6
119717-11350	4	19
119717-11650	4	26
119717-13109	5	1
119717-13110	5	2
	16	9
119717-13600	5	3
119717-23200	7	26
119717-23910	7	29
119717-49800	9	22
119717-51150	10	13
119717-51190	10	15
119717-51420	10	27
119717-51500	10	37



## PARTS No. INDEX

PARTS No.	Fig.	Ref.No.
119717-51570	10	43
119717-51711	10	68
119717-51750	10	69
119717-51761	10	70
119717-51860	10	82
119717-61050	11	2
119717-61060	11	84
119717-61070	11	3
119734-02220	1	32
119740-42350	9	16
119761-61560	11	93
119802-03100	4	38
119802-03110	4	39
119802-03121	4	40
119802-03131	4	41
119802-03141	4	42
119802-13620	5	4
119810-55340	13	3
119810-55650	13	8
119833-55620	13	1
119840-59570	12	41
119865-21600	7	10
121023-01551	2	8
121111-21501	7	7
121250-44901	9	26
121250-55620	13	7
121254-55510	13	4
121257-55720	13	31
121257-55731	13	32
121450-42450	9	25
122710-51090	10	8
124060-01050	1	4
124064-55510	13	28
124066-59100	12	39
124160-01751	4	33
124195-77770	14	21
124465-44950	9	27
		28
	16	18
124550-51350	10	23
124732-77340	15	22
124766-59050	12	33
	13	17
		20
128990-51330	10	22
129008-61301	11	67
129100-01580	3	1
	7	2
129100-35140	8	6
129100-51560	10	42

PARTS No.	Fig.	Ref.No.
129100-51570	10	44
129100-61650	11	57
129150-11230	4	27
129150-11750	4	29
129150-25301	6	12
129150-59120	12	24
129150-59131	12	27
129155-51020	10	5
129155-51140	10	12
129155-51280	10	18
129155-51400	10	25
129155-51521	10	38
129155-51530	10	39
129155-51540	10	40
129155-51550	10	41
129155-51580	10	46
129155-51591	10	47
129155-51600	10	48
129155-52051	10	86
129155-61341	11	68
129155-61450	11	26
129155-61460	11	69
129155-61480	11	28
129155-61830	11	62
129156-61460	11	27
129209-61370	11	16
129209-61920	11	71
129209-61930	11	72
129209-61970	11	73
129210-59140	12	32
	13	16
129210-59230	13	19
129211-77920	15	29
129335-55700	13	24
129350-49530	9	21
129400-92410	16	25
129457-44760	9	19
129486-35210	3	4
129486-61540	11	53
129500-61720	11	126
129508-11180	4	16
129555-59511	13	21
129698-77110	14	2
129698-77120	14	3
129698-77130	14	4
129698-77140	14	5
129698-77150	14	6
129698-77161	14	7
129698-77180	14	9
129698-77190	14	10

PARTS No.	Fig.	Ref.No.
129698-77250	14	14
129900-32040	1	33
	16	11
129901-11450	4	1
	16	7
129901-59560	12	37
	16	20
129972-77341	15	23
158552-61900	11	70
158600-51170	10	14
158600-51410	10	26
158600-51420	10	28
158600-51442	10	29
158600-51570	10	45
158600-51790	10	71
171056-49120	9	24
171081-55910	13	36
174307-51700	11	35
719028-51310	10	1
719125-53100	12	1
977770-1207F	16	26

PARTS No.	Fig.	Ref.No.
-----------	------	---------



***YANMAR CO.,LTD.***