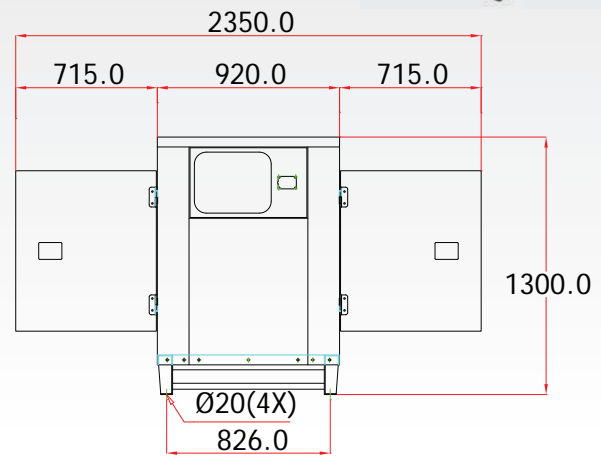
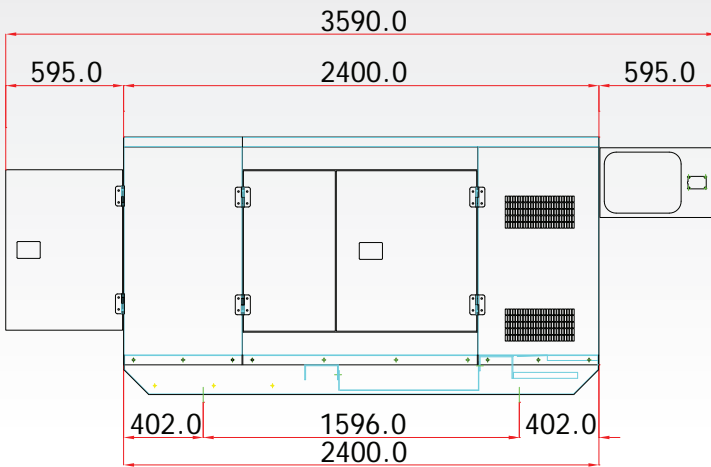
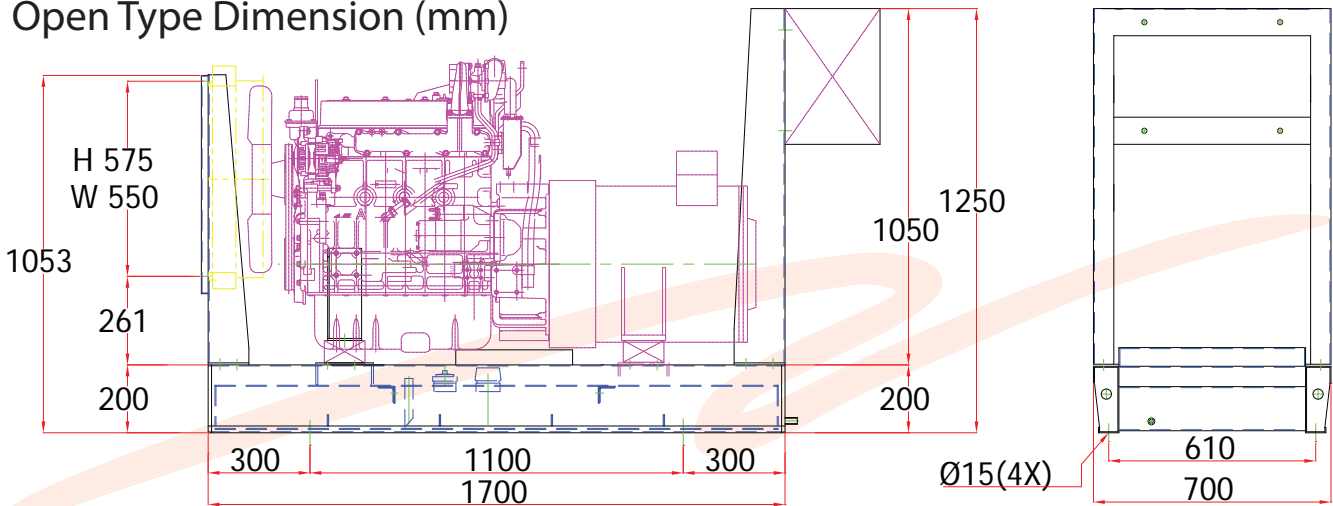




Silent Type Dimension (mm)



Open Type Dimension (mm)



Genset & Engine Specification

AC Generator Model			YTG65TLV	
Output rating (kVA)	50 Hz	380V	Prime	50.0
			Standby	55.0
	60 Hz	440V	Prime	60.0
			Standby	65.0
Rated current (A)	50 Hz	Prime	76.0	
		Standby	83.6	
	60 Hz	Prime	78.7	
		Standby	85.3	
Rated frequency / rated speed	50 Hz	1500 RPM		
	60 Hz	1800 RPM		
No. of poles	4 poles			
Phase and wire	3-phase / 4 wires			
Power factor	0.8 (lagging)			
Voltage regulation	Within +/- 1.5 %			
Excitation	Brushless, Rotating Exciter (with AVR)			
Insulation	Class 'F' / 'H'			
Approx dry weight (silent)		kg	1362	
Sound Level dBA from 1 meter / 7 meter		dBA	78 / 68	
Approx dry weight (open)		kg	1045	

Engine Model		4TNV106
Type of combustion chamber		Direct Injected
Air intake system		NA
Output rating (HP)	1500 RPM (50 Hz)	61
	1800 RPM (60 Hz)	72.5
Rated speed (50/60 Hz, rpm)		1500 / 1800
Bore (mm) x stroke (mm)		106 x 125
Piston displacement (cm ³)		4412
No. of cylinders		4
Fuel		Diesel Fuel ASTM 2D
Fuel consumption (L/hr) at 100% load	50 Hz	11.5
	60 Hz	13.9
Lubricating oil capacity (L)		14
Coolant capacity (L)		6
Fuel tank capacity (L)	sound proof	140
	open skid	110
Starting motor (v-kW)		12 - 3.0
Charging generator (V-A)		12 - 60
Battery capacity (V-Ah)		12 - 65 x 1
Starting system		Electric Starting Motor
Cooling system		Radiator with fan
Lubricating system		Forced lubrication with trochoid pump

POWERED BY :

