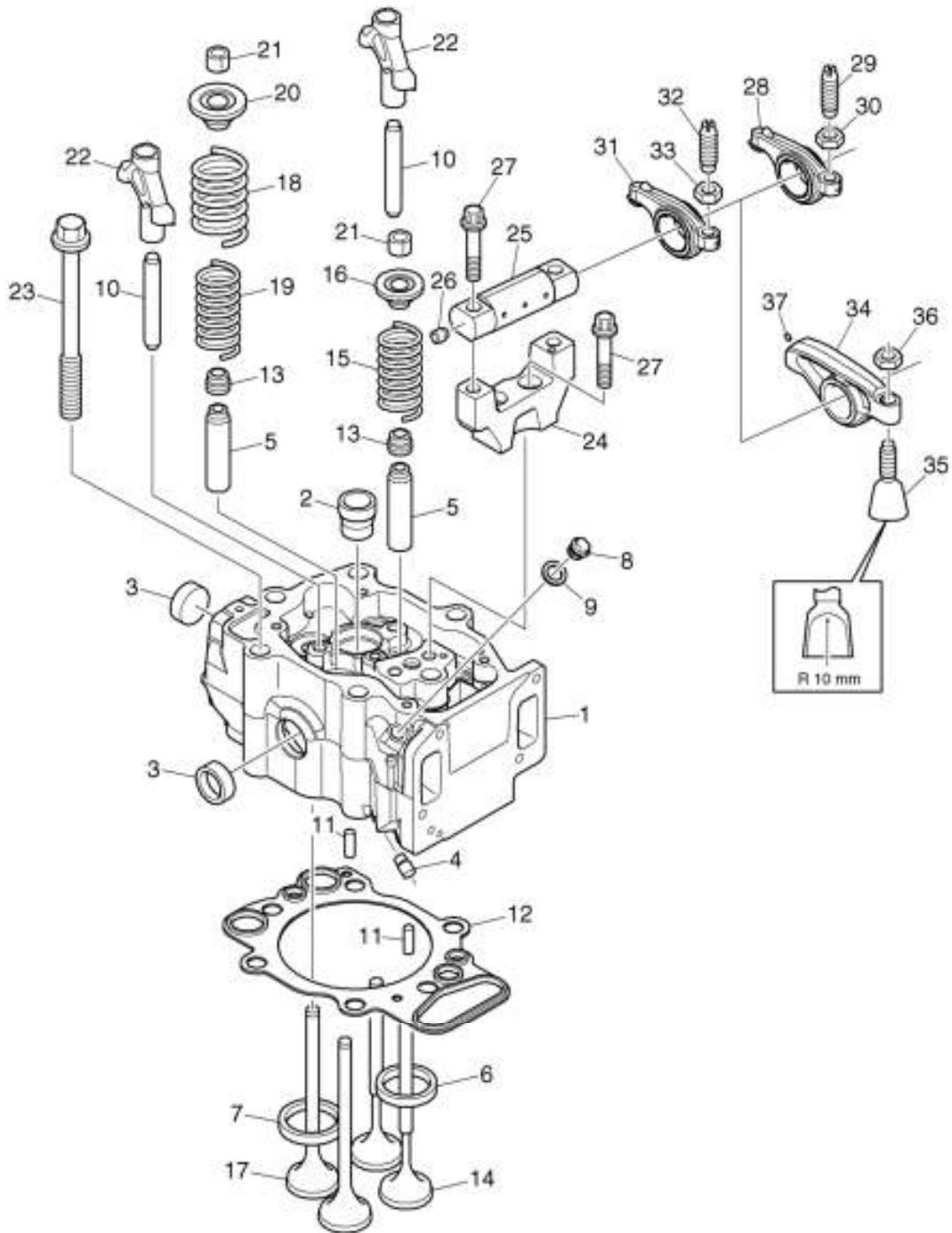




01-01-2293 Cylinder head, D12A EMS



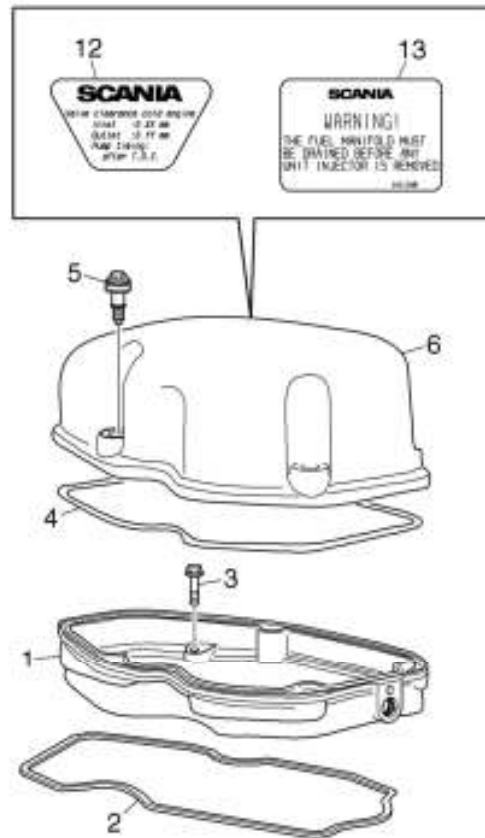
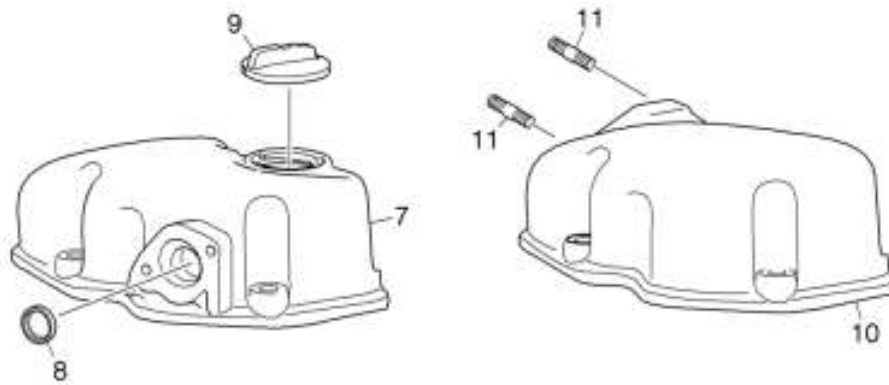
144697

01-01-2293 Cylinder head, D12A EMS

Pos.	Part no.	Remark	A	Description
1	1846125	X 1743124	6	Cylinder head
	570073		6	Cylinder head
2	1365196		6	•Sleeve
3	1345683	ø 36 mm	12	•Core plug
4	1436192	ø 6 mm	12	•Rivet plug
5	1403823		24	•Valve guide
6	1510399	intake, std	12	•Valve seat insert
	1510400	intake, osz	12	Valve seat insert
7	1805493	1403828 exhaust, std std,	12	•Valve seat insert
	1805494	1403829 exhaust, osz osz,	12	Valve seat insert
8	812371	M12x1.5x9	6	•Screw plug
9	1373791		6	•Sealing washer
10	1798631	803509	12	Pin
11	803466	8x20	12	Pin
12	1468555		6	Cylinder head gasket
13	1328563	K	24	Seal
14	1785076	1477022	12	Intake valve
15	1519700	1307117	12	Valve spring
16	1305723	intake	12	Valve spring collar
17	1791152	1445830	12	Exhaust valve
18	1519702	1307115	12	Valve spring
19	1519701	1307116	12	Valve spring
20	1305724	exhaust	12	Valve spring collar
21	377338		48	Split collet
22	1846932	1793873	12	Valve bridge
23	1852442	1451946	36	Screw
24	1487541		6	Bearing bracket
25	1520439		6	Shaft
26	1436192	ø 6 mm	6	•Rivet plug
27	1487542		12	Tight-fit screw
28	1438752	intake	6	Rocker arm
29	1481810	1408646 M10	6	•Adjusting screw
30	394640	M10	6	•Hexagon nut
31	1438755	exhaust	6	Rocker arm
32	1375882	M10	6	•Adjusting screw
33	394642	M10	6	•Hexagon nut
34	1521889	1465288 injector	6	Rocker arm
35	1863494	1534642	6	•Adjusting screw
36	815115	M12	6	•Hexagon nut
37		nsp,	6	•Rivet plug
	550469	See reference 1/99/382	6	Gasket kit
				Cylinder head



01-01-0021 Rocker cover, D12A EMS



141815

**01-01-0021 Rocker cover, D12A EMS****Qty**

A

B For engines with closed crankcase ventilation.

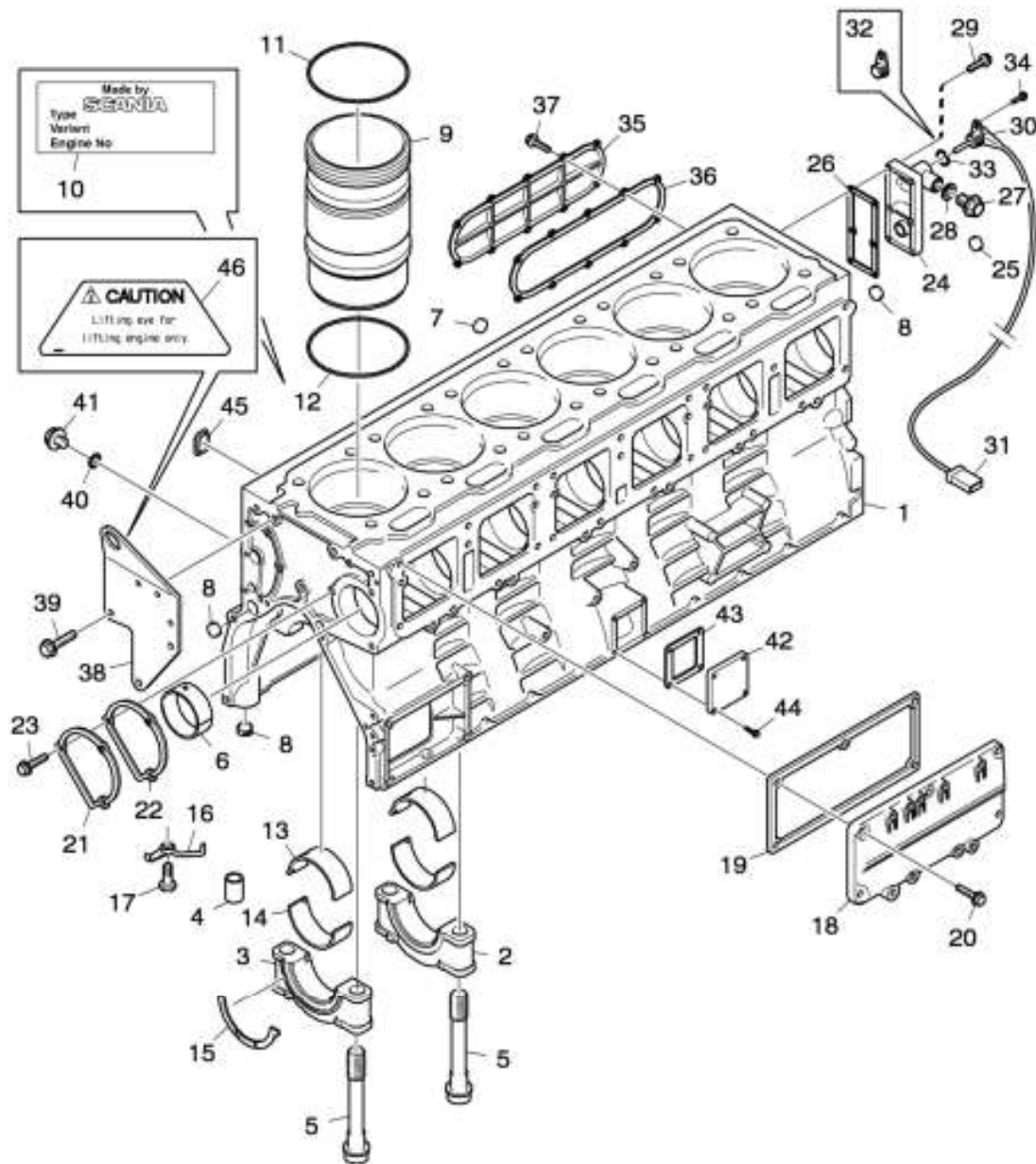
C DI12 49A

D For engines with open crankcase ventilation.

Pos.	Part no.	Remark	A	B	C	D	Description
1	1476399	lo,	6				Rocker cover
2	1542104	1476506 lo	6				Rocker cover gasket
3	812519	M8x30	24				Flange screw
4	1411851	up	6				Rocker cover gasket
5	1422162		30				Flange screw
6	1511983		4		5		Rocker cover
7	1528924		1	2			Rocker cover
	1511984				1		Rocker cover
8	1345682	ø 25 mm	1	2			Core plug
9	931106		1				Filler cap
10	1794905	1460593				1	Rocker cover
11	800043					2	•Stud
12	1386347		1				Instruction plate
13	1792922	1411348	1				Plate



01-05-0147 Cylinder block, DC12 46A/47A/48A, D12A EMS



302155

**01-05-0147 Cylinder block, DC12 46A/47A/48A, D12A EMS**

Series no.

EN 6519871- SSS
EN 8712470- SLA

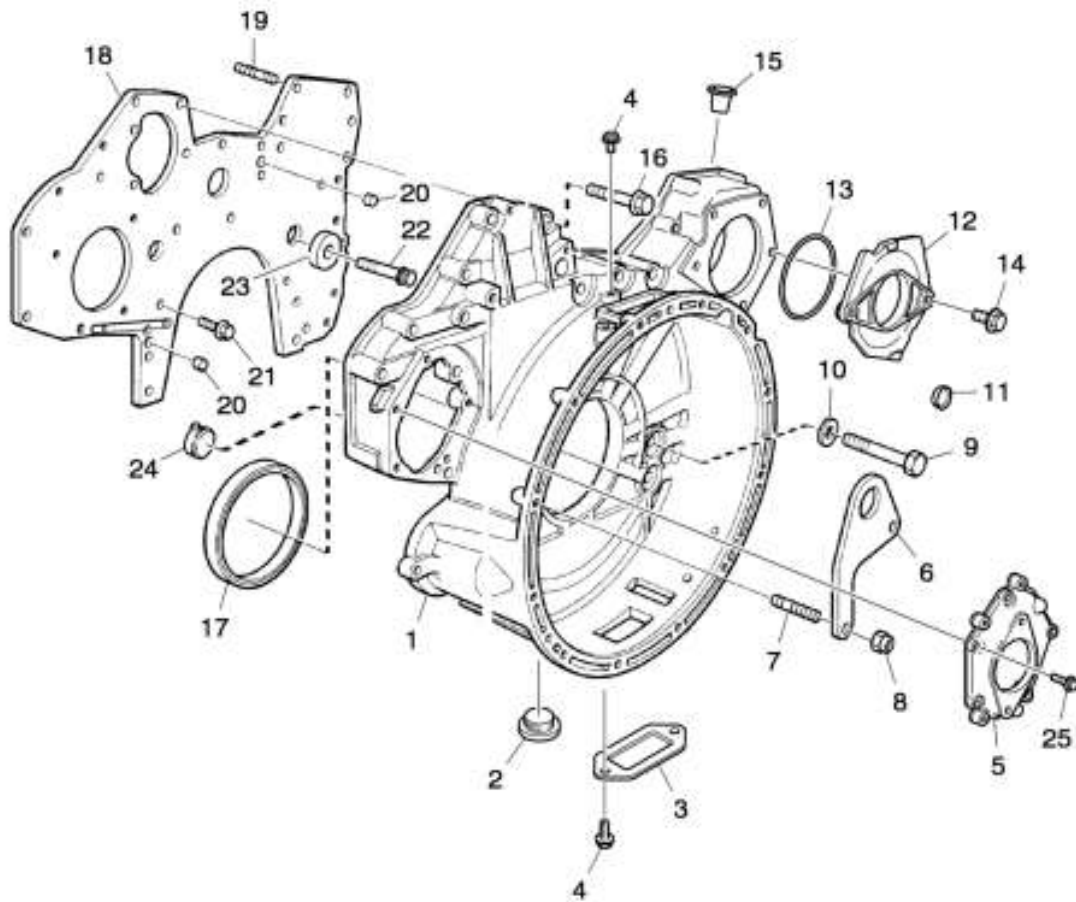
Pos.	Part no.	Remark	A	Description
1	1859436	1858293	1	Cylinder block
2		nss	6	•Bearing cap
3		nss	1	•Bearing cap
4	1858287		14	•Guide sleeve
5	1858292	M19x190	14	•Screw
6	1412298		7	•Bearing bush
7	1345683	ø 36 mm	2	•Core plug
8	1378301	ø 21 mm	6	•Core plug
9	1868159		6	Cylinder liner
10	1859198		1	Plate
11	1768938	ø 142.5x3.5 mm	6	O-ring
12	1730424	ø 148.5x4 mm	6	O-ring
3+14	1779130	STD Included in cylinder block assembly.	7	Bearing
	1777779	usz -0.25, assy	7	Bearing
	1777780	usz -0.50, assy	7	Bearing
	1777781	usz -0.75, assy	7	Bearing
	1777782	usz -1,00, assy	7	Bearing
15	1350815	STD	2	Thrust bearing
	1439892	osz +0.16	2	Thrust bearing
	1439893	osz +0.26	2	Thrust bearing
	1439894	osz +0.52	2	Thrust bearing
	1439895	osz +1.02	2	Thrust bearing
16	1526821		6	Piston cooling nozzle
17	1525387	M10	1	•Banjo screw
18	1420745		3	Side cover
	1420745	PDE ou	2	Side cover
	1835795	PDE ctr	1	Side cover
19	1497061		3	Gasket
20	1402555	M8x30	21	Flange screw
21	1376454		1	Cover
22	1375387		1	Gasket
23	812516	M8x20	3	Flange screw
24	1413932		1	Flange pipe
25	1404765		1	Core plug
26	1374325		1	Gasket
27	812376	M22x1.5x9	1	Screw plug
28	1374839		1	Sealing washer
29	812516	M8x20	6	Flange screw
30	1865317	assy,	1	Temperature sensor
		nss, D12A PDE See reference 16/45/1200	1	Temperature sensor
		terminal marked 10		
31	1383575		1	•Contact housing

**01-05-0147 Cylinder block, DC12 46A/47A/48A, D12A EMS**

Pos.	Part no.	Remark	A	Description
	1347492	2-pol	1	•Wedge lock
	1361118		2	•Cable terminal round socket
32	1347329		1	Plug
33	393187	11.3x2.4	1	O-ring
34	812989	M6x16	1	Self-tapping screw
35	1545741		1	Cover
36	1375383		1	Gasket
37	812521	M8x40	10	Flange screw
38	1403797		1	Lifting eye
39	1368493	M12x30	3	Flange screw
40	1373790		1	Sealing washer
41	812513	M8x12	1	Flange screw
42	1425173		1	Cover
43	1510331		1	Gasket
44	812516	M8x20	4	Flange screw
45	1881922		1	Cover
46	1860374		1	Warning plate



01-05-0031 Flywheel housing, timing gear plate, D12A EMS



300052

**01-05-0031 Flywheel housing, timing gear plate, D12A EMS**

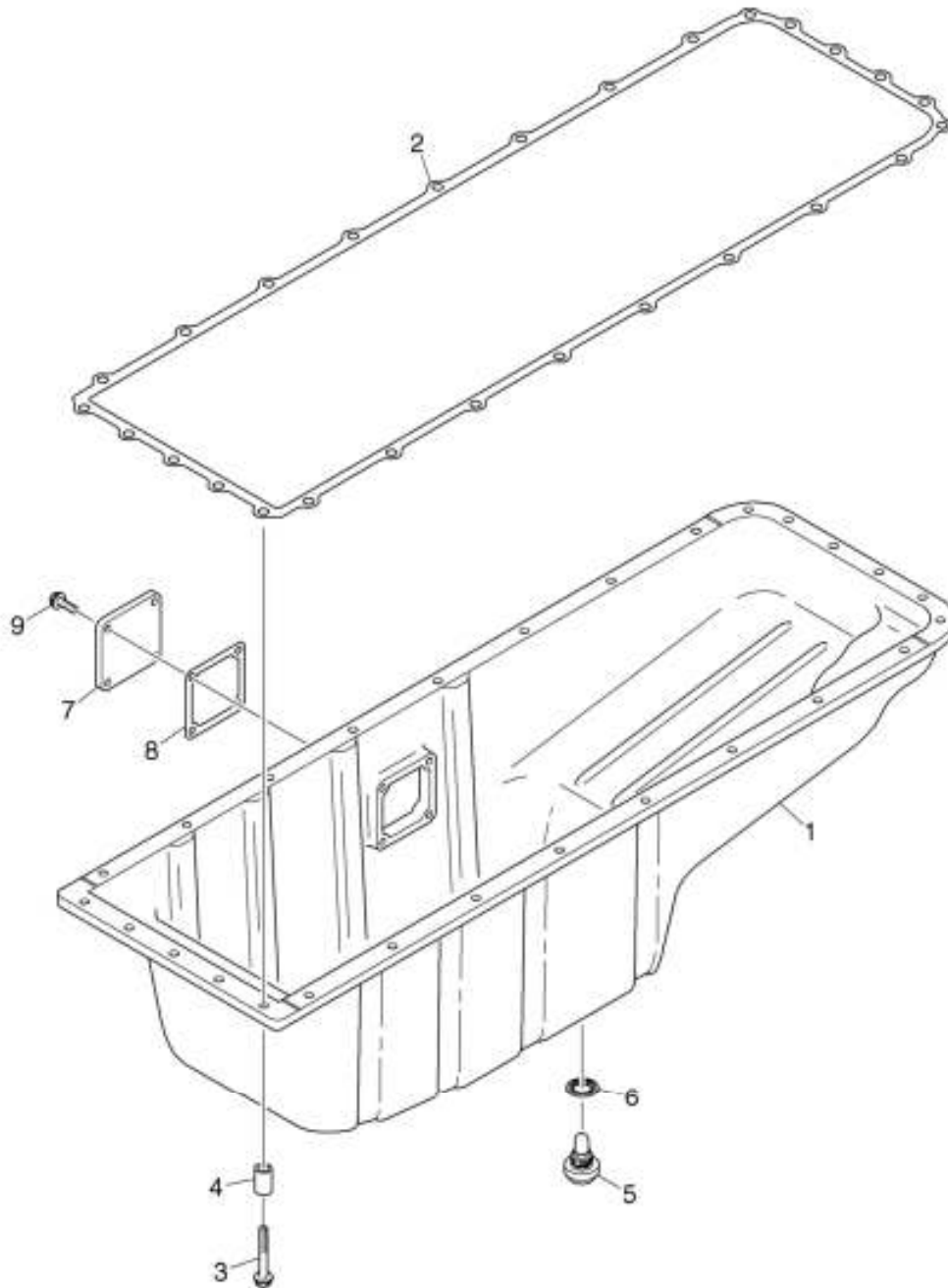
Series no.

EN 6517507- SSS

Pos.	Part no.	Remark	A	Description
1	1724541		1	Flywheel housing
	348380		6	•Thread insert
2	1423446		2	Cover
3	1779895		1	Cover
4	812516	M8x20	5	Flange screw
5	1519675	without air compressor When there is no compressor.	1	Flange
	1344913	ø70 without air compressor When there is no compressor.	1	Core plug
6	1360442		2	Lifting eye
7	800614	M10x60	12	Stud
8	815615	M10	12	Lock nut
	815133	M10 alt.	12	Flange nut
9	814898	M12x100	9	Hexagon screw
10	132248	13x28	9	Washer
11	237903	ø 21 mm	1	Core plug
12	1725582	Engine without power take-off.	1	Cover
13	1437280	144,5x3 Engine without power take -off.	1	•O-ring
14	812537	M10x30 Engine without power take -off.	2	Flange screw
15	1480948	ø17	2	Protective cap
16	812537	M10x30	6	Flange screw
17	1757903	ø185 mm	1	Seal
18	1548221	EN -6521052 SSS	1	Timing gear plate
	812547	M10x80 EN -6521052 SSS	1	Flange screw
19	1530450		10	Stud
20	803579	16x35	2	Pin
21	1360986	M10x30	6	Flange screw
22	1401737	M18x80	1	Flange screw
23	1401738		1	Washer
24	1448894		1	Plug
25	812518	M8x25 without air compressor When there is no compressor.	5	Flange screw



01-05-1299 Oil sump, D12A/M



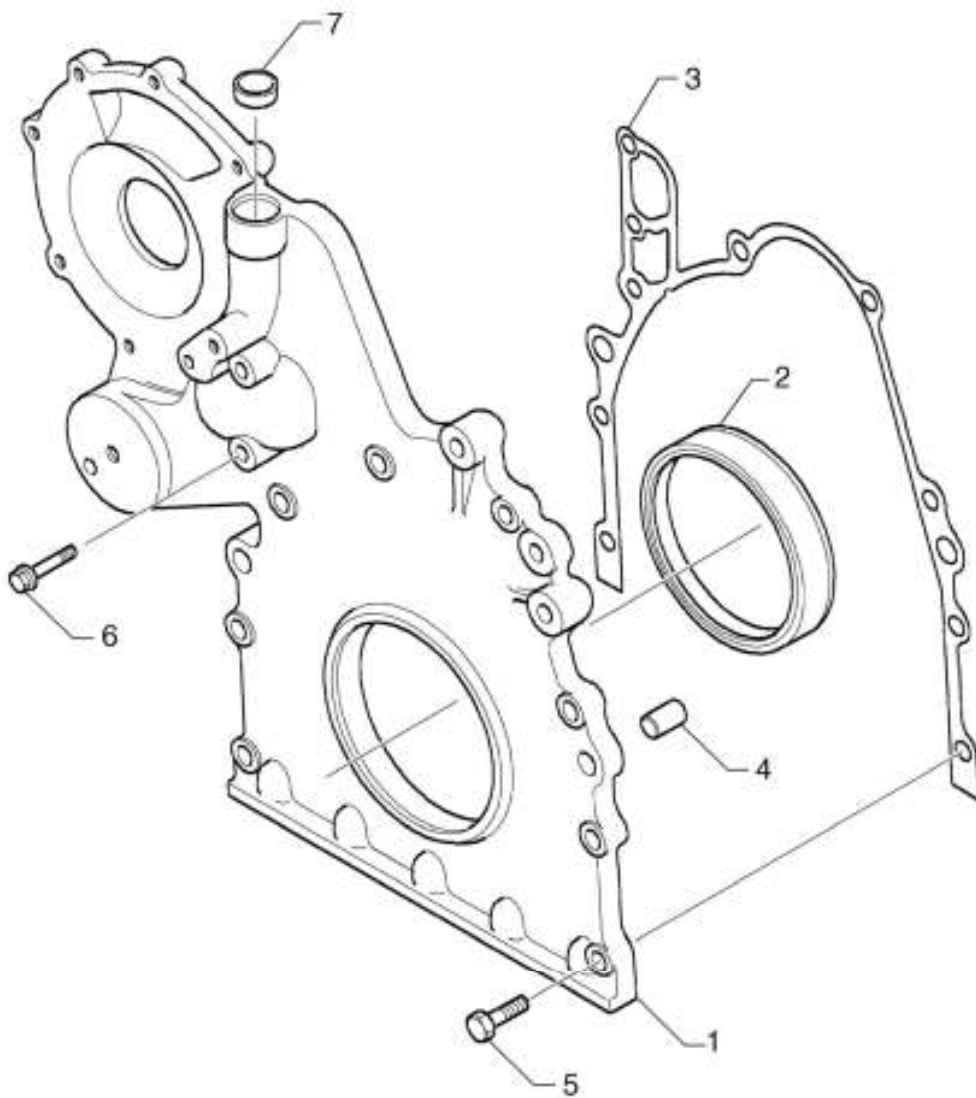
138754

**01-05-1299 Oil sump, D12A/M**

Pos.	Part no.	Remark	A	Description
1	1420827	1380752 assy	1	Oil sump
2	816064		1	Silicone paste
3	1362922	M8x60	27	Flange screw
4	1424241		27	Spacing sleeve
5	1433641	1423608	1	Magnetic plug
6	1439814	1423610 24,2 x 4,2	1	Sealing washer
7	324737		1	Cover
8	1320292		1	Gasket
9	1351356	M8x25	4	Screw



01-05-0014 Casing, whole front,



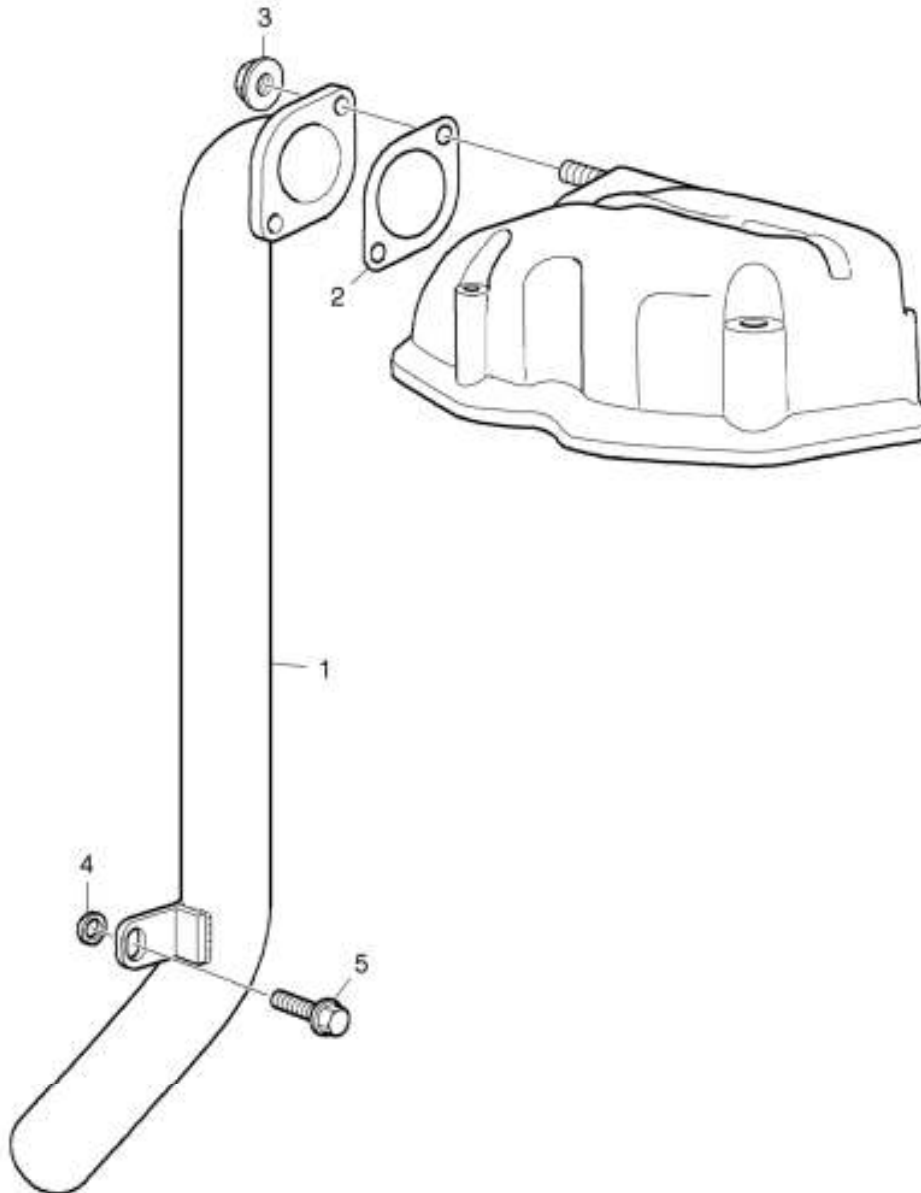
109070

**01-05-0014 Casing, whole front,**

Pos.	Part no.	Remark	A	Description
1	1516037	1399322	1	Casing
2	1392708		1	Shaft seal
3	1423290	1384004	1	Gasket
4	803579	16x35	2	Pin
5	812539	M10x40	8	Screw
6	812525	M8x60	2	Flange screw
7	1322867	ø 27.8 DSC12	1	Core plug



01-05-0007 Crankcase ventilation, pointing down,



155454

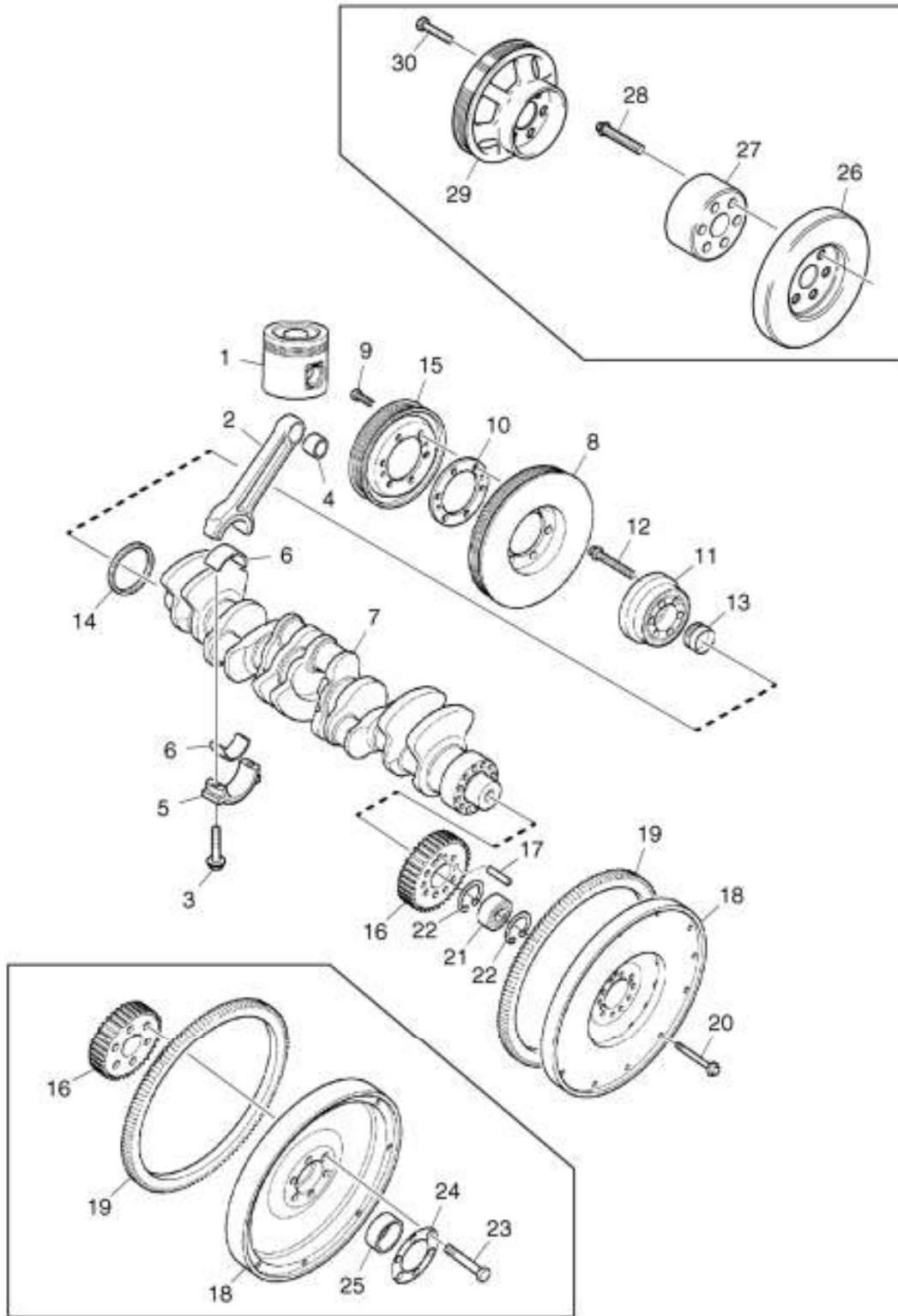


01-05-0007 Crankcase ventilation, pointing down,

Pos.	Part no.	Remark	A	Description
1	1405682		1	Pipe assembly
2	1405707		1	Gasket
3	815132	M8	2	Flange nut
4	807324	8,4x16	1	Washer
5	812522	M8x45	1	Flange screw



01-10-0031 Crank mechanism,



1469888

01-10-0031 Crank mechanism,
Series no.

EN 6514495- SSS

Pos.	Part no.	Remark	A	Description
1		See reference 1/10	6	Piston
2	1538036		6	Connecting rod
3	1732524	M14x70	2	•Screw
4	1440359		1	•Bearing bush
5		nss	1	•Bearing cap
6	1745175	1785692 kit	6	Connecting rod bearing
	1786249	usz -0.25	6	Bearing shell
	1786250	usz -0.50	6	Bearing shell
	1786251	usz -0.75	6	Bearing shell
	1786252	usz -1	6	Bearing shell
7	1743584	X	1	Crankshaft
	574410		1	Crankshaft
8	1421287	1367619	1	Crankshaft damper
9	394588	M12x35	6	Hexagon screw
10	348796	TH=5 Single belt drive	1	Washer
	1421288	TH=3 Fan ratio 1:1	1	Spacer
11	1399321		1	Driver
12	1365812	M14x74.5	6	Screw
13	1398276		1	Spacing sleeve
14	1385284		1	Sealing ring
15	1743665	ø260 Fan ratio 1:1	1	Pulley
	1728523	1401692 Fan ratio 1:0.8	1	Pulley
16	1466704		1	Crankshaft gear
17	803519	12x40	1	Pin
18	1488377	SAE 14"	1	Flywheel
	1772677	1499588 SAE 14" coupling SAE 14" D12A EMS	1	Flywheel
	1488378	Clark 15"	1	Flywheel
	1533776	1521692 Clark 15" D12A EMS	1	Flywheel
	1487557		1	Flywheel
		D12A in line pump		Friction clutch
	1487558		1	Flywheel
		D12A EMS unit injector		Friction clutch
19	1527913		1	•External ring gear
20	1506395	M16x90	10	Screw
21	1313606		1	Ball bearing
22	804835	ø62 mm	2	Snap ring
23	1390373	SAE 14"	10	Screw
	1506395	M16x90 Clark 15"	10	Screw
24	1402197	SAE 14"	1	Washer
25	1402371	SAE 14"	1	Guide sleeve
	1756207	Clark 15" EN 6512522- SSS	1	Bush
	804835	ø62 mm Clark 15"	1	Snap ring



SCANIA

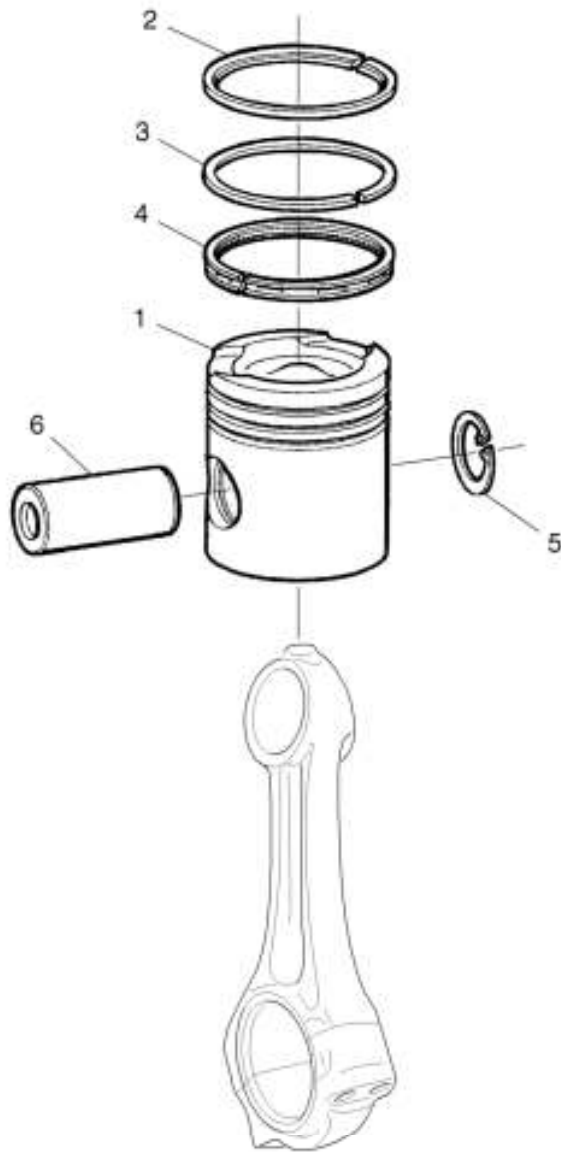


01-10-0031 Crank mechanism,

Pos.	Part no.	Remark	A	Description



01-10-1674 Piston, DSC/DSI/DC/DI12A, D12A EMS



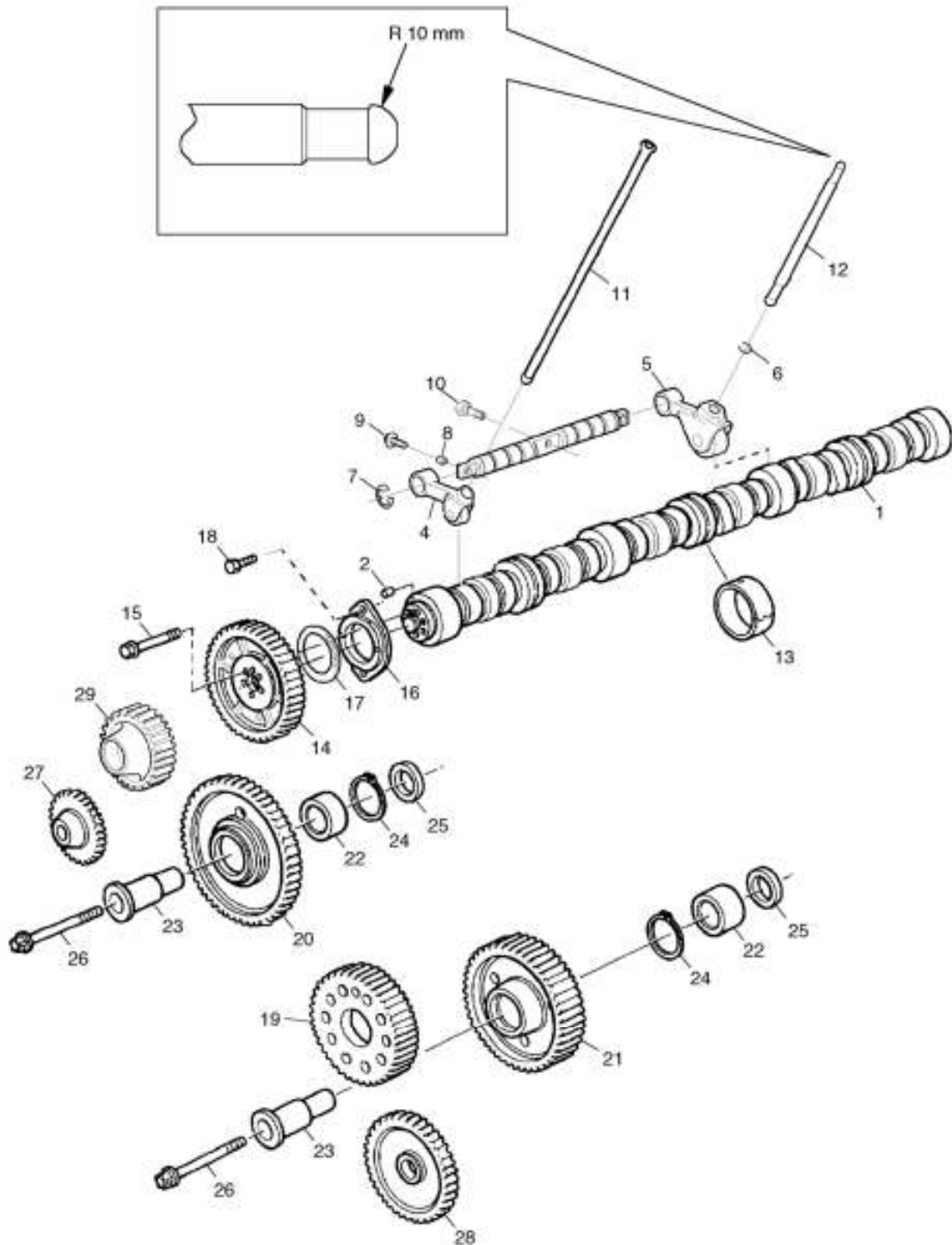
101 091

**01-10-1674 Piston, DSC/DSI/DC/DI12A, D12A EMS**

Pos.	Part no.	Remark	A	Description
	1749014	K 1528397 assy DC12 45A/52A/53A/54A	6	Piston
		59A/60A		
1		K nss	6	•Piston
	550255	K	6	•Piston ring kit
2	1739082	K 1424902	6	••Compression ring
3	247573	K lo	6	••Compression ring
4	1449520	K 1304642	6	••Oil scraper ring
5	1305643	K	12	•Retaining ring
6	1305629	K	6	•Gudgeon pin



01-15-0266 Timing gear, D12A EMS



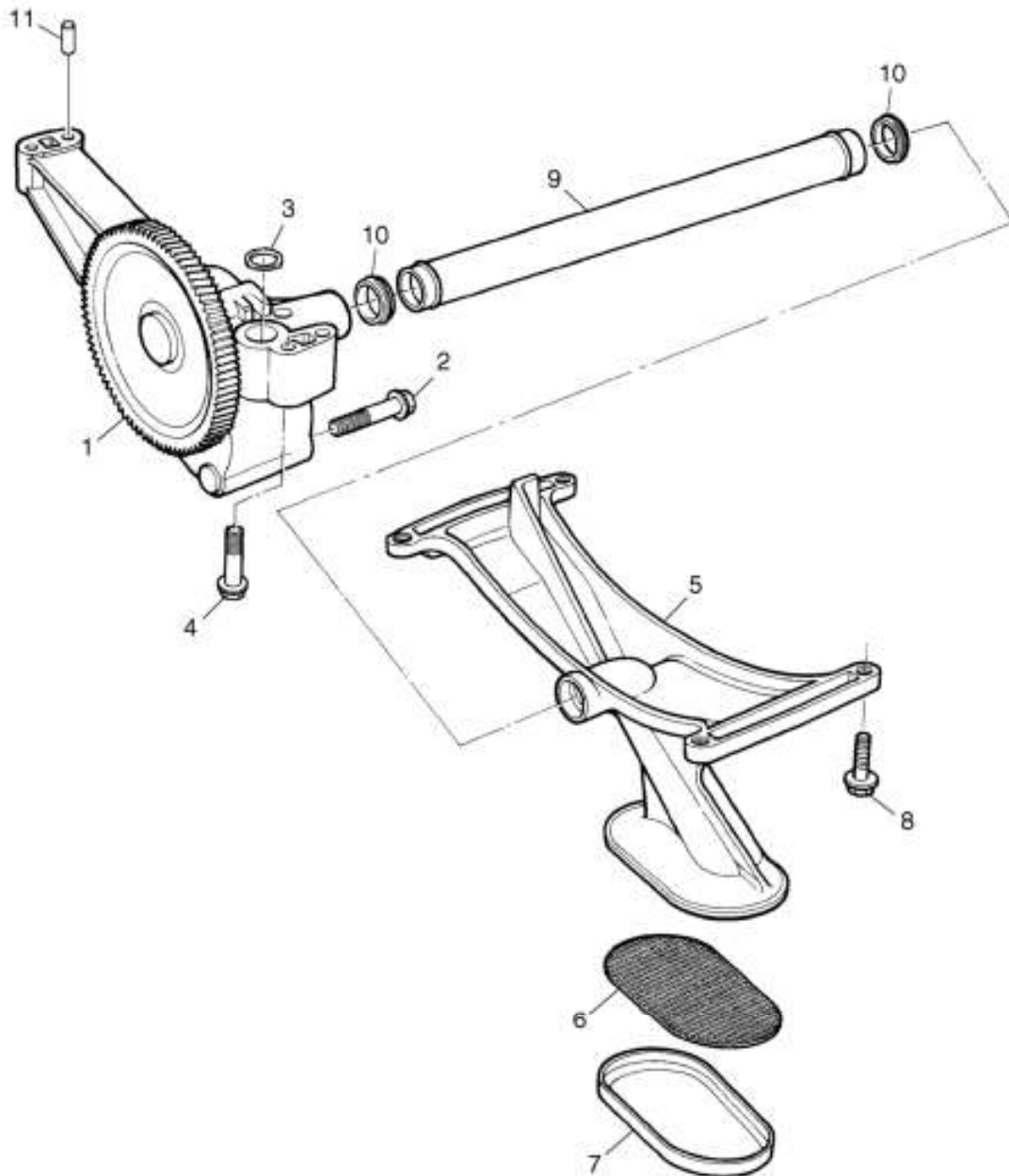
119843

01-15-0266 Timing gear, D12A EMS

Pos.	Part no.	Remark	A	Description
1	1523424	DC12 52/53/59/60A	1	Camshaft
2	803490	10x25	1	Pin
	1540119	1512894	3	Valve tappet
	1514153	Latin America produced vehicles.	3	Valve tappet
3		nss	3	•Shaft
4	1512895	1414664	12	•Roller tappet
	1514154	Latin America produced vehicles.	12	•Roller tappet
5	1540120	1497824	6	•Roller tappet
	1514579	Latin America produced vehicles.	6	•Roller tappet
6	1421102		6	••Snap ring
7	1393390		12	•Retaining ring
8	1331933		6	•Guide sleeve
9	1402555	M8x30	6	Flange screw
10	1848301	1529814	3	Banjo screw
11	1886759	1537951	12	Pushrod
12	1439145		6	Pushrod
13		See reference 1/5	7	Camshaft bearing
14	1479921		1	Gear
15	394595	M10x40	5	Hexagon screw
16	1381970		1	Guide flange
17	1423939		1	Thrust washer
18	1360986	M10x30	2	Flange screw
19		See reference 1/10	1	Crankshaft gear
20	1398294		1	Gear
21	1376355		1	Intermediate gear
22	1774646	1774645	1	Bearing
23	1362621		1	Shaft
24	804842	ø 80mm	1	Snap ring
25	1353861		1	Spacing sleeve
26	1351682	M18x120	1	Screw
27		See reference 13/15		Pump gear
28		See reference 1/20		Oil pump gear
29		See reference 10/15		Compressor gear



01-20-0001 Oil pump, D12A/M



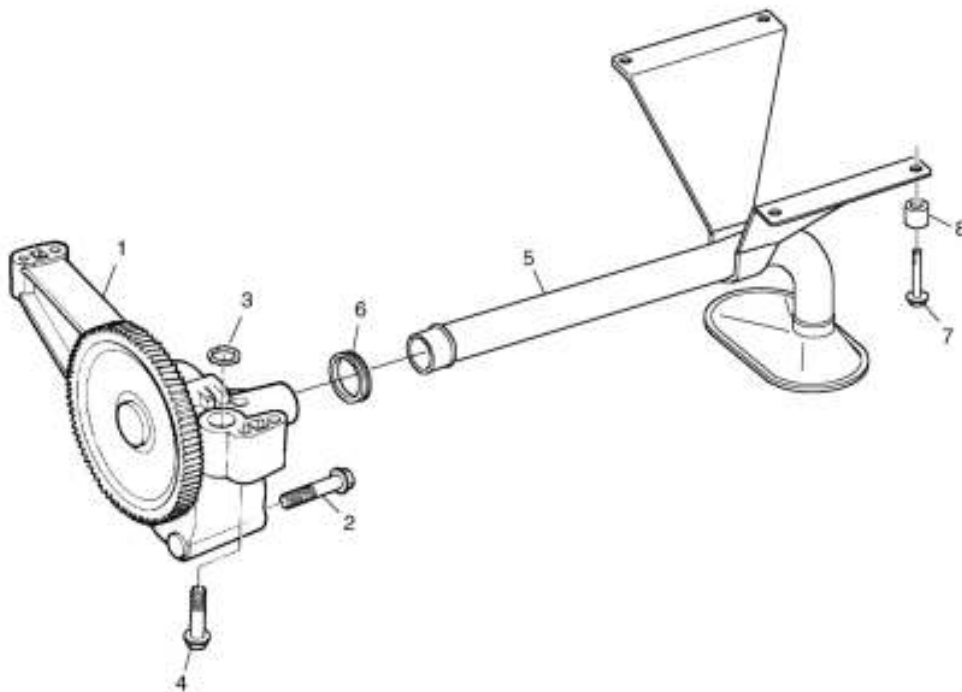
123456

**01-20-0001 Oil pump, D12A/M**

Pos.	Part no.	Remark	A	Description
1	1448659	X 1345719	1	Oil pump
	570177	assy	1	Oil pump
2	812522	M8x45	6	•Flange screw
3	1351692	K	1	Gasket
4	1362922	M8x60	4	Flange screw
	1468946	1428368	1	Suction pipe
5		nss	1	•Suction pipe
6		nss	1	•Strainer
7		nss	1	•Ring
8	812519	M8x30	4	Flange screw
9	1354443		1	Pipe
10	349419	K 29.2x3 EN 6505853- SSS	2	O-ring
11	1331933		4	Guide sleeve



01-20-0011 Oil pump, low, D12A/M



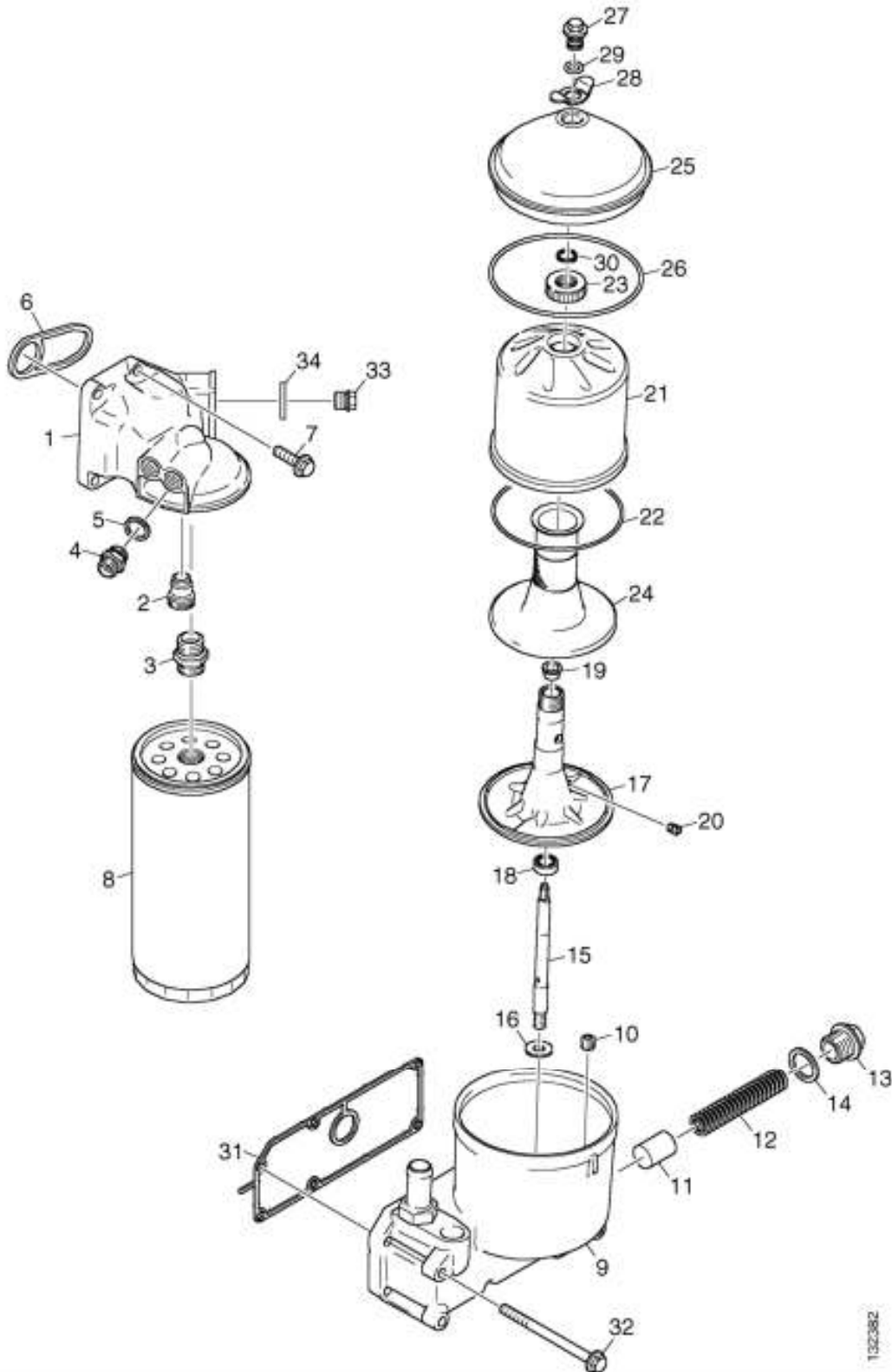
118568

**01-20-0011 Oil pump, low, D12A/M**

Pos.	Part no.	Remark	A	Description
1	1448659	X 1345719	1	Oil pump
	570177	assy	1	Oil pump
2	812522	M8x45	6	•Flange screw
3	1351692	K	1	Gasket
4	1362922	M8x60	4	Flange screw
5	1422583	assy	1	Suction pipe
6	349419	K 29.2x3 EN 6505853- SSS	1	O-ring
7	812521	M8x40	4	Flange screw
8	1423328		4	Spacer



01-20-0067 Centrifugal oil cleaner, oil filter, D12A/M



132382

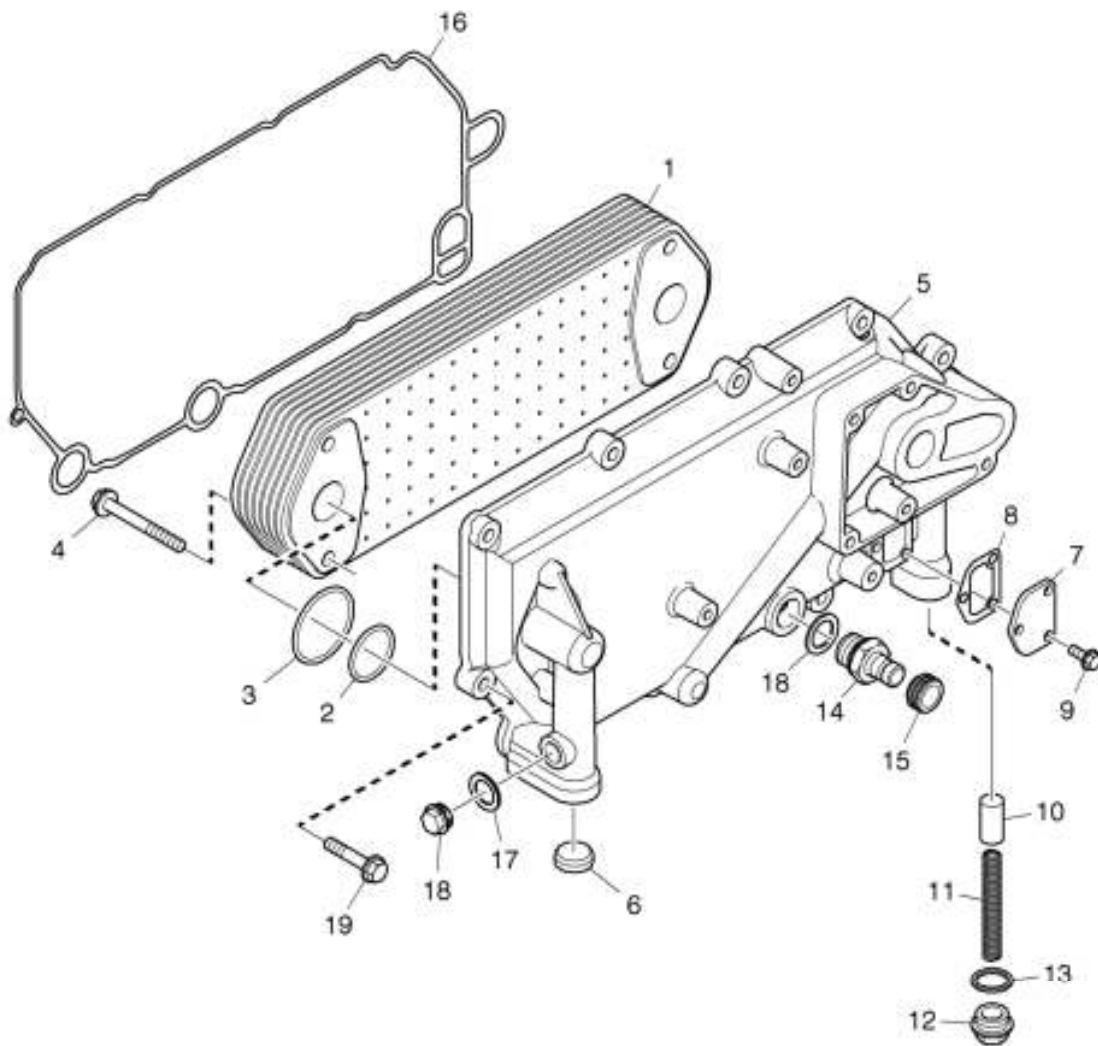
01-20-0067 Centrifugal oil cleaner, oil filter, D12A/M
Series no.

EN 6519832-6519975 SSS

Pos.	Part no.	Remark	A	Description
1	1502755		1	Filter head
2	1420963		1	•Overflow valve
3	1502758		1	•Union
4	813198		1	•Straight union
5	1373793		1	•Sealing washer
6	1479872		1	Gasket
7	812519	M8x30	4	Flange screw
8	1117285		1	Oil filter
	1798593	JCB branded	1	Oil filter
	1774447		1	Centrifugal oil cleaner
9		nss	1	•Housing
10	813202	M12x1.5Kx11	1	••Screw plug
11	259102		1	••Piston
12	1803270		1	••Spring
13	812376	M22x1.5x9	1	••Screw plug
14	1374839		1	••Sealing washer
15	1475436		1	••Shaft
16	211808		1	••Washer
	1475426		1	•Rotor assy
	1475431		1	••Rotor
17		nss	1	•••Rotor
18		nss	1	•••Bearing
19		nss	1	•••Bearing
20		nss	2	•••Nozzle
21	1475432		1	••Cover
22	1769800	117,07 x 3,53	1	••O-ring
23	1475434		1	••Nut
24	1475435		1	••Strainer
		nss	1	•Cover assy
25	372980		1	••Cover
26	1769799	133,0x3,53	1	••O-ring
27	372981		1	••Lock nut
28	372982		1	••Washer
29	372983		1	••O-ring
30	804772	∅ 16	1	••Snap ring
31	1496381		1	Gasket
32	812531	M8x100	4	Flange screw
33	812372	M14x1.5x9	1	Screw plug
34	812414	14.2x17.9	1	Gasket



01-20-0059 Oil cooler, D12A/M



15120B

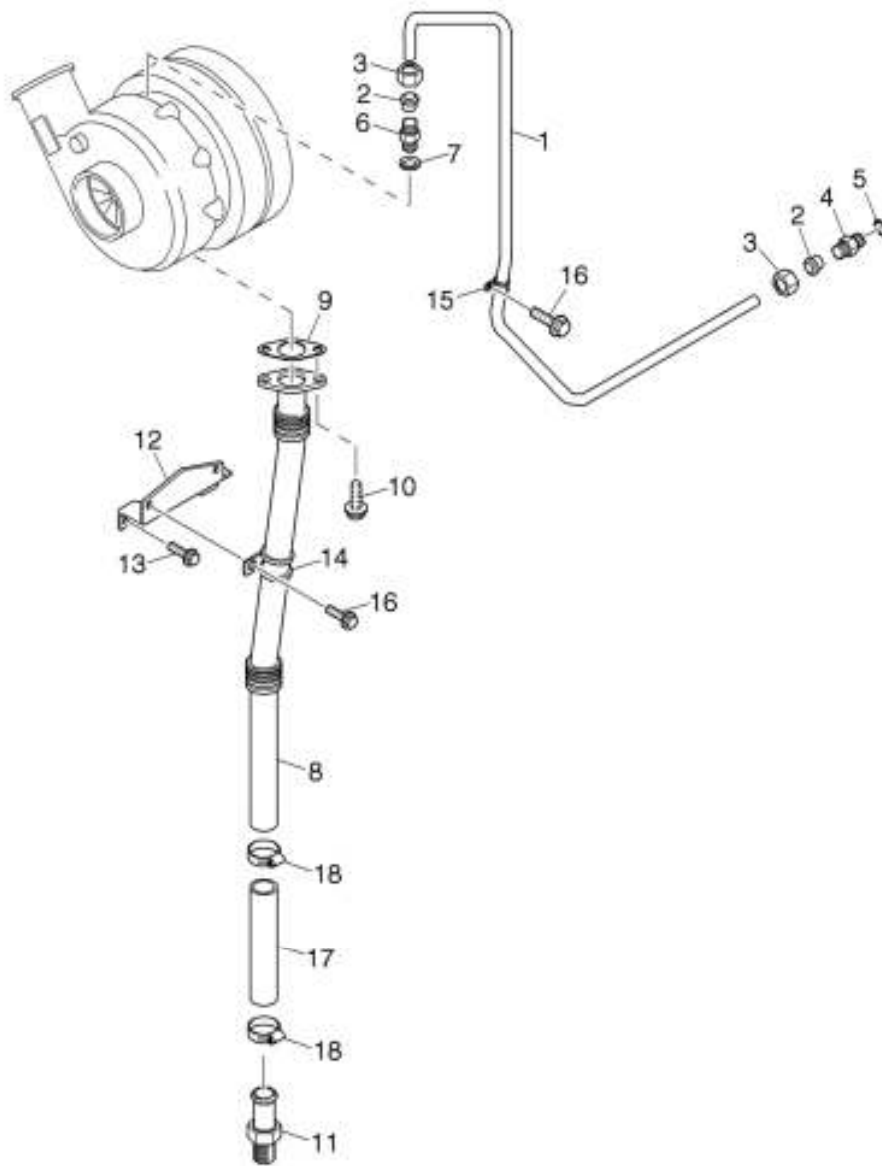
01-20-0059 Oil cooler, D12A/M
Series no.

EN 6519084- SSS

Pos.	Part no.	Remark	A	Description
		assy, nsa	1	Oil cooler
1	1333183		1	Oil cooler
2	1484765		2	Gasket
3	1484766		2	Gasket
4	812527	M8x70	4	Flange screw
	1795526		1	Oil cooler cover
5		nss	1	•Oil cooler cover
6	1345682	ø 25 mm	2	•Core plug
7	372098		1	•Cover
8	1391726		1	•Gasket
9	812502	M6x16	3	•Flange screw
10	259102		1	•Piston
11	302473		1	•Spring
12	812376	M22x1.5x9	1	•Screw plug
13	812418	22.2x26.9	1	•Gasket
14	1853404		1	•Union
15	1350362		1	•Protection sleeve
16	812373	M16x1.5x9	1	Screw plug
17	1373793		1	Sealing washer
18	1746135		1	Gasket
19	812521	M8x40	10	Flange screw
20	1374839		1	Sealing washer



01-20-0013 Lubrication, turbocharger, high mounted, D12A, Exhaust outlet forward



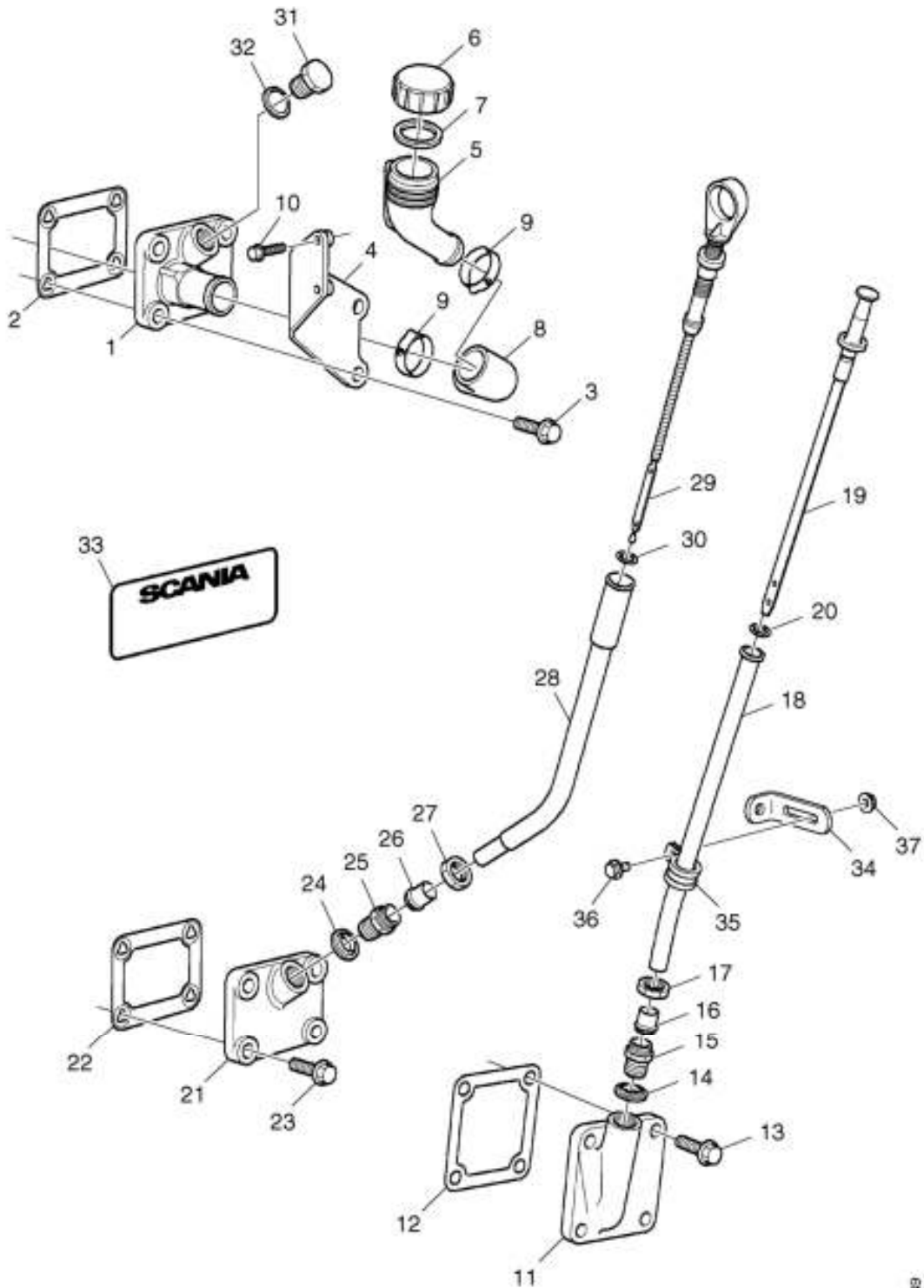
133001

01-20-0013 Lubrication, turbocharger, high mounted, D12A, Exhaust outlet forward

Pos.	Part no.	Remark	A	Description
	1439637	EN 6109331- SSS	1	Lubrication pipe
1	812788	∅ 12	m	•Tube
2	813223	∅ 12	2	•Ferrule
3	814555	∅ 12	2	•Union nut
4	813198	included in filter head	1	Straight union
5	1373793	included in filter head	1	Sealing washer
6	813192	fitted on turbo	1	Straight union
7	1471271		1	Gasket
8	1517617		1	Lubrication oil return pipe
9	1448305		1	Gasket
10	812516	M8x20	2	Flange screw
11		nss	1	Hose union
12	1439642	EN 6106283- SSS	1	Bracket
13	812516	M8x20	2	Flange screw
14	813939	∅ 22mm	1	Clamp
15	813936	∅ 12mm	1	Clamp
16	812502	M6x16	2	Flange screw
17	1477121	22x4, L=105mm	1	Hose
18	1466101	816131 ∅ 23-35	2	Hose clamp



01-20-0006 Oil filler, dipstick, D12A/M



126483

**01-20-0006 Oil filler, dipstick, D12A/M**

Qty A On oil sump
 B On cyl-block LH+RH
 C On cyl-block LH
 D D12A PDE

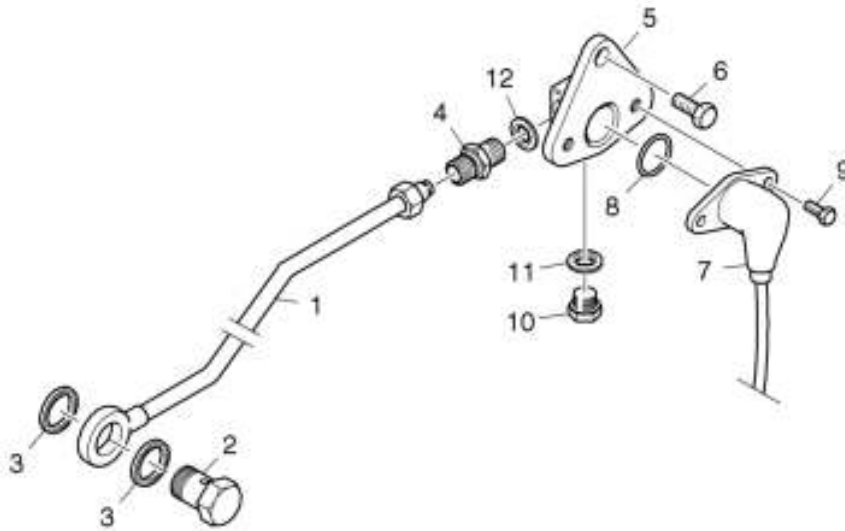
Pos.	Part no.	Remark	A	B	C	D	Description
1	1433035	1422704		1		1	Flange pipe
2	1510331	1422705		1		1	Gasket
3	812519	M8x30		4		4	Flange screw
4	1407499			1			Bracket
	1520629					1	Bracket
5	1407389			1		1	Pipe
6	308678			1		1	Filler cap
7	1307353	64,5x3		1		1	Gasket
8	1448922	373568		1			Hose
	1520630					1	Hose
9	1466076	816112 ø 30-45		2			Hose clamp
	1466076	816112 ø 30-45				2	Hose clamp
10	812500	M6x12		2		2	Flange screw
11	278921	M18x1,5		1			Flange pipe
12	1320292			1			Gasket
13	1351356	M8x25		4			Screw
14	1373794			1			Sealing washer
15	176023			1			Straight union
16	813224	ø 16		1			Ferrule
17	814556	ø 16		1			Union nut
18	1309181	L=325 mm		1			Pipe
19	273048	L=407 mm		1			Dipstick
20	182927	9x3		1			O-ring
21	1425126	1388949				1	Flange
22	1510331	1422705				1	Gasket
23	812519	M8x30				4	Flange screw
24	1373793					1	1 Sealing washer
25	1471257	1455848				1	Guide
	813192					1	1 •Straight union
26	813223	ø 12				1	1 Ferrule
27	814555	ø 12				1	1 Union nut
28	1407391					1	1 Pipe
29	1515998	1479738 L=585 mm				1	1 Dipstick
30	304431					1	1 •O-ring
31	812373	M16x1.5x9				1	Screw plug
32	1373793					1	Sealing washer
33	1382779			1			Instruction plate
34	814664	L=65mm LH side		1			Bracket
	814665	L=65mm RH side		1			Bracket
35	813937	ø 16		1			Clamp



01-20-0006 Oil filler, dipstick, D12A/M

Pos.	Part no.	Remark	A	B	C	D	Description
36	812499	M6x10	1				Flange screw
37	815131	M6	1				Flange nut

01-20-0117 Oil pressure sensor, D12A EMS



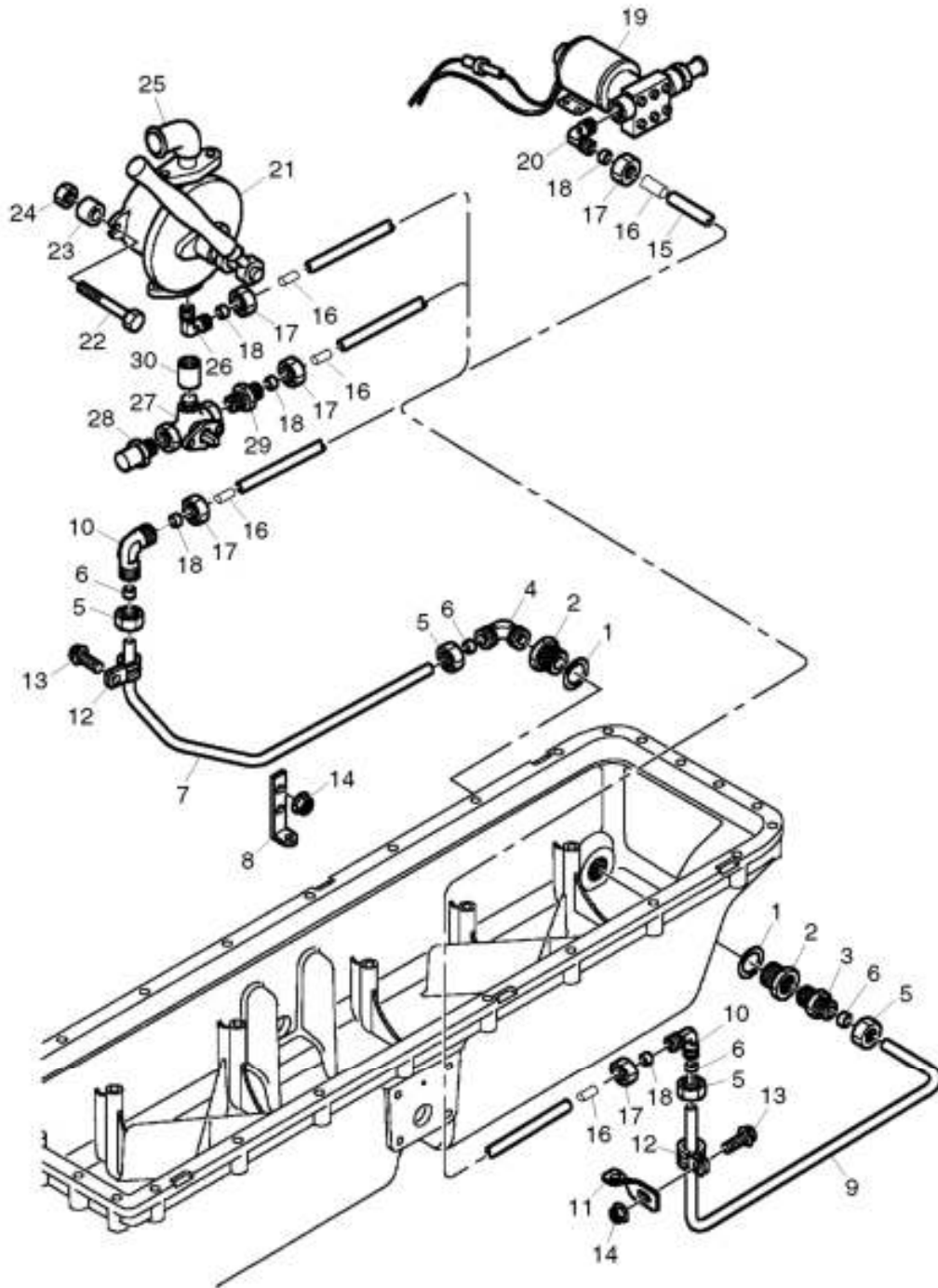
01-20-0117 Oil pressure sensor, D12A EMS
Series no.

EN 6514312- SSS

Pos.	Part no.	Remark	A	Description
1	1491145		1	Pipe
2	1425138		1	Banjo screw
3	1775374	1374847	2	Sealing washer
4	813189		1	Straight union
5	1760707		1	Manifold fitting
6	812514	M8x14	1	Flange screw
7		nss See reference 16/45/1200	1	Oil pressure sensor
8	393187	11.3x2.4	1	•O-ring
9	812989	M6x16	2	Self-tapping screw
10	812372	M14x1.5x9	1	Screw plug
11	1373792		1	Sealing washer
12	1373790		1	Sealing washer



01-20-2115 Oil discharge, low oil sump, D12A/M



1130036

**01-20-2115 Oil discharge, low oil sump, D12A/M**

Qty

A

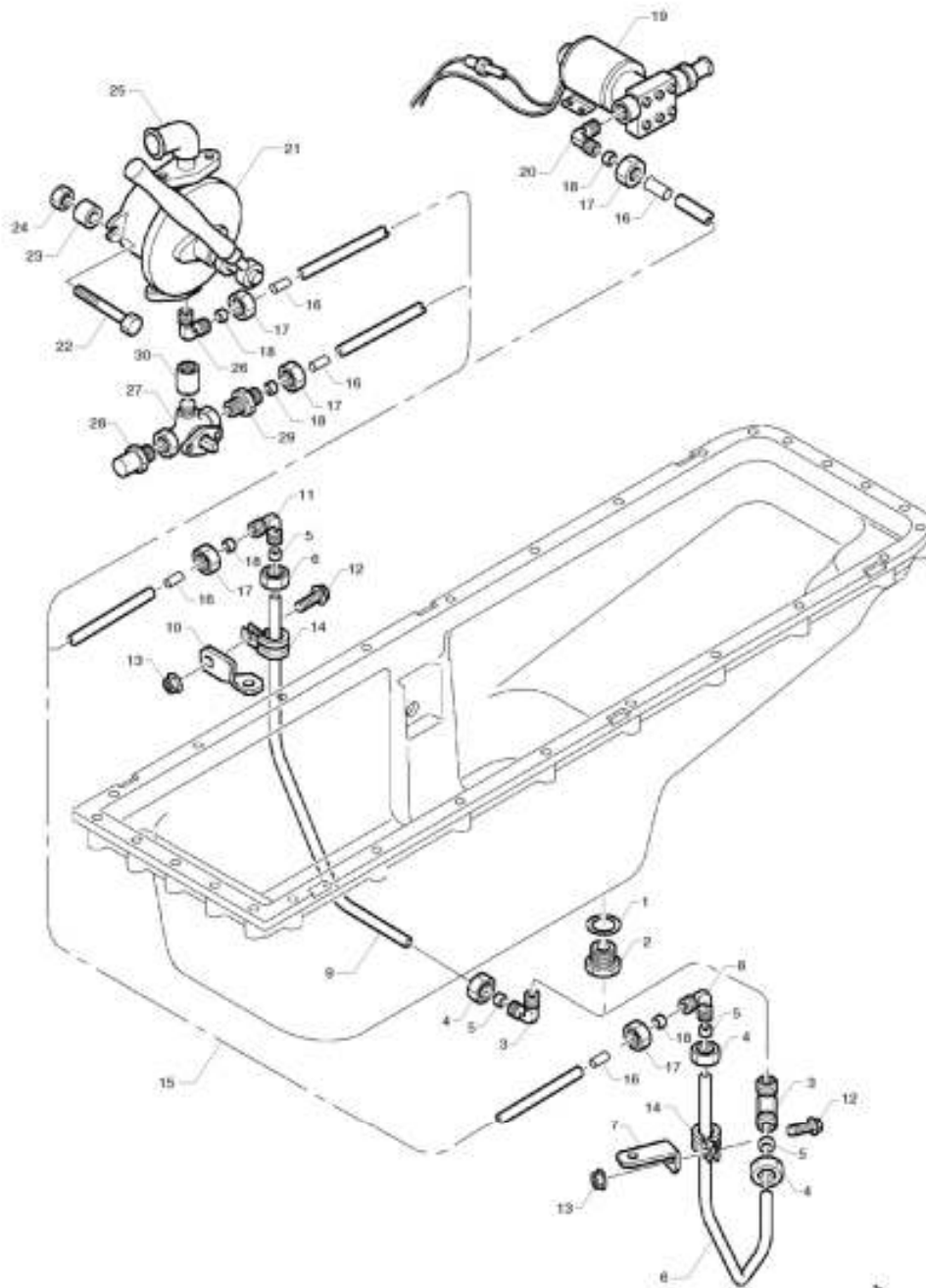
B RH

C LH

Pos.	Part no.	Remark	A	B	C	Description
1	1439814	24,2 x 4,2	1			Sealing washer
2	333773		1			Union
3	812866				1	Straight union
4	812929	M16x1,5k	1			Elbow union
5	814555	ø 12	1			Union nut
6	813223	ø 12	1			Ferrule
7	810458	ø 12x1,5 req. 456mm		1		Tube
8	1358366			1		Bracket
9	1422830				1	Pipe
10	1353484		1			Elbow union
11	312195				1	Bracket
12	813936	ø 12mm	1			Clamp
13	812502	M6x16	1			Flange screw
14	815131	M6	1			Flange nut
15	813869	ø 12x1.5 req, 1030mm	1			Pipe
16	812913	ø 12	2			Insert sleeve
17	814555	ø 12	2			Union nut
18	813223	ø 12	2			Ferrule
19	1407849		1			Pump
20	380501		1			Elbow union
21	329256	assy,	1			Hand pump
22	812543	M10x60	2			Flange screw
23	361802	L=29 mm	2			Spacer
24	815133	M10	2			Flange nut
25	139812		1			Elbow union
26	312833		1			Elbow union
27	1724765	139811	1			Drain tap
28	169729		1			Straight union
29	303455		1			Straight union
30	136073	(pump 329256)	1			Connector
	189571	(pump 1407849)	1			Connector
	1433641	1423608 See reference 1/5/2229				Magnetic plug



01-20-2116 Oil discharge, oil sump normal, D12A/M



113037

**01-20-2116 Oil discharge, oil sump normal, D12A/M**

Qty

A

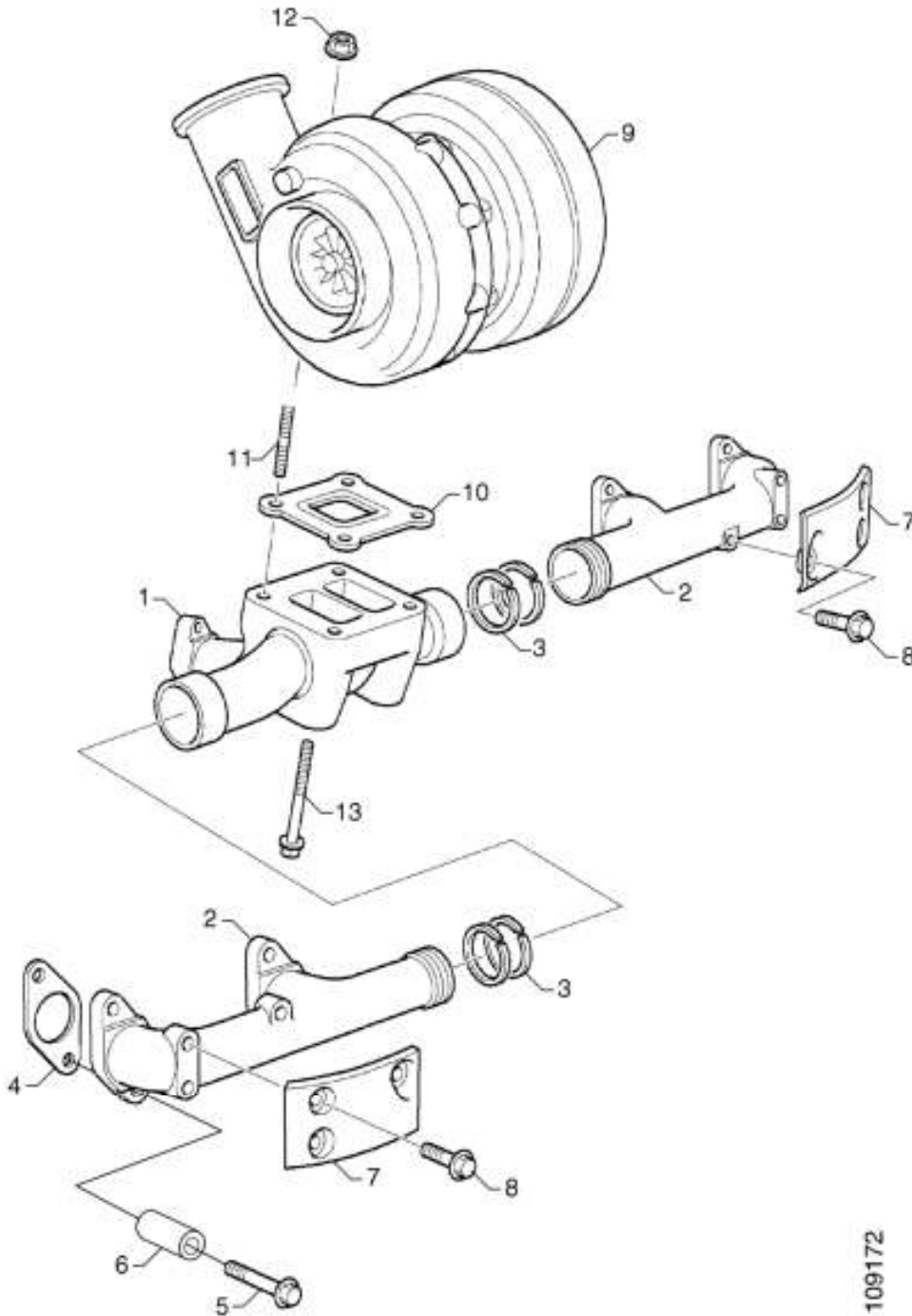
B RH

C LH

Pos.	Part no.	Remark	A	B	C	Description
1	1439814	24,2 x 4,2	1			Sealing washer
2	333773		1			Union
3	812929	M16x1,5k	1			Elbow union
4	814555	ø 12	2			Union nut
5	813223	ø 12	2			Ferrule
6	810458	ø 12x1,5 req. 456mm			1	Tube
7	814669	L=65mm			1	Bracket
8	1353484				1	Elbow union
9	810458	ø 12x1,5 req. 456mm			1	Tube
10	312195				1	Bracket
11	1353484				1	Elbow union
12	812502	M6x16	1			Flange screw
13	815131	M6	1			Flange nut
14	813936	ø 12mm	1			Clamp
15	813869	ø 12x1.5 req, 1030mm	1			Pipe
16	812913	ø 12	2			Insert sleeve
17	814555	ø 12	2			Union nut
18	813223	ø 12	2			Ferrule
19	1407849		1			Pump
20	380501		1			Elbow union
21	329256	assy,	1			Hand pump
22	812543	M10x60	2			Flange screw
23	361802	L=29 mm	2			Spacer
24	815133	M10	2			Flange nut
25	139812		1			Elbow union
26	312833		1			Elbow union
27	1724765	139811	1			Drain tap
28	169729		1			Straight union
29	303455		1			Straight union
30	136073	(pump 329256)	1			Connector
	189571	(pump 1407849)	1			Connector
	1433641	1423608 See reference 1/5/2229				Magnetic plug



01-25-0002 Exhaust manifold, DSC/DC12 A



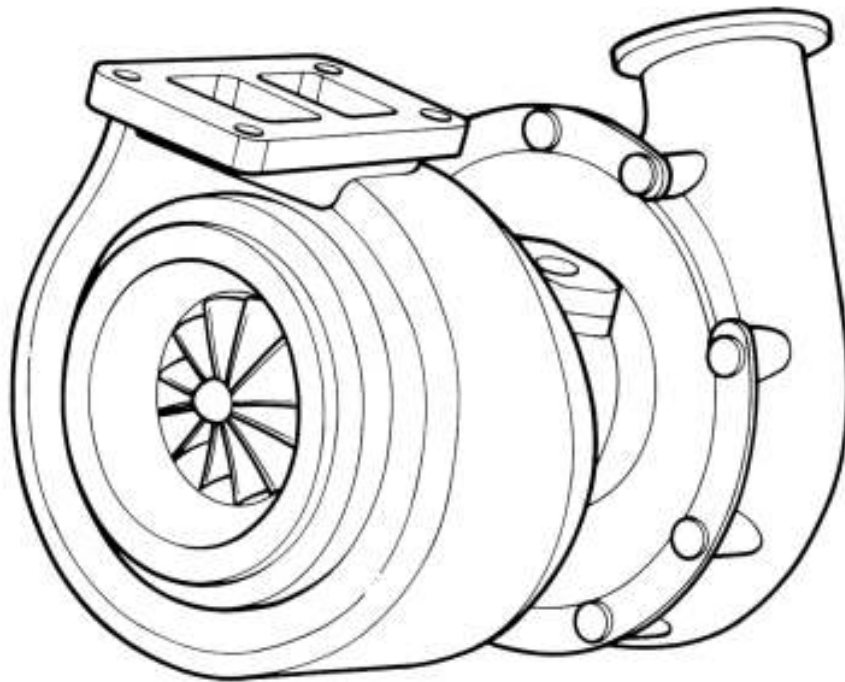
109172

**01-25-0002 Exhaust manifold, DSC/DC12 A**

Pos.	Part no.	Remark	A	Description
1	1853773	1470305	1	Turbo manifold
2	1866391	1729308	2	Exhaust manifold
3	1545478	1408455	4	Sealing ring
4	1309051		6	Gasket
5	1859636	EN 6519063- SSS	12	Flange screw
6	1372104	L=37 mm EN 6519063- SSS	1	•Spacing sleeve
7	1730292	With cooling package	1	Heat shield
8	812516	M8x20	3	Flange screw
9		See reference 1/30	1	Turbocharger
10	1364940	1404999	1	Gasket
11	1734958	M10x50	2	Stud
12	1387007	M10	2	Flange nut
13	1427831	1387006 M10x90	2	Flange screw
	1493164	L=52mm	2	Spacing sleeve



01-30-0004 Turbocharger,



250410

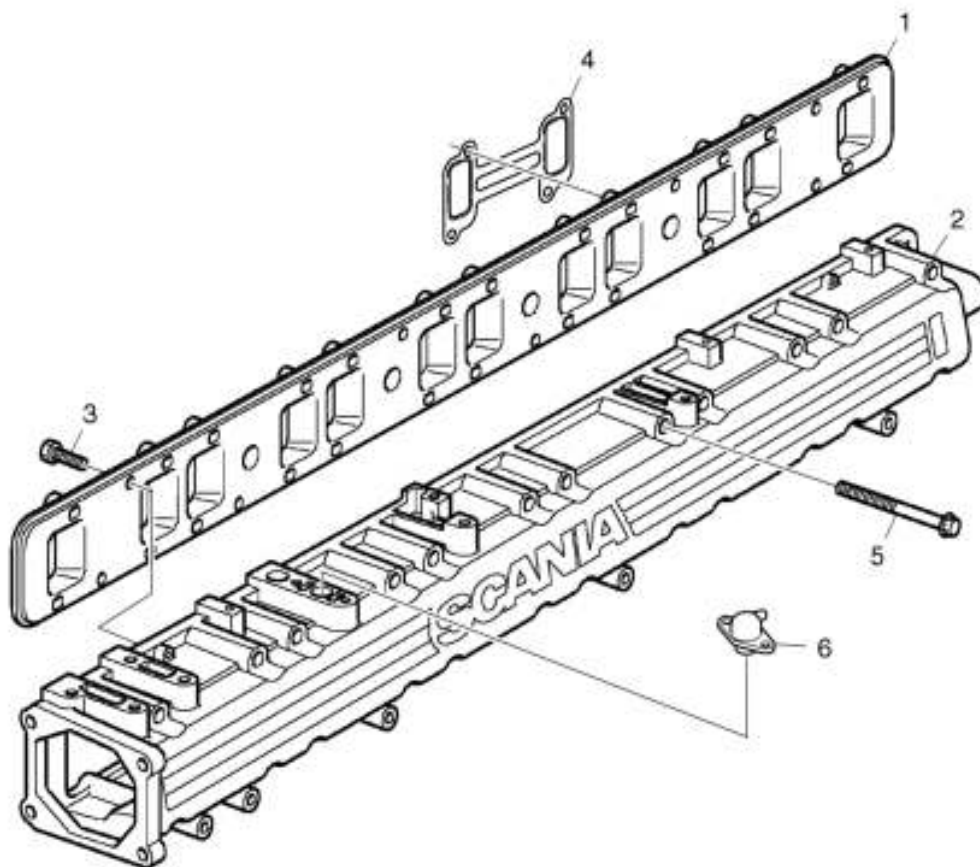


01-30-0004 Turbocharger,

Part no.	Remark	A	Description
1791773	DC12 59/60A	1	Turbocharger
551492	220492 ou, See reference 1/99/2020	1	Repair kit
			Turbocharger



01-40-0007 Intake manifold, DC12A EMS



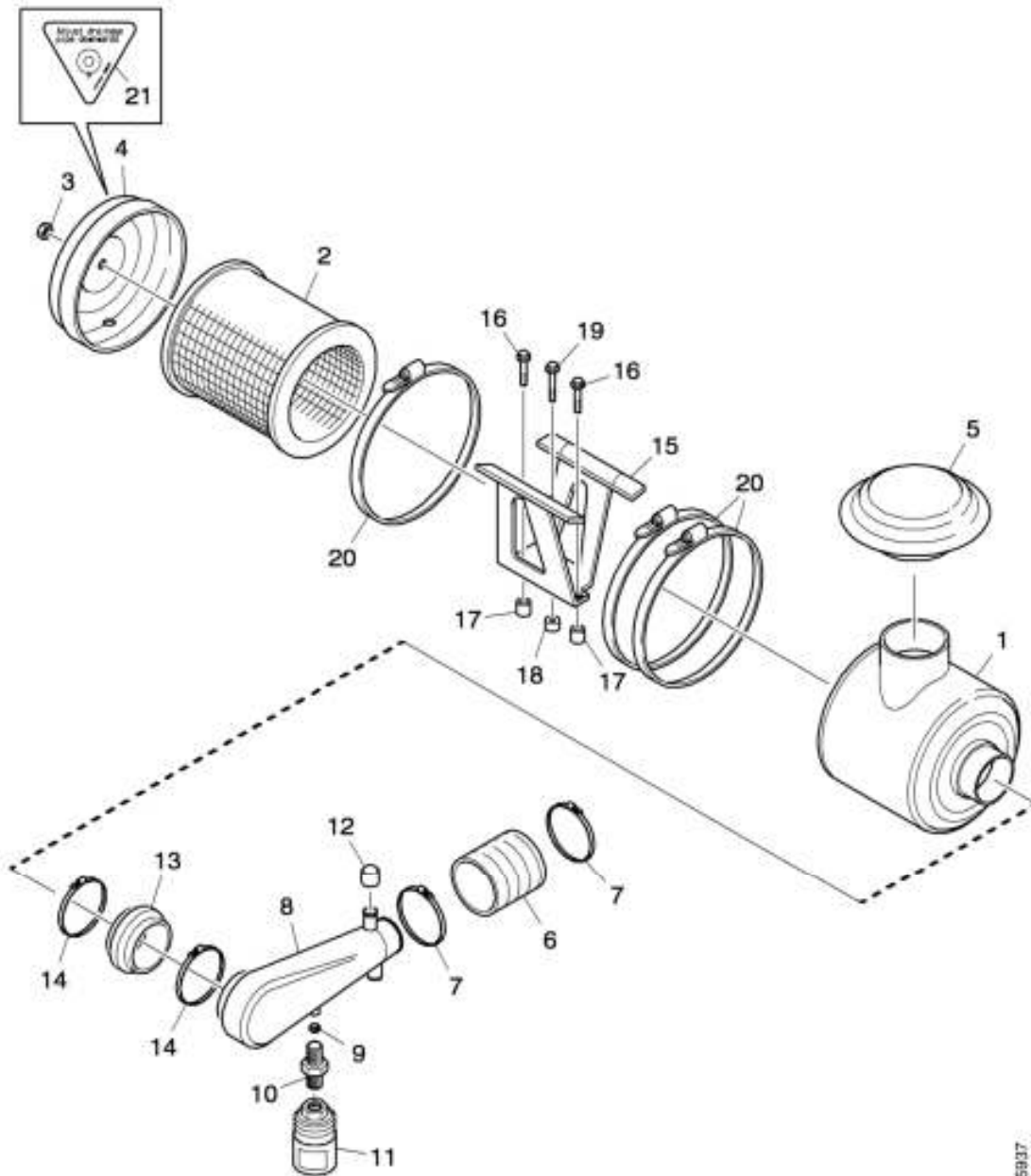
300841

**01-40-0007 Intake manifold, DC12A EMS**

Pos.	Part no.	Remark	A	Description
	1474817			Intake manifold
1		nss	1	•Intake manifold
2		nss	1	•Intake manifold
3	812991	M6x25	14	•Screw
4	1516474		6	Gasket
5	812531	M8x100	24	Flange screw
6		nss See reference 16/45/1200	1	Charge air pressure sensor



01-45-0023 Air cleaner, flywheel housing, 10,7 m²



305937

01-45-0023 Air cleaner, flywheel housing, 10,7 m²

Series no.

EN -6521118 SSS

Pos.	Part no.	Remark	A	Description
1	395771	assy , Light duty	1	Air cleaner
2	395773		1	•Air filter
3	1107083	M10	1	•Nut
4	1107026		1	•Cover
5	1367563	plastic	1	Protection cover
	1466090	ø 160-180	1	Hose clamp
6	1388473		1	Hose
7	1466085	ø 110-130	2	Hose clamp
8	1388471		1	Pipe
9	273783		1	Gasket
10	225679		1	Straight union
11	1451732		1	Pressure indicator
12	223649	ø 26,5 Open CCV	2	Plug
	1466101	816131 ø 23-35	2	Hose clamp
13	461769		1	Hose
14	1466089	ø 150-170	2	Hose clamp
15	1547736		1	Bracket
16	812537	M10x30	2	Flange screw
17	292063	L=10 mm	2	Spacer
18	343248		1	Spacer
19	812520	M8x35 EN 6513554- SSS	1	Flange screw
20	1370304		3	Hose clamp
21	1908150		1	Sticker



01-99-0051 General overhaul kit, D12A

No illustration intended for this section.



SCANIA

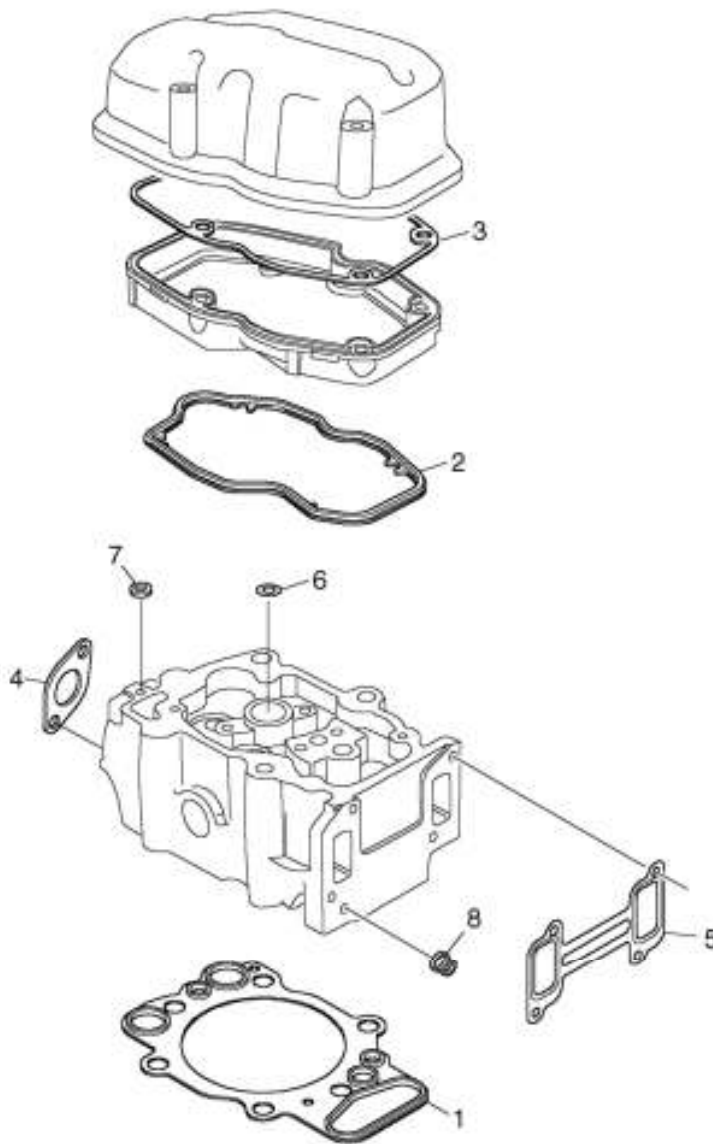


01-99-0051 General overhaul kit, D12A

Pos.	Part no.	A	Description
1	550394	1	General overhaul kit



01-99-0382 Gasket kit, cylinder head, D12A EMS



125138

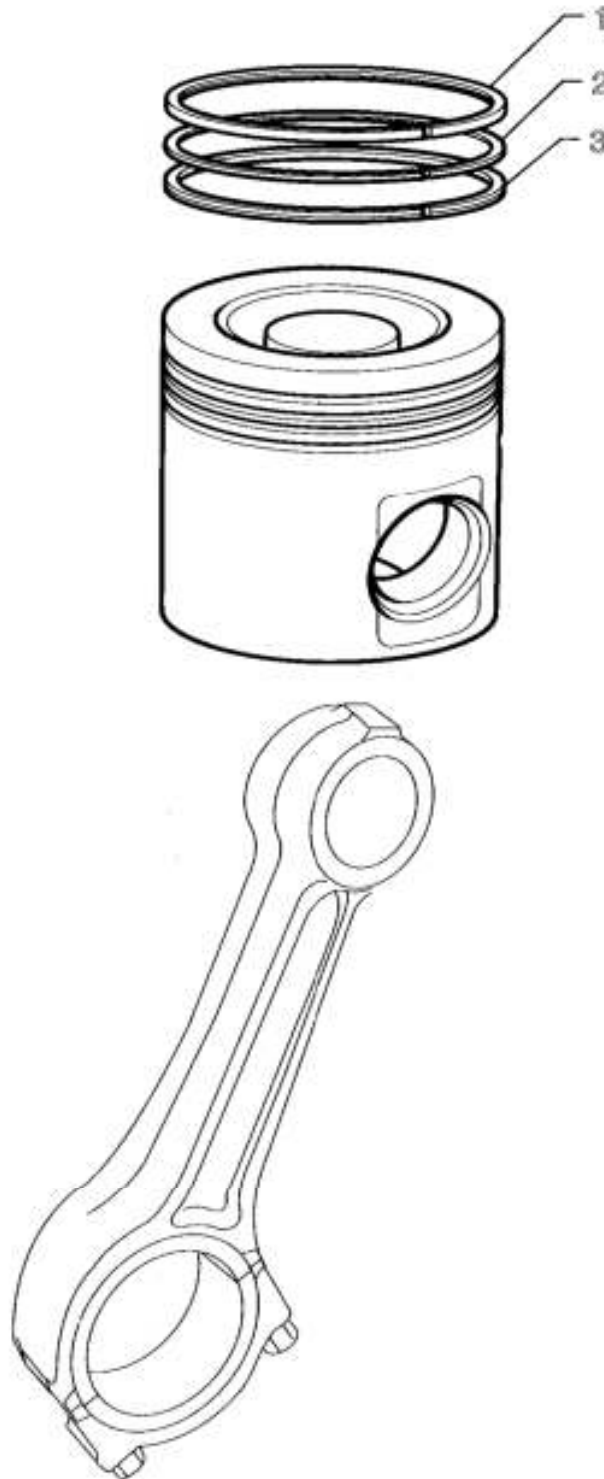


01-99-0382 Gasket kit, cylinder head, D12A EMS

Pos.	Part no.	Remark	A	Description
	550469		1	Gasket kit
				Cylinder head
1	1468555		1	•Cylinder head gasket
				Cylinder head
2	1542104	lo	1	•Rocker cover gasket
3	1411851	up	1	•Rocker cover gasket
4	1309051		1	•Gasket
				Exhaust manifold
5	1516474		1	•Gasket
				Intake manifold
6	1421424		1	•Gasket
				Injector
7	1735681		4	•Sealing washer
8	1368061		1	•Gasket



01-99-1395 Repair kit, piston ring, D12A/M



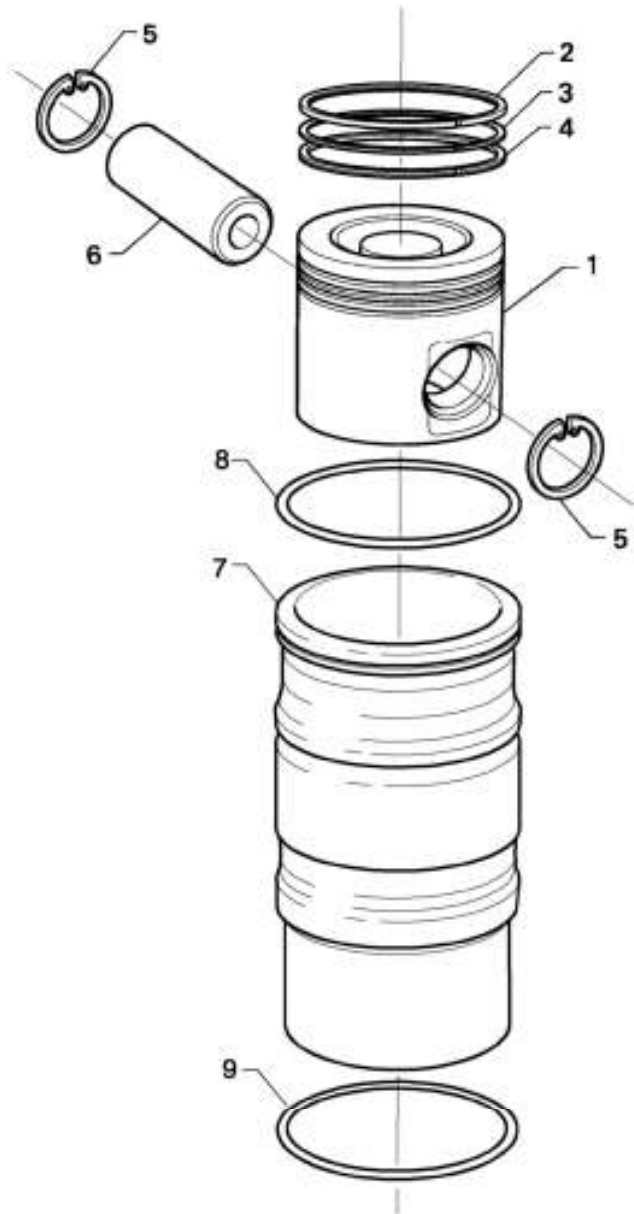
25941



01-99-1395 Repair kit, piston ring, D12A/M

Pos.	Part no.	Remark	A	Description
	550255		1	Piston ring kit
1	1739082	1424902	1	•Compression ring
2	247573	lo	1	•Compression ring
3	1449520	1304642	1	•Oil scraper ring

01-99-1703 Repair kit, piston and cylinder liner, DC12 45/52/53/54/59/60A, DI12 57M



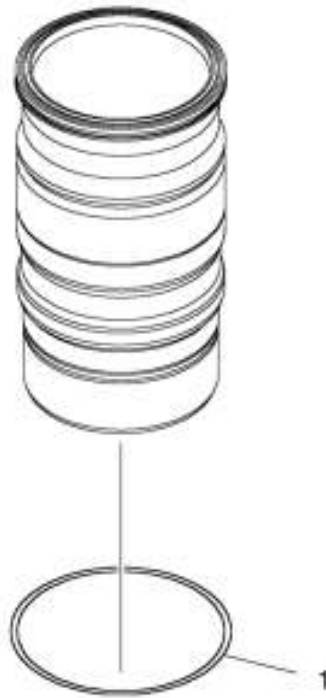
26344

01-99-1703 Repair kit, piston and cylinder liner, DC12 45/52/53/54/59/60A, DI12 57M

Series no. EN 6516123- SSS
 EN 8709880- SLA

Pos.	Part no.	Remark	A	Description
	1791653	1791652 DC12 52/53/59/60A	1	Repair kit
	1791653	DC12 45/54A, DI12 57M		Repair kit
				Piston and cylinder liner
1	1749014	assy DC12 52/53/59/60A	1	•Piston
1	1749014	1528397 assy DC12 45/54A, DI12 57M	1	•Piston
		nss		••Articulated piston
	550255		1	••Piston ring kit
2	1739082	1424902	1	•••Compression ring
3	247573	lo	1	•••Compression ring
4	1449520		1	•••Oil scraper ring
5	1305643		2	••Retaining ring
6	1305629		1	••Gudgeon pin
7	1868159	1786085	1	•Cylinder liner
8	1768938	ø 142.5x3.5 mm	1	•O-ring
9	1730424	ø 148.5x4 mm	1	•O-ring
	584084		rq	Grease

01-99-2533 Shim, cylinder liner, D12A/M



135713



01-99-2533 Shim, cylinder liner, D12A/M

Series no. EN 6516123- SSS
EN 8709880- SLA

Pos.	Part no.	Remark	Description
1	1866879	TH 0,2 mm	Shim
	1866880	TH 0,3 mm	Shim
	1866881	TH 0,4 mm	Shim



01-99-2020 Repair kit, outer, turbocharger, DC11, D12

No illustration intended for this section.

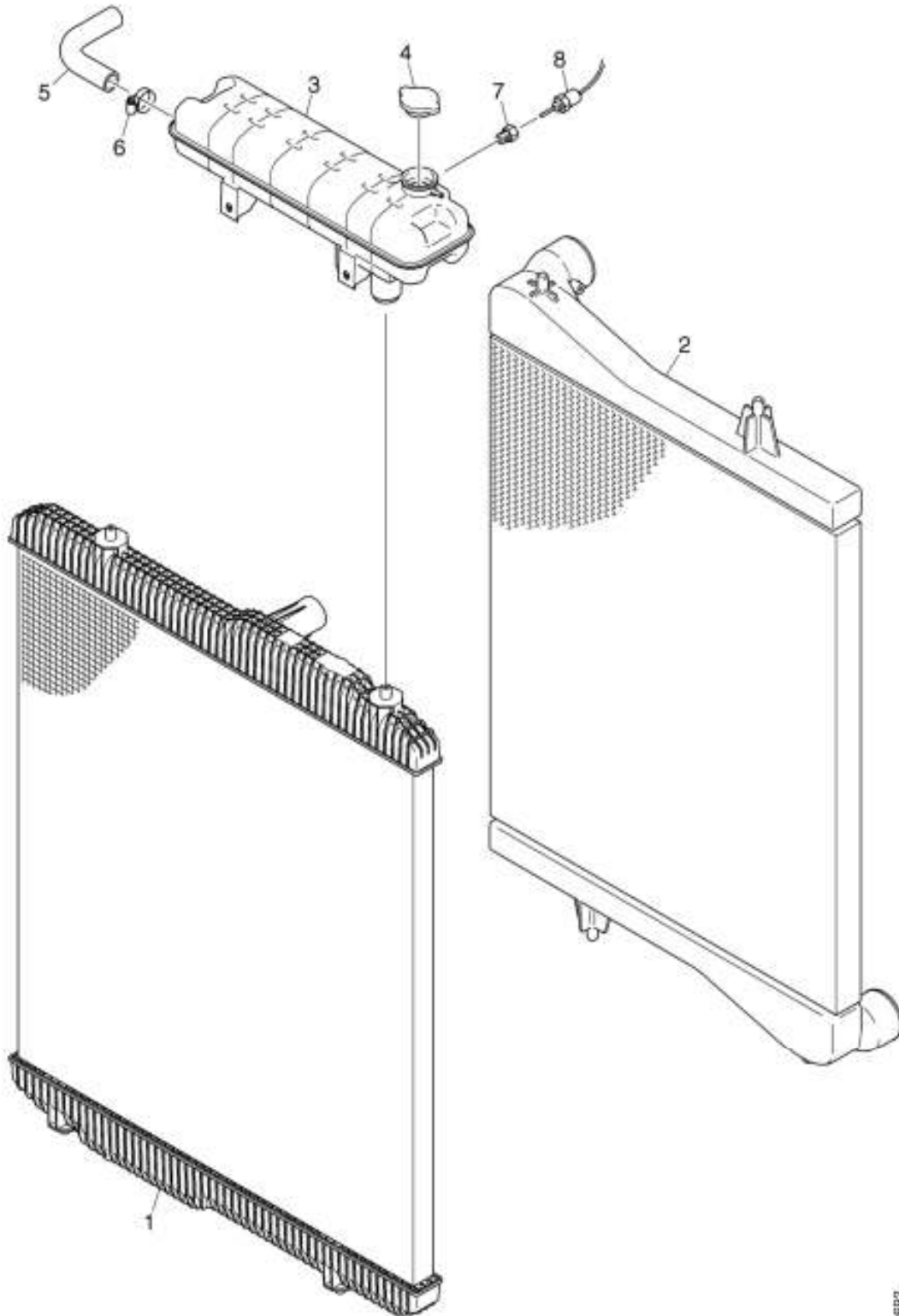


01-99-2020 Repair kit, outer, turbocharger, DC11, D12

Part no.	Remark	A	Description
551492	ou,	1	Repair kit
			Turbocharger
1471271		1	•Gasket
1511652	1489766	1	•Gasket
1801737	1393937	1	•Gasket
1117285		1	•Oil filter



02-01-0571 Cooling package, 1,3 m²



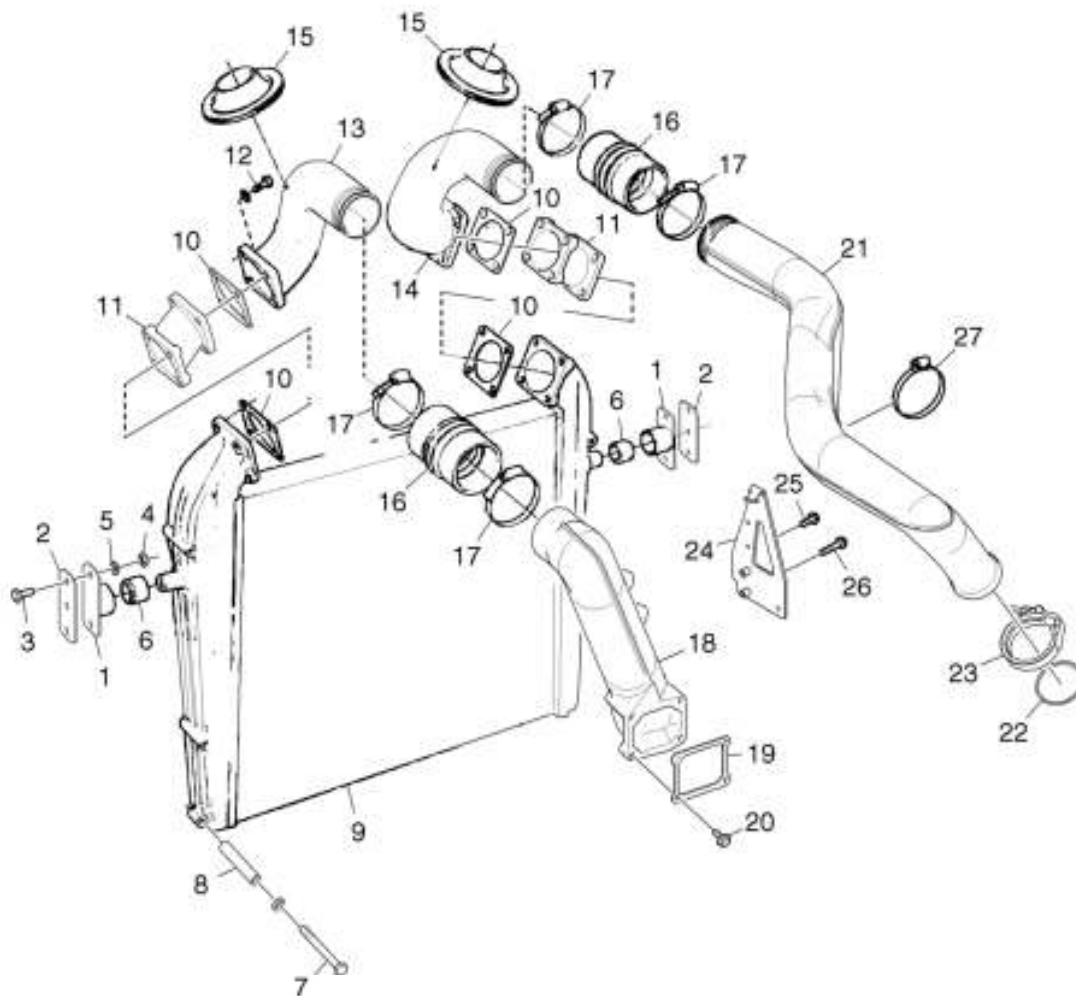
142882

**02-01-0571 Cooling package, 1,3 m²**

Pos.	Part no.	Remark	A	Description
	1720485	assy	1	Cooling package
1	1744770		1	•Radiator
2	1744769		1	•Charge air cooler
3	1529745		1	•Expansion tank
4	1744768		1	•Pressure cap
5	1529746		1	•Hose
6	1466076	ø 30-45	1	Hose clamp
7	1527334		1	Union
8	1777267		1	Sensor



02-05-0299 Charge air cooler, DSC/DC12 A, Fan ø912mm



153R02

02-05-0299 Charge air cooler, DSC/DC12 A, Fan ø912mm

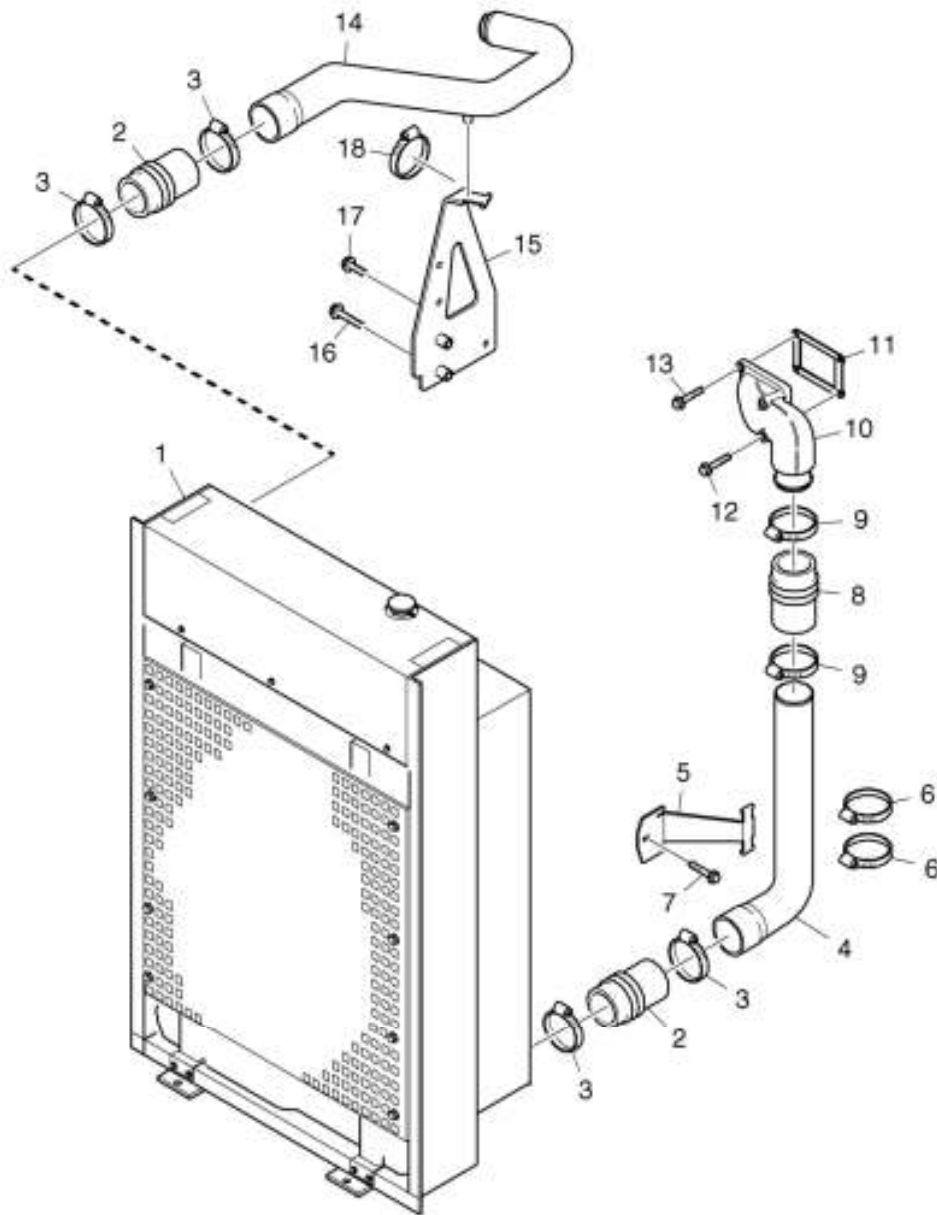
Footnote Fan with diameter 912 mm

Series no. EN 6517779- SSS

Pos.	Part no.	Remark	A	Description
1	397137		2	Bracket
2	397138		2	Bracket
3	812516	M8x20	4	Flange screw
4	815132	M8	4	Flange nut
5	134935		rq	Spring washer
6	300296		2	Bush
7	812531	M8x100	2	Flange screw
8	1114848		2	Spacing sleeve
9	1370293	1.2 m ²	1	Charge air cooler
10	1332128		4	Gasket
11	1363397		2	Flange pipe
12	812520	M8x35	16	Flange screw
	815132	M8	8	Flange nut
13	1850749	LH	1	Flange pipe
14	1850750	RH	1	Flange pipe
15	367671		2	Sealing ring
16	1527470		2	Hose
17	1527868		rq	Hose clamp
18	1850751		1	Flange pipe
19	1374342		1	Gasket
20	812519	M8x30	4	Flange screw
21	1853976	1439548	1	Charge air pipe
21	1854039	DC12 59/60A	1	Charge air pipe
22	1331820	64.5x3	1	O-ring
23	1439822		1	V-clamp
24	1846295		1	Bracket
25	812518	M8x25	1	Flange screw
26	812521	M8x40	2	Flange screw
27	1527869		1	Hose clamp



02-05-0634 Charge air cooler, DC12, 1.3 m²



153805

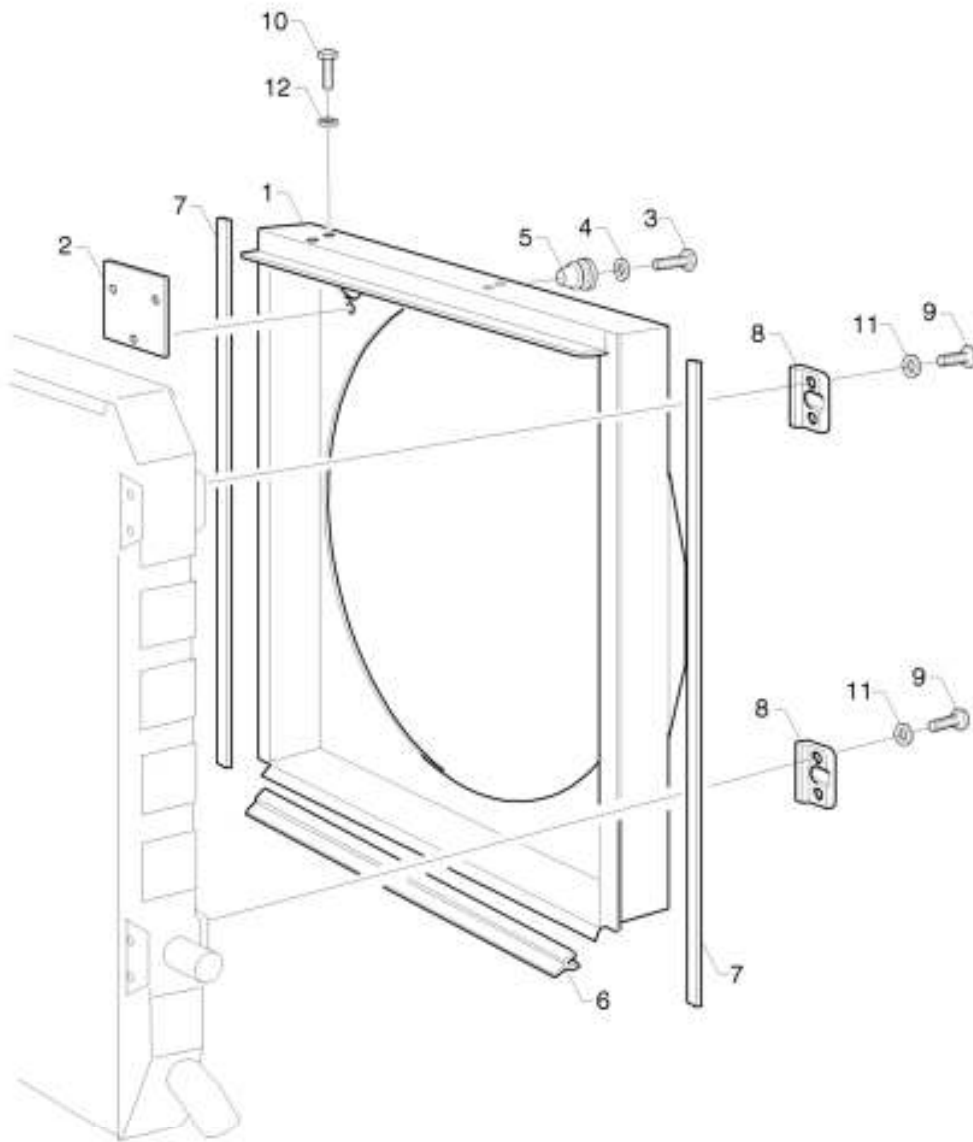
02-05-0634 Charge air cooler, DC12, 1.3 m²
Series no.

EN 6517779- SSS

Pos.	Part no.	Remark	A	Description
1		See reference 2/1/571	1	Cooling package
2	1503691		2	Hose
3	1495780		4	Hose clamp
4	1543590		1	Charge air cooler pipe
5	1548882		1	Bracket
6	1466082	ø 80-100	2	Hose clamp
7	812515	M8x16	1	Flange screw
8	488368		1	Hose
9	1527869		2	Hose clamp
10	1543589		1	Flange pipe
11	1374342		1	Gasket
12	816063	M8x110	2	Flange screw
13	812519	M8x30	2	Flange screw
14	1855351		1	Charge air pipe
15	1846295		1	Bracket
16	812521	M8x40	2	Flange screw
17	812518	M8x25	1	Flange screw
18	1527869		1	Hose clamp



02-10-0327 Fan cover, Fan ϕ 912



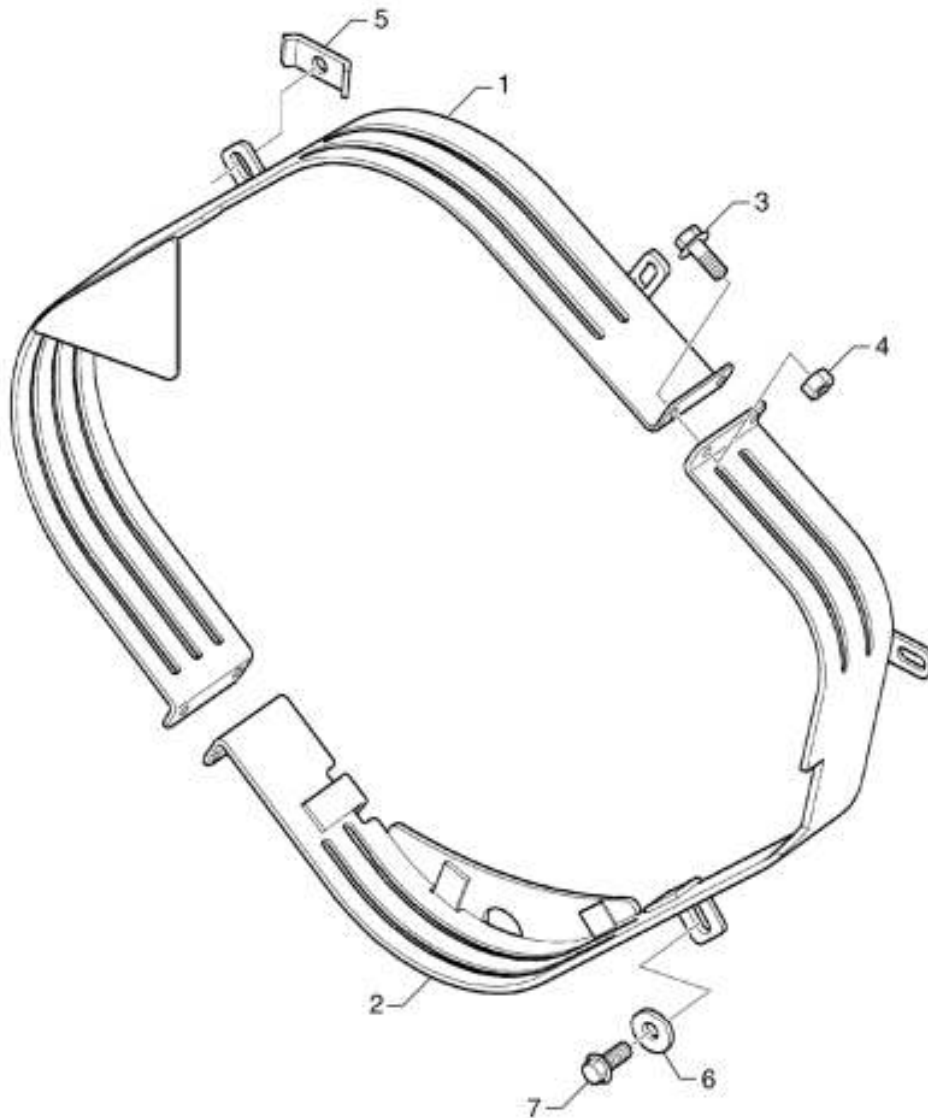
109006

**02-10-0327 Fan cover, Fan ø 912**

Pos.	Part no.	Remark	A	Description
1	1363398	1,2m ²	1	Fan cover
	1371831	1,0m ²	1	Fan cover
	1726073	1,2m ² Latin America produced vehicles.	1	Fan cover
2	1117050	DSI	2	Cover washer
3	815165	torx4,2x9,5	6	Screw
4	802994	5.3x10	6	Washer
5	302258		6	Seal
6	1364517	1.2m ²	1	Sealing strip
	329906	303641 L=844mm 1.0m ²	1	Sealing strip
7	351597	L=1000mm	2	Sealing strip
8	298820		4	Bracket
9	808291	M8x12	8	Hexagon screw
10	812514	M8x14	3	Flange screw
11	802998	8.4x16x1.6	8	Washer
12	134935		3	Spring washer



02-10-1324 Protective casing, belt transmission,



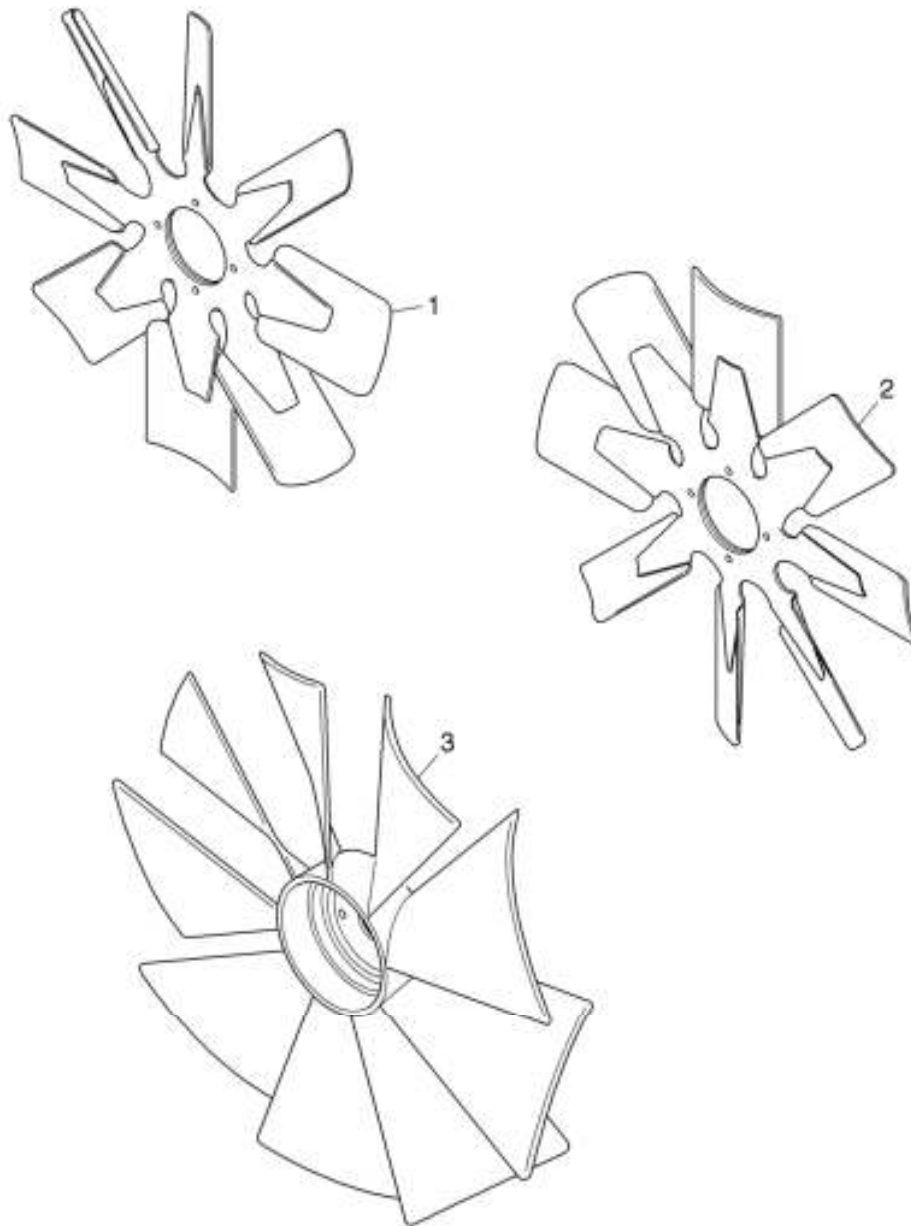
109320

**02-10-1324 Protective casing, belt transmission,**

Pos.	Part no.	Remark	A	Description
1	1724842		1	Protection
	1477395	Latin America produced vehicles.	1	Protective casing
	1523180	Alternator left side high Latin America produced vehicles.	1	Protective casing
	1523181	Alternator left side high Latin America produced vehicles.	1	Protective casing
2	1795484	1724843	1	Belt guard
	1477396	Latin America produced vehicles.	1	Protective casing
3	812501	M6x14	4	Screw
4	815131	M6	4	Flange nut
5	1393105		3	Bracket
6	1103947		2	Washer
7	812500	M6x12	5	Flange screw



02-10-0657 Fan, D12A



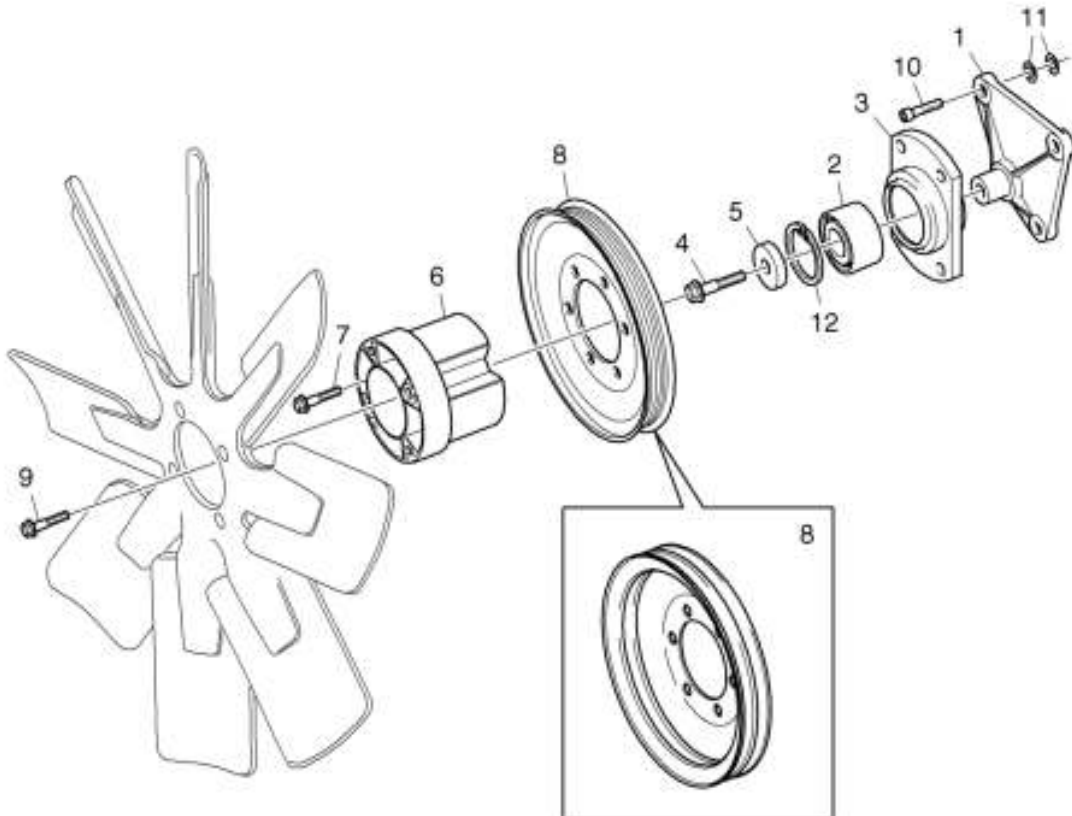
134443



02-10-0657 Fan, D12A

Pos.	Part no.	Remark	A	Description
				Puller fan
		8 blades		Aluminium
				Pusher fan
		8 blades		Aluminium
				Pusher fan
		9 blades		Plastic
3	1548515	ø 912mm	1	Fan

02-10-1873 Fan, with fitting parts, D12A

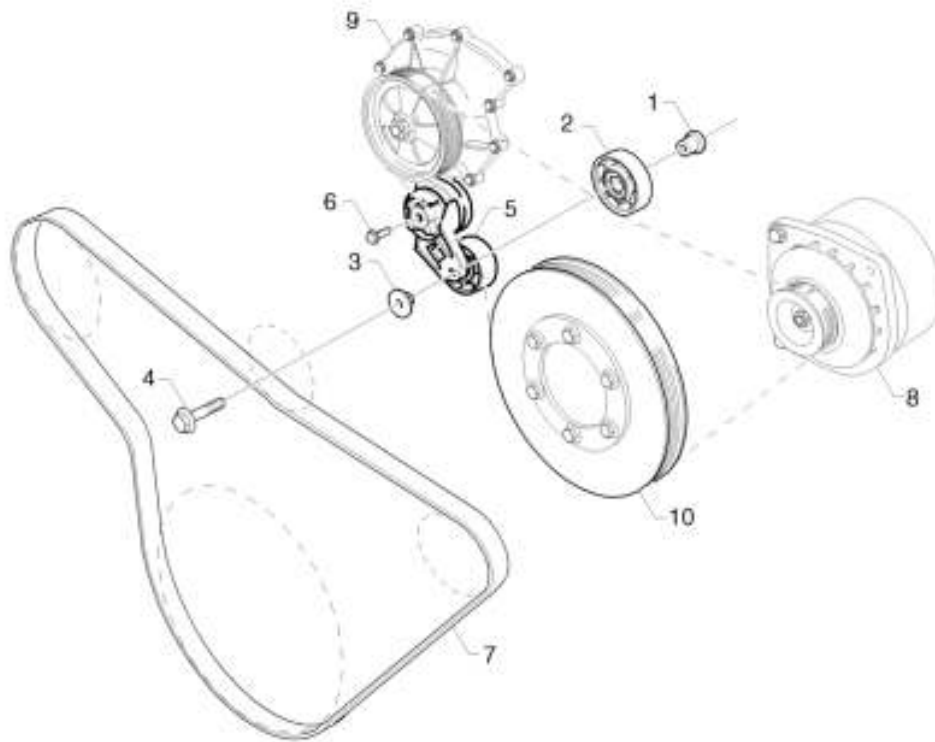


**02-10-1873 Fan, with fitting parts, D12A**

Pos.	Part no.	Remark	A	Description
	1889276	1859293	1	Fan bearing
1		nsp	1	•Bearing bracket
2	345595		1	•Ball bearing
3	1537337	1363543	1	•Driver
4	815054	M12x60	1	•Flange screw
5	364651		1	•Washer
6	1407258	L=116 mm	1	Spacer
	1407257	L=96 mm alt	1	Spacer
7	815057	M12x80	4	Flange screw
	815054	M12x60 alt	4	Flange screw
8	1743665	1383554 ø260 fan ratio 1:0.8	1	Pulley
	1380166	2-grooves XPA, ø 260 fan ratio 1:1	1	Pulley
		See reference 2/10/657		Fan
9	1539116	815487	4	Thread forming screw
10	809850	M12x55	3	Screw
11	807327	13x24	6	Washer
12	804834		1	Retaining ring



02-10-0887 Belt transmission, coolant pump, D12A, Alternator low position



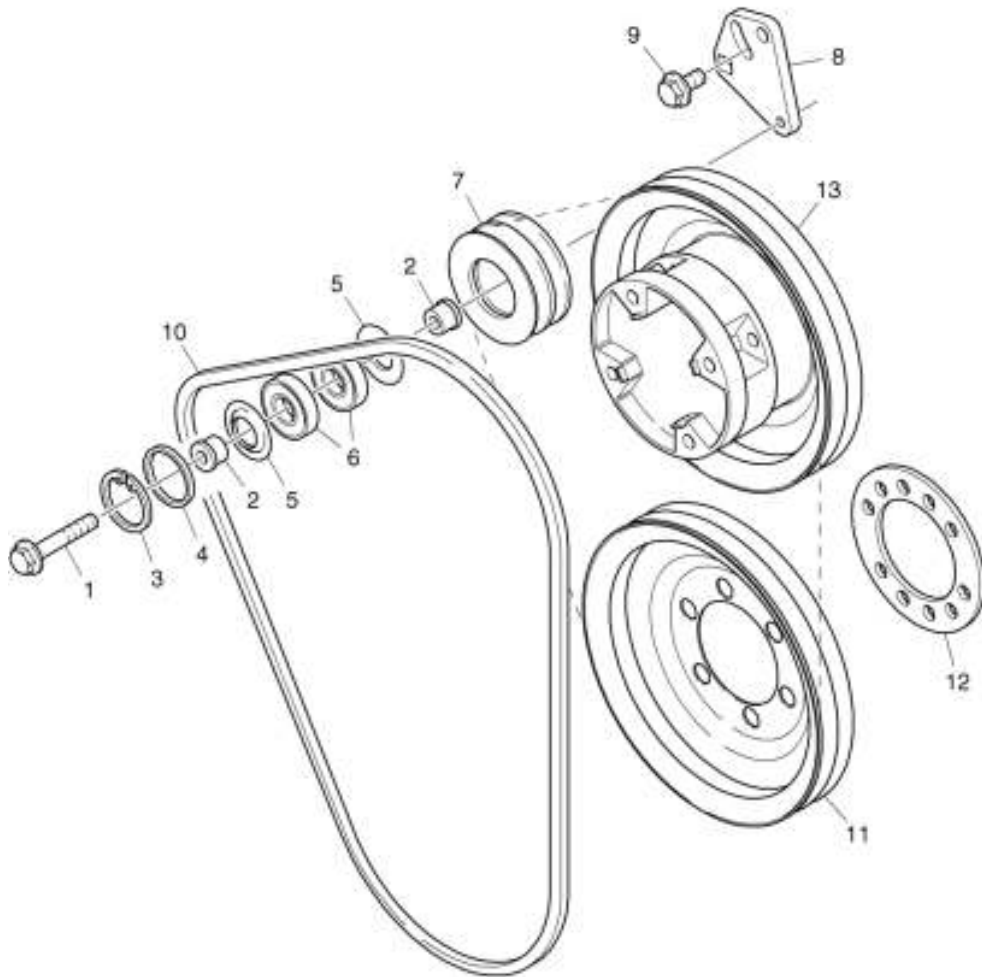
109110

02-10-0887 Belt transmission, coolant pump, D12A, Alternator low position

Pos.	Part no.	Remark	A	Description
1	1395046		1	Spacing sleeve
2	1383564		1	Roller
3	1384024		1	Washer
4	812541	M10x50	1	Flange screw
5	1859654	1774651	1	Belt tensioner
6	812547	M10x80	1	Flange screw
7	1800546	1530990 L=1700	1	Poly-V-belt
	1798592	JCB branded L=1700	1	Poly-V-belt
8		See reference 16/5		Alternator
9		See reference 2/25		Coolant pump
10		See reference 1/10		Crankshaft damper



02-10-0896 Belt transmission, fan, Fan ratio 1:1, Twin belt transmission



147296

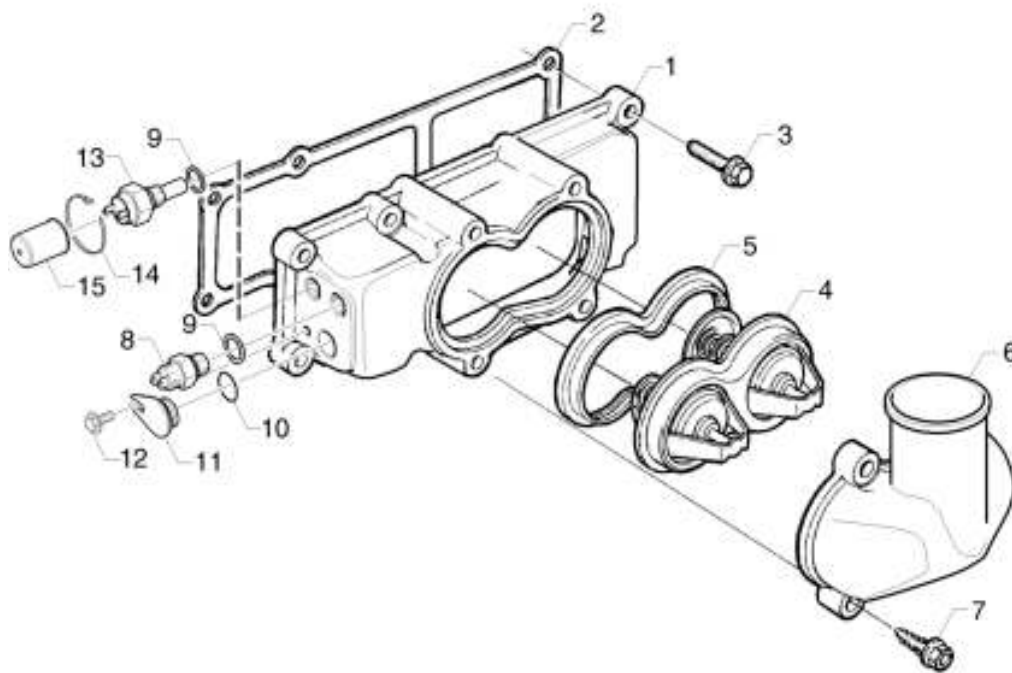
**02-10-0896 Belt transmission, fan, Fan ratio 1:1, Twin belt transmission**

Series no. EN 8711840- SLA
 EN 6515433- SSS

Pos.	Part no.	Remark	A	Description
	1797651	Assy	1	Belt tensioner
1	812541	M10x50	1	•Flange screw
2	1420543		2	•Spacer
3	194474		1	•Snap ring
4	1313763		1	•Spacing ring
5	1313764		2	•Protective plate
6	1103031		2	•Ball bearing
7	1447063		1	•Roller
8	1795925		1	•Bracket
9	812536	M10x25	2	Flange screw
10	1545499	L=1475 fan ratio 1:1	2	V-belt
11	1380166	2-grooves XPA, ø 260 See reference 1/10	1	Pulley
12	1421288	TH=3	1	Spacer
13		See reference 2/10/1873		Pulley
				Fan



02-15-0312 Thermostat housing, D12



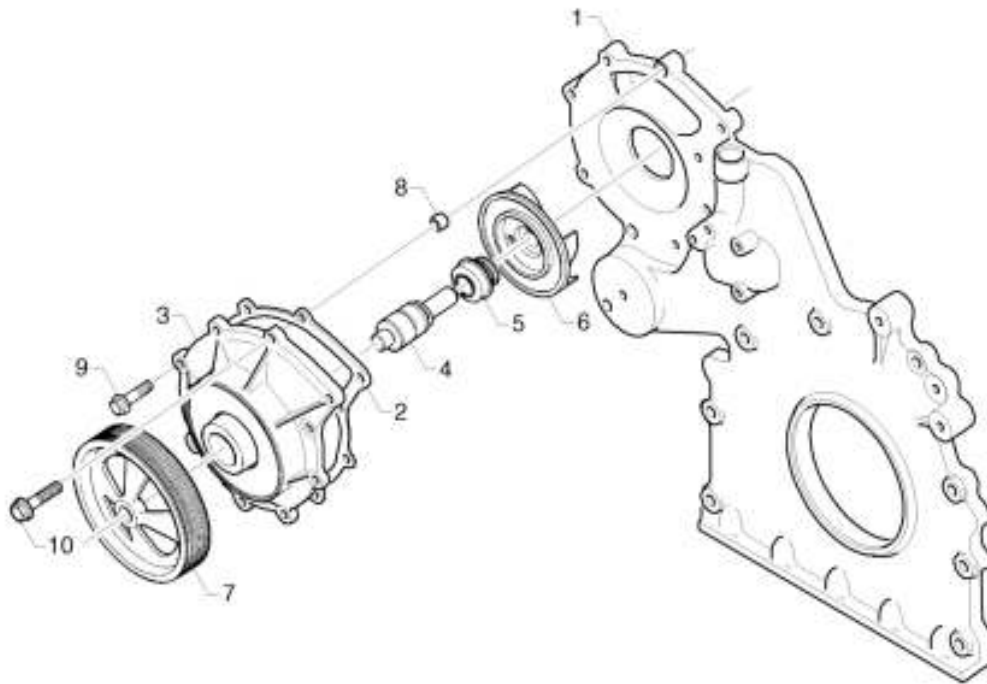
114633

02-15-0312 Thermostat housing, D12

Pos.	Part no.	Remark	A	Description
1	1383683		1	Thermostat housing
1	1424285	EN 5997318- SSS		Thermostat housing
2	1384005		1	Gasket
3	812519	M8x30	6	Flange screw
4	1431979	75°C EN 5997350- SSS	1	Thermostat
5	1421825	1358996	1	Gasket
6	1431980	1380442	1	Thermostat housing cover
7	812519	M8x30	4	Flange screw
8	1116951	2-pol	1	Temperature sensor
9	1373792	K	2	Sealing washer
10	393187	11.3x2.4 alt	1	O-ring
11	1437749	alt	1	Plug
12	812500	M6x12 alt	1	Flange screw
13	1118009	93°	1	Temperature monitor
	1118010	98°C	1	Temperature monitor
	1118011	105°	1	Temperature monitor
	1523247	103°	1	Temperature monitor
14	815363	L=380x7,6	1	Cable tie
15	271661		1	Protective casing
		See reference 1/99		General overhaul kit



02-25-0123 Coolant pump, D12A



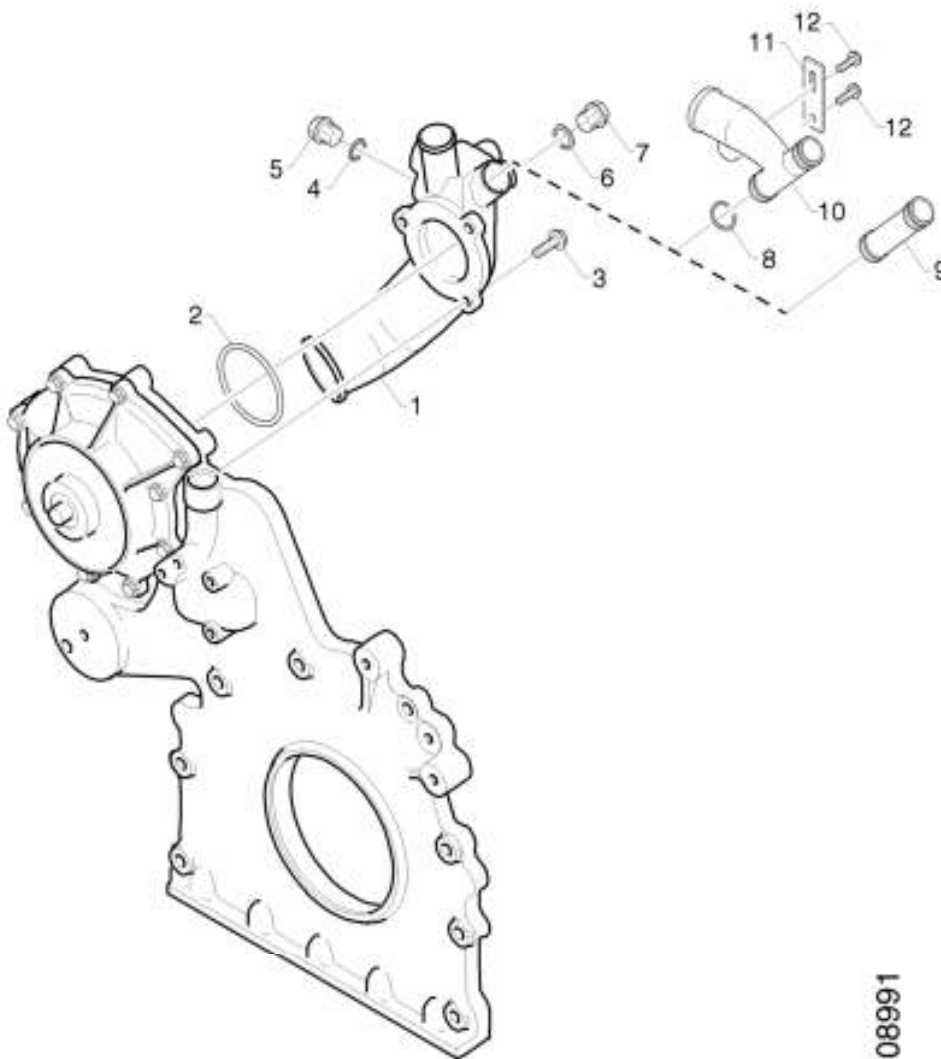
108973

**02-25-0123 Coolant pump, D12A**

Pos.	Part no.	Remark	A	Description
1	1516037	1399322	1	Casing
2	1541633	K 1374344	1	Gasket
	1508533	X 1353072	1	Coolant pump
	570955	Exchange unit. See paper edition dated 12.2002 and earlier.	1	Coolant pump
3		nss	1	•Pump cover
4	1382541		1	•Bearing
5	1435069	Only valid for coolant pump 1508533EN 6174481- SSS	1	•Sealing ring
5	1435069	Only valid for coolant pump 1508533EN 8017698- SLA	1	•Sealing ring
5	1338040	Only valid for coolant pump 1353072EN -8017697 SLA	1	Sealing ring
6		nss	1	•Impeller
7	1781673	1413135	1	•Pulley
8		nss	2	•Guide sleeve
9	812519	M8x30	7	Flange screw
10	812521	M8x40	2	Flange screw
		See reference 2/99		Repair kit
		See reference 1/99		General overhaul kit



02-25-0132 Coolant pump, mounting, D12A



108991

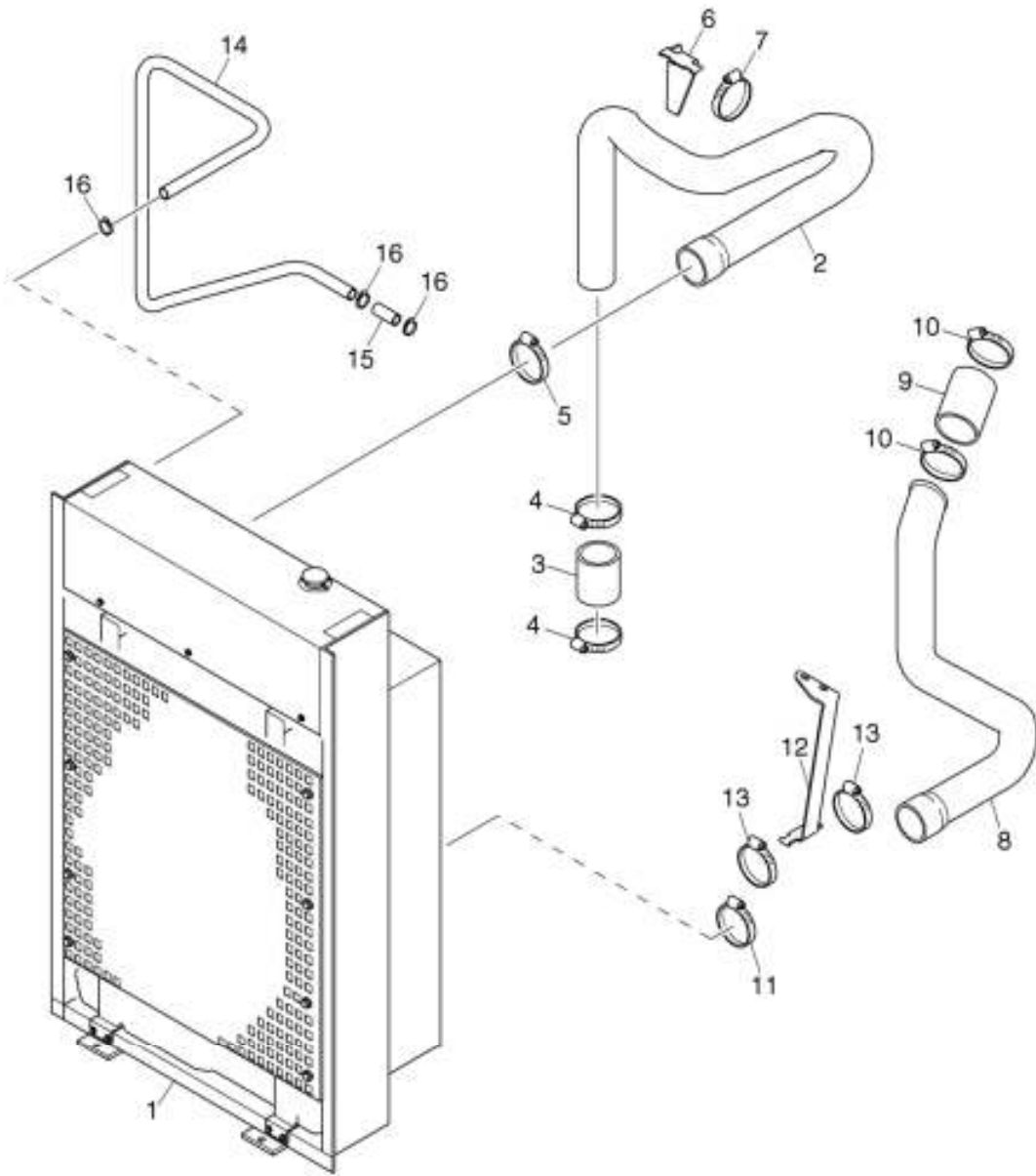
02-25-0132 Coolant pump, mounting, D12A
Series no.

EN 6517626- SSS

Pos.	Part no.	Remark	A	Description
1	1424286		1	Flange pipe
2	810981	69,2x5,7	1	O-ring
3	812520	M8x35	3	Flange screw
4	1374839		1	Sealing washer
5	812376	M22x1.5x9	1	Screw plug
6	812416	18.2x21.9	1	Gasket
7	812374	M18x1.5x9	1	Screw plug
8	810970	32.2x3	2	O-ring
9	1423869		1	Pipe
10	1497106		1	Pipe
	1424244		1	Spacing ring
11	1319612		1	Bracket
12	812501	M6x14	2	Screw



02-30-0981 Pipes and hoses, D12, 1.3 m²



134496

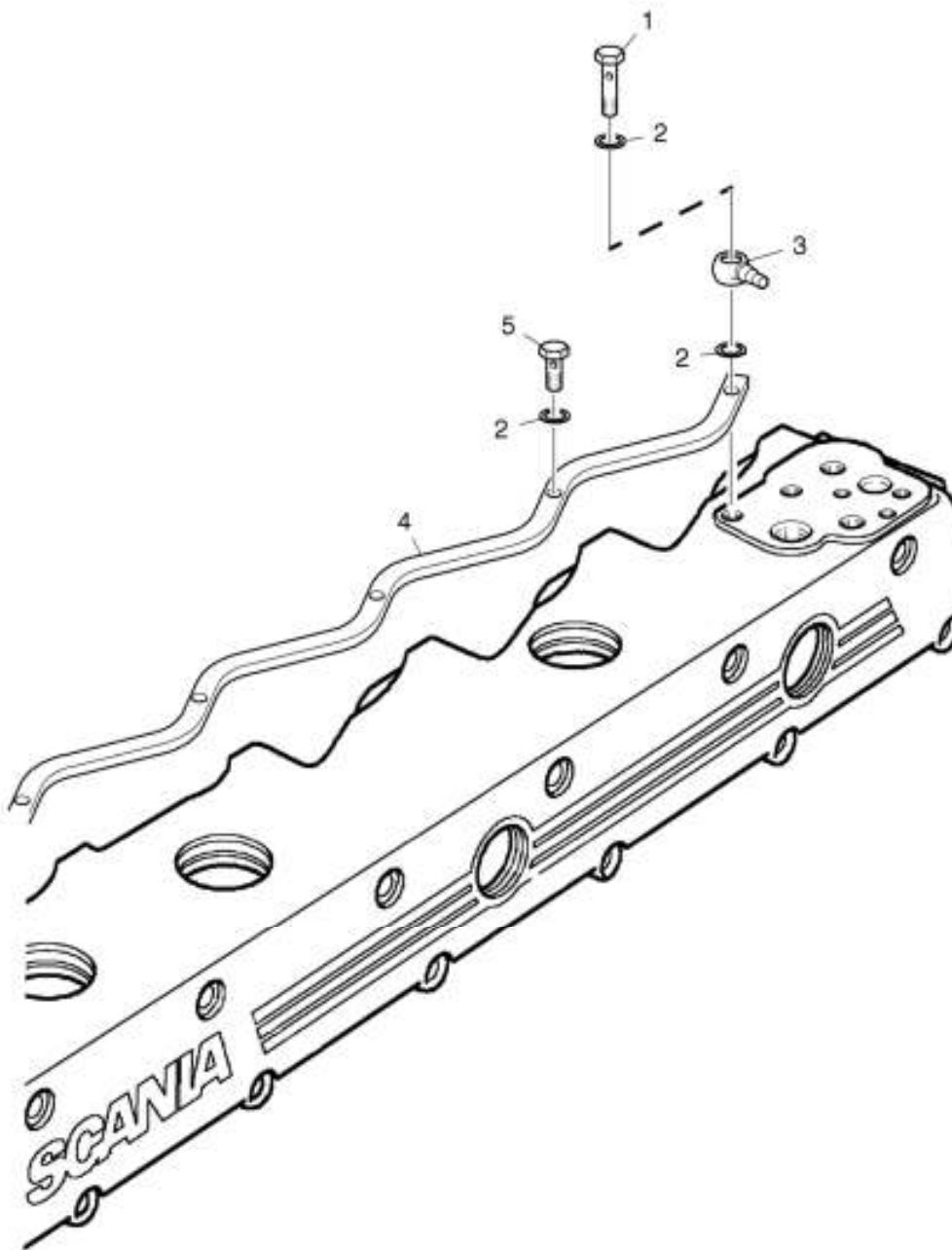
02-30-0981 Pipes and hoses, D12, 1.3 m²

Series no.

EN 6510006- SSS

Pos.	Part no.	Remark	A	Description
1	1720485		1	Cooling package
2	1543592		1	Coolant pipe
3	1375602		1	Hose
4	1466079	816115 ϕ 50-72	2	Hose clamp
5	1466081	816117 ϕ 70-90	1	Hose clamp
6	1548883		1	Bracket
	812515	M8x16	2	Flange screw
7	1466079	816115 ϕ 50-72	2	Hose clamp
8	1543593		1	Coolant pipe
9	297394		1	Hose
10	1466079	816115 ϕ 50-72	2	Hose clamp
11	1466081	816117 ϕ 70-90	1	Hose clamp
12	1548881		1	Bracket
13	1466079	816115 ϕ 50-72	2	Hose clamp
14	1545686		1	Static line pipe
15	290864		1	Hose
16	1466076	816112 ϕ 30-45	3	Hose clamp

02-30-0016 Bleed pipe, D12A



147B21

**02-30-0016 Bleed pipe, D12A**

Pos.	Part no.	Remark	A	Description
1	17384		1	Banjo screw
2	1478427		13	Seal
3	1353824		1	Banjo union
3	1785989		1	Banjo union
	1466072	816108 ø 8-16	1	Hose clamp
4	1342652		1	Tube
5	17146		5	Banjo screw



02-99-0122 Repair kit, coolant pump, D11/12, DSC12, DC11

No illustration intended for this section.

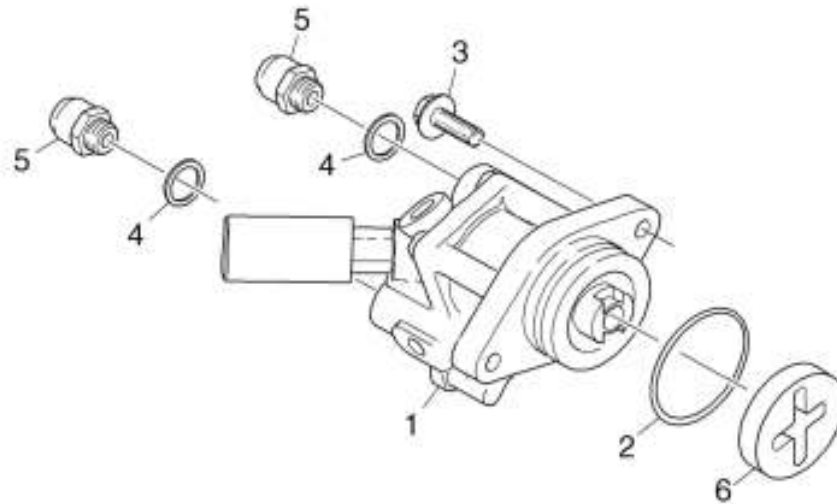


02-99-0122 Repair kit, coolant pump, D11/12, DSC12, DC11

Series no. EN 6174481- SSS
EN 8017698- SLA

Part no.	Remark	A	Description
552127	552107	1	Repair kit
1541633	1374344	1	•Gasket
1374517		1	•Gasket
1382541		1	•Bearing
1403883		1	•Gasket
1435069		1	•Sealing ring

03-01-4488 Feed pump, D12A EMS

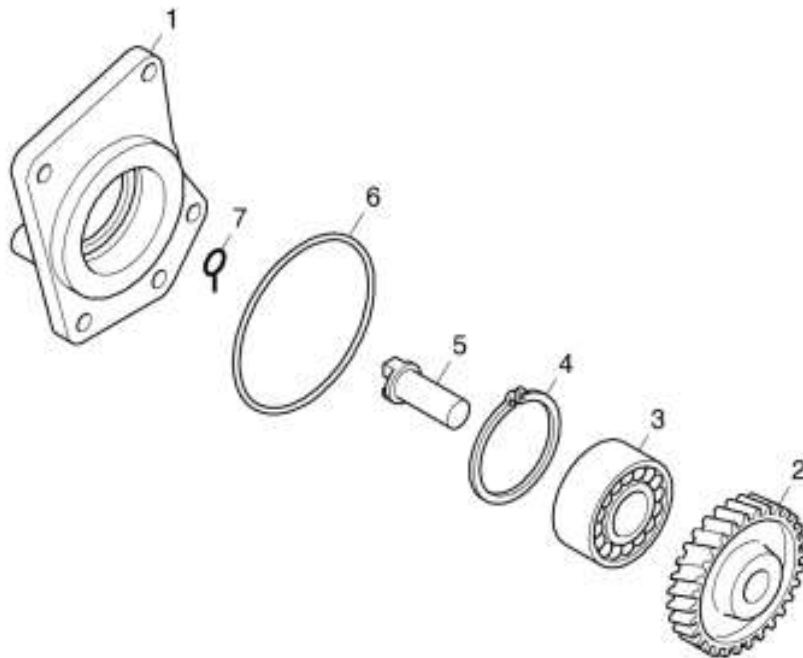


**03-01-4488 Feed pump, D12A EMS**

Pos.	Part no.	Remark	A	Description
1	1539298	1422449 assy	1	Feed pump
	1427670		1	•Hand pump
2	804670	44.2x3	1	O-ring
3	809810	M8x30	2	Hexagon socket screw
	802998	8.4x16x1.6	2	Washer
4	1373793		2	Sealing washer
5	1722417	1386677	2	Insert connection
6	1745730	1378001	1	Coupling sleeve



03-01-4489 Feed pump, drive, D12A EMS



145119

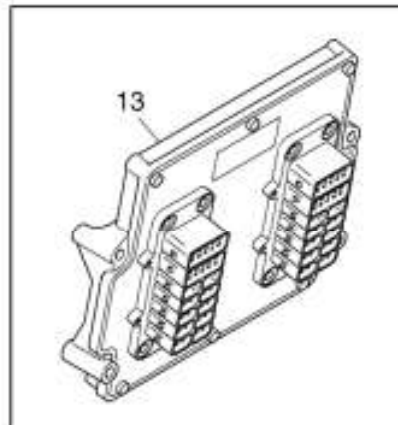
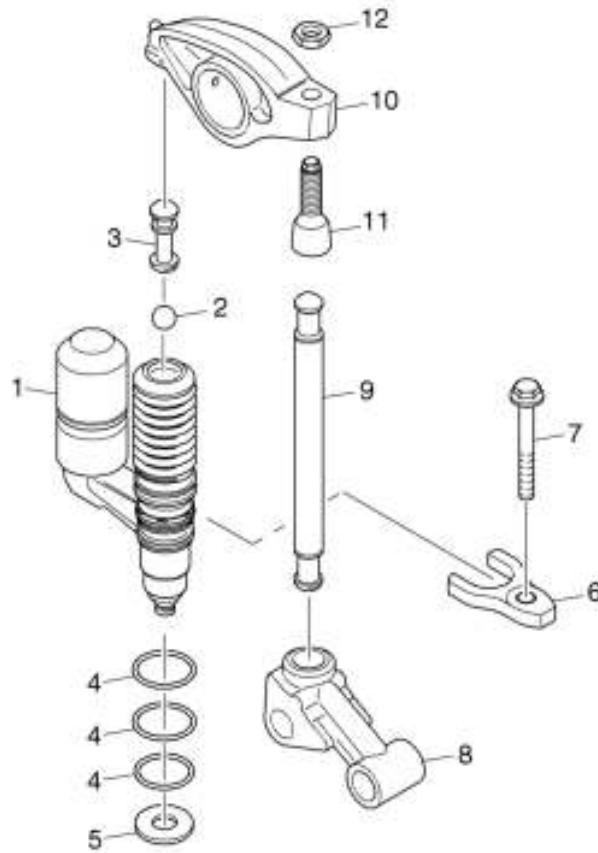
**03-01-4489 Feed pump, drive, D12A EMS**

Footnote When there is no compressor.

Pos.	Part no.	Remark	A	Description
1	1386215		1	Flange
2	1365857		1	Gear
3	1314088		1	Ball bearing
4	804829		1	Retaining ring
5	1365856		1	Shaft
6	323790	362128 ϕ 114,5x3	1	O-ring
7	1871043	1376911	1	O-ring



03-01-1641 Unit injector, DC12 52/53/56/59/60A

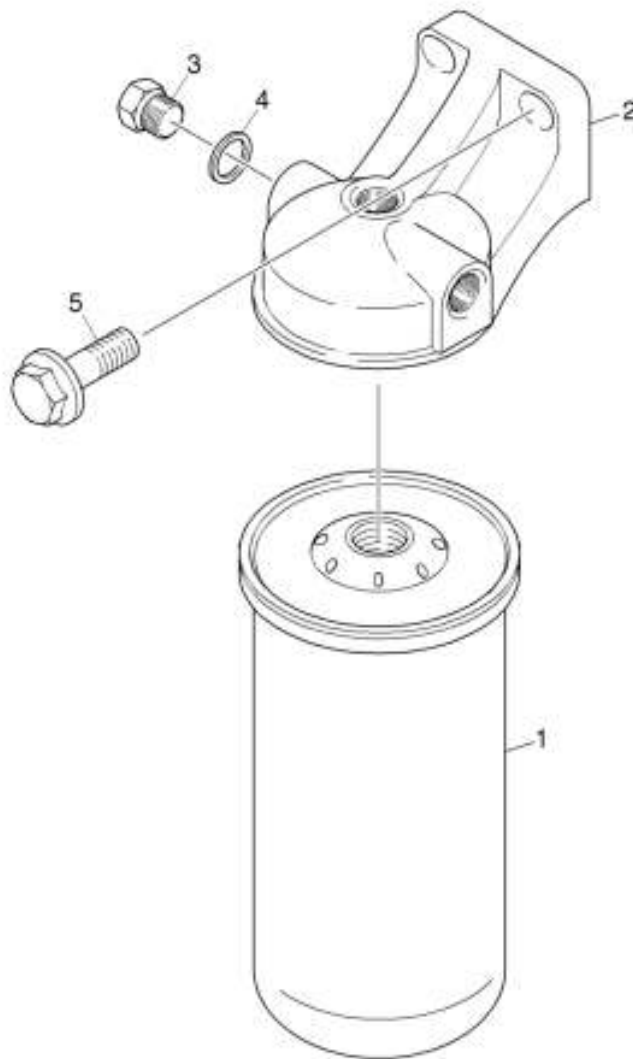


**03-01-1641 Unit injector, DC12 52/53/56/59/60A**

Pos.	Part no.	Remark	A	Description
1	1487472	X	6	Unit injector
	579255	Exchange unit. See paper edition dated 12.2002 and earlier.	6	Unit injector
	1487473		6	•Injection nozzle
	1440576	kit	6	Pushrod
2		nsp	6	•Ball
3		nsp	6	•Pushrod
4		See reference 3/99	6	Repair kit
5	1421424		6	Gasket
6	1729620	EN 6512549- SSS EN 8056388- SLA	6	Holder
7	1361120	M10x40 EN 6512549- SSS EN 8056388- SLA	6	Flange screw
8		See reference 1/15		Roller tappet
9		See reference 1/15		Pushrod
10		See reference 1/1		Rocker arm
11		See reference 1/1		•Adjusting screw
12		See reference 1/1		•Hexagon nut
13		See reference 16/15		Electronic control unit



03-05-0811 Fuel filter, filter head, D12A EMS



133112

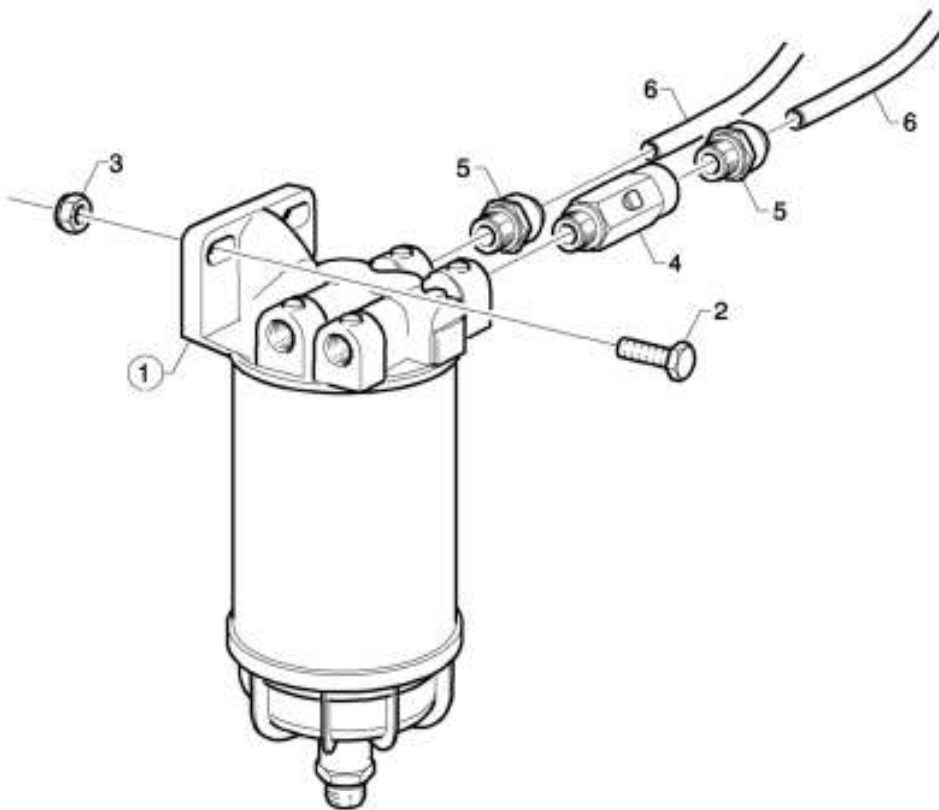
03-05-0811 Fuel filter, filter head, D12A EMS
Series no.

EN 6509333- SSS

Pos.	Part no.	Remark	A	Description
1	1763776	1411894	1	Fuel filter
	1798594	JCB branded	1	Fuel filter
				Water separator
2	1362289		1	Filter head
3	812373	M16x1.5x9	1	Screw plug
4	1373793	K	1	Sealing washer
5	812537	M10x30	2	Flange screw
		See reference 1/99		General overhaul kit



03-05-0016 Fuel filter, water separator, D12 EMS



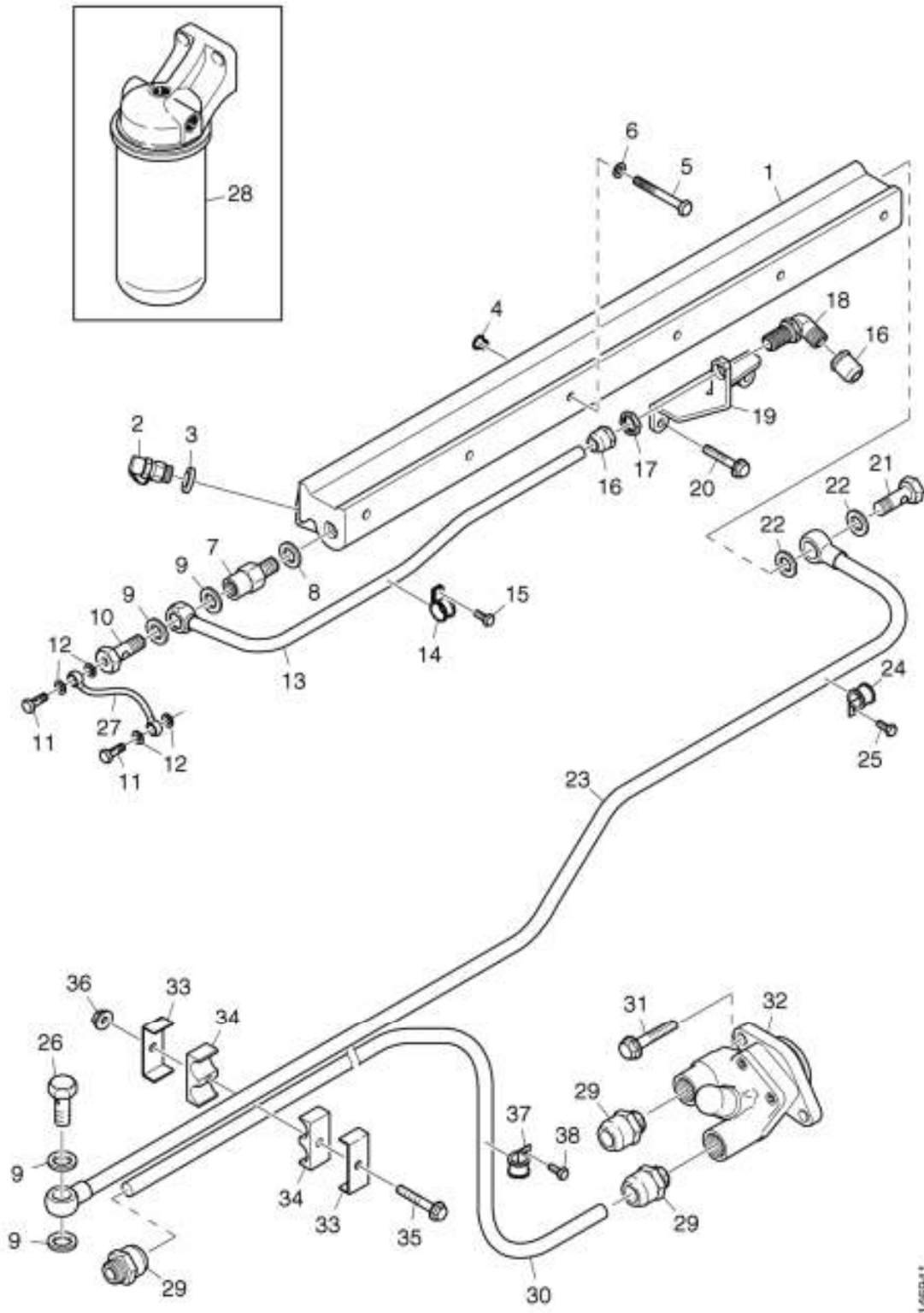
109168

03-05-0016 Fuel filter, water separator, D12 EMS

Pos.	Part no.	Remark	A	Description
1	1393639	assy	1	Fuel filter unit
	1393640		1	•Filter element
	1393641		1	•Filter head
	1407702		1	•Bowl
2	814824	M10x40	2	Hexagon screw
3	815147	M10	2	Lock nut
4	1411353		1	Drain tap
	812415	16.2x19.9	1	Gasket
5	1722417		2	Insert connection
6	813869	ø 12x1.5	m	Pipe
	812913	ø 12	2	Insert sleeve
	813223	ø 12	2	Ferrule
	814555	ø 12	2	Union nut



03-05-0804 Fuel manifold, fuel pipe, D12A EMS



146941

**03-05-0804 Fuel manifold, fuel pipe, D12A EMS**

Series no.

EN 6514808- SSS
EN 8709242- SLA

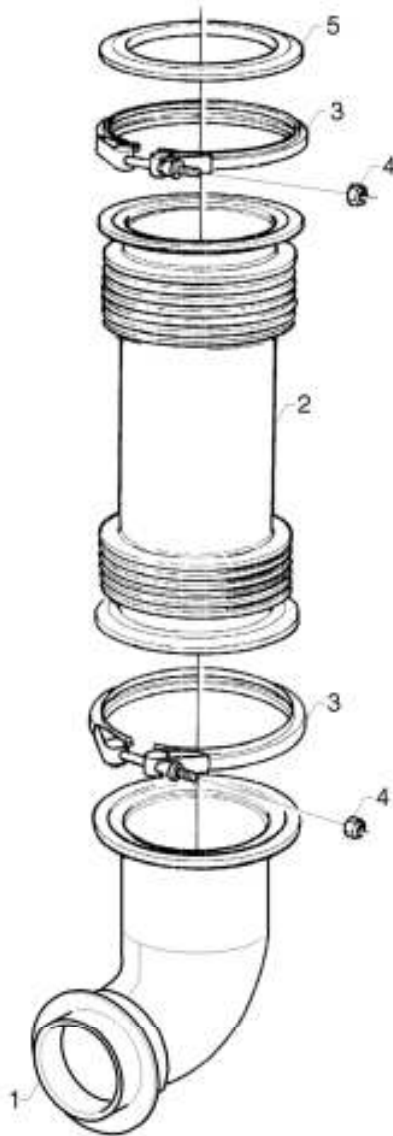
Pos.	Part no.	Remark	A	Description
1	1518986		1	Fuel manifold
2	1515098		1	Bleed nipple
	1427384		1	•Bleed nipple
3	1373790		1	Sealing washer
4	1368061		6	Gasket
5	1544472		6	Banjo screw
6	1735681		6	Sealing washer
7	1864034	1379215	1	Overflow valve
8	1373793		1	Sealing washer
9	1775373		4	Sealing washer
10	1496853		1	Banjo screw
11	17146		2	Banjo screw
12	1735681		4	Sealing washer
13	1506287		1	Fuel pipe
	1369877	ø 16	1	•Banjo union
	310270		1	Bracket
14	813936	ø 12mm	1	Clamp
15	812515	M8x16	1	Flange screw
16	1722418		2	Insert connection
17	814577	M18x1.5	1	Hexagon nut
18	1353484		1	Elbow union
19	1494002		1	Bracket
20	812515	M8x16	3	Flange screw
21	812390	M14x1.5	1	Banjo screw
22	1775372		2	Sealing washer
23	1762051		1	Fuel pipe
	813869	ø 12x1.5	m	•Pipe
	1358973	ø 14	1	•Banjo union
	1369877	ø 16	1	•Banjo union
24	142660		3	Clamp
25	812515	M8x16	2	Flange screw
	1347255	L=15mm	1	Separator insert
	812522	M8x45	1	Flange screw
26	812391	M16x1,5	1	Banjo screw
27	1733065		1	Fuel pipe
28		See reference 3/5/810		Fuel filter
29	1722417		3	Insert connection
30	1510308		1	Fuel pipe
	813869	ø 12x1.5	m	•Pipe

**03-05-0804 Fuel manifold, fuel pipe, D12A EMS**

Pos.	Part no.	Remark	A	Description
	1520634	When there is no compressor.	1	Fuel pipe
	813869	∅ 12x1.5 When there is no compressor.	m	•Pipe
31	812519	M8x30	2	Flange screw
32		See reference 3/1		Feed pump
33	219721		2	Clamp
34	219722		2	Vibration insulator
35	812506	M6x30	1	Flange screw
36	815131	M6	1	Flange nut
37	293098	∅ 12mm	1	Clamp
38	812502	M6x16	1	Flange screw



03-25-0497 Connection tubes, exhaust system,



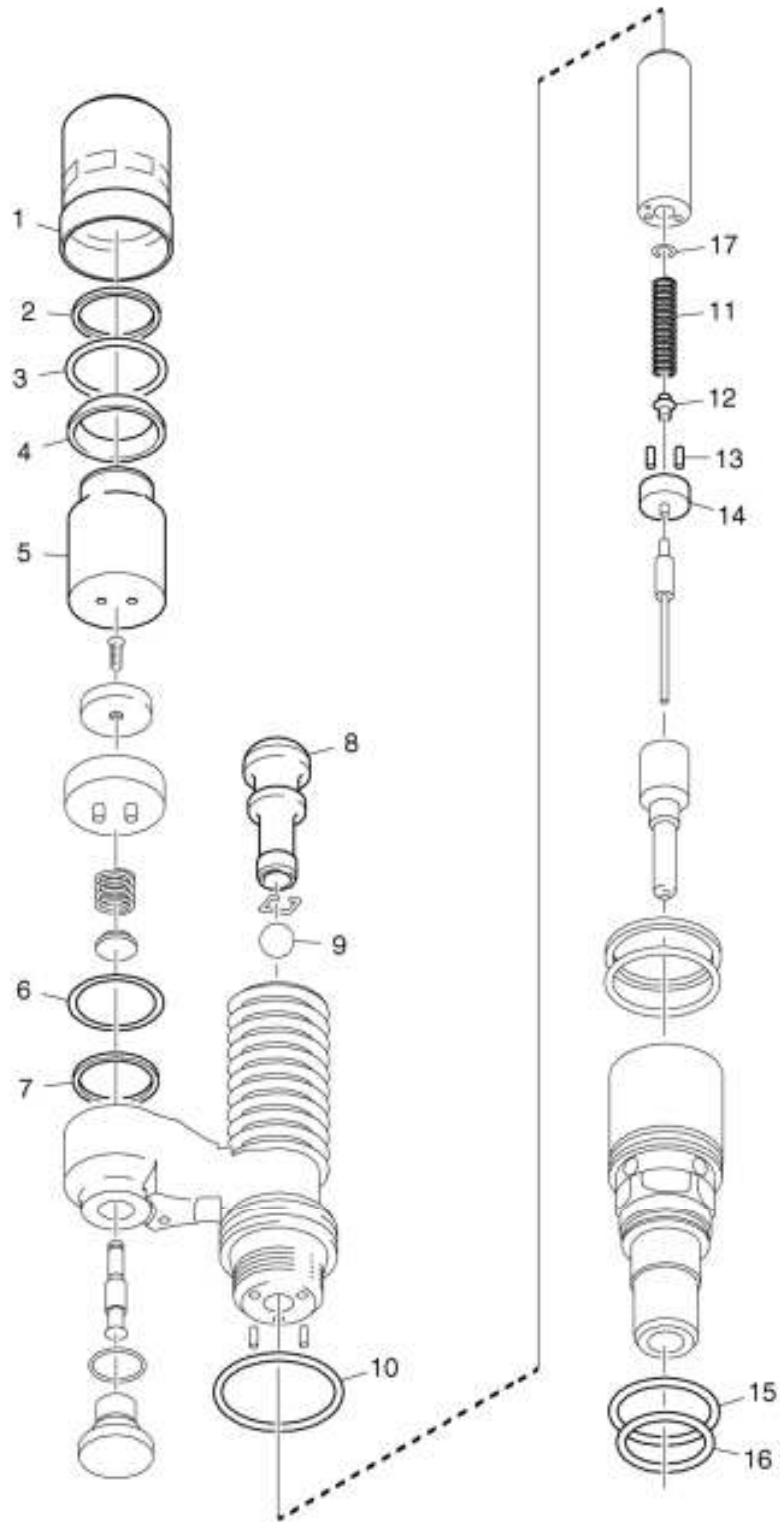
109171

**03-25-0497 Connection tubes, exhaust system,**

Pos.	Part no.	Remark	A	Description
1	1383333	assy	1	Turbo exhaust pipe
	1383335		1	•Flange pipe
2	1338111		1	Exhaust bellows
3	1380137		2	V-clamp
4	1332132	1338327	2	Lock nut
5	1331682	∅ 114 mm	1	Flange
	1302707	∅ 130 mm	1	Flange
	1338329	∅ 155 mm	1	Flange
	1373091		rq	Seal



03-99-1000 O-ring kit, stator, PDE



144743

03-99-1000 O-ring kit, stator, PDE

Footnote Injection system - unit injector PDE.

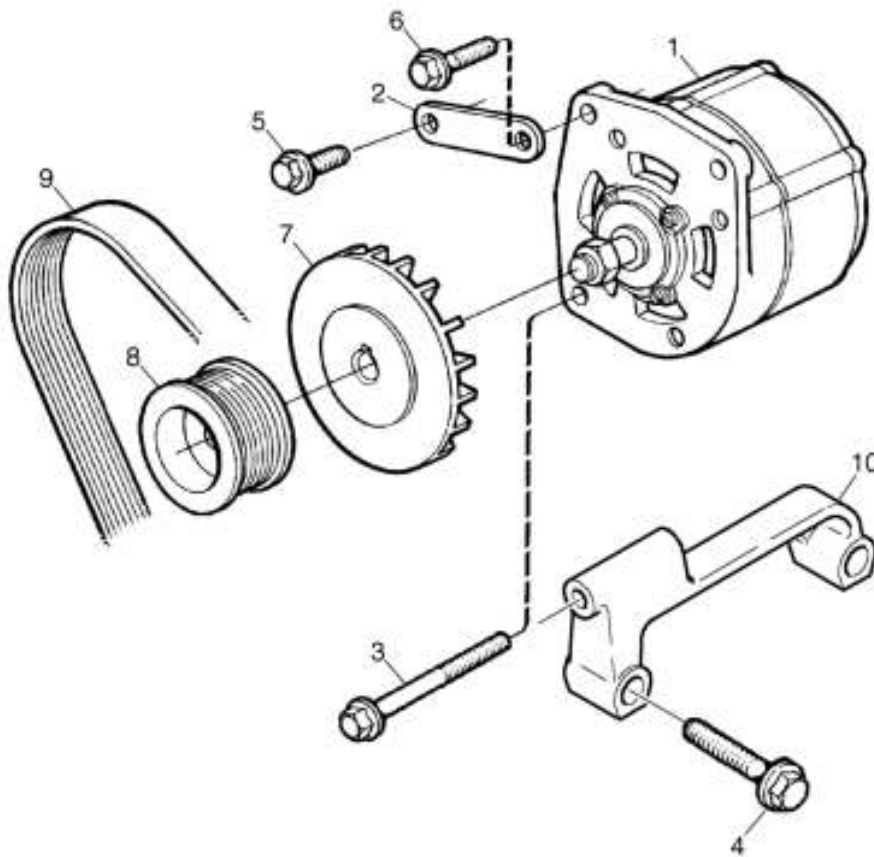
Pos.	Part no.	Remark	A	Description
	1731209		1	Repair kit
2		nss	1	•Support ring
3		nss	1	•O-ring
6		nss	1	•O-ring
7		nss	1	•Support ring
	1422564		1	O-ring kit
10		nss	1	•O-ring
15		nss	1	•O-ring
16		nss	1	•O-ring
	1402039			Grease
	1775008		1	Repair kit
11	1541179		1	•Spring
12		nss	1	•Spring seat
13	1541177		2	•Spring pin
	1774409		1	Repair kit
13	1541177		2	•Spring pin
14		nss	1	•Plate
	1412219	R 8 mm	1	Pushrod
				Repair kit
8		nss	1	•Pushrod
9		nss	1	•Ball
	1440576	R 10 mm	1	Pushrod
				Repair kit
8		nss	1	•Pushrod
9		nss	1	•Ball
	1784376		1	Repair kit
				Solenoid valve
2		nss	1	•Support ring
3		nss	1	•O-ring
5		nss	1	•Stator
	1784386		1	Repair kit
1		nss	1	•Nut
				Stator
4		nss	1	•Support ring
17	1407620	TH=1,00 mm	rq	Shim
	1407621	TH=1,02 mm	rq	Shim
	1407622	TH=1,04 mm	rq	Shim
	1407623	TH=1,06 mm	rq	Shim
	1407624	TH=1,08 mm	rq	Shim
	1407625	TH=1,10 mm	rq	Shim

**03-99-1000 O-ring kit, stator, PDE**

Pos.	Part no.	Remark	A	Description
	1407626	TH=1,12 mm	rq	Shim
	1407627	TH=1,14 mm	rq	Shim
	1407628	TH=1,16 mm	rq	Shim
	1407629	TH=1,18 mm	rq	Shim
	1407630	TH=1,20 mm	rq	Shim
	1407631	TH=1,22 mm	rq	Shim
	1407632	TH=1,24 mm	rq	Shim
	1407633	TH=1,26 mm	rq	Shim
	1407634	TH=1,28 mm	rq	Shim
	1407635	TH=1,30 mm	rq	Shim
	1407636	TH=1,32 mm	rq	Shim
	1407637	TH=1,34 mm	rq	Shim
	1407638	TH=1,36 mm	rq	Shim
	1407639	TH=1,38 mm	rq	Shim
	1407640	TH=1,40 mm	rq	Shim
	1407641	TH=1,42 mm	rq	Shim
	1407642	TH=1,44 mm	rq	Shim
	1407643	TH=1,46 mm	rq	Shim
	1407644	TH=1,48 mm	rq	Shim
	1407645	TH=1,50 mm	rq	Shim
	1407646	TH=1,52 mm	rq	Shim
	1407647	TH=1,54 mm	rq	Shim
	1407648	TH=1,56 mm	rq	Shim
	1407649	TH=1,58 mm	rq	Shim
	1407650	TH=1,60 mm	rq	Shim
	1407651	TH=1,62 mm	rq	Shim
	1407652	TH=1,64 mm	rq	Shim
	1407653	TH=1,66 mm	rq	Shim
	1407654	TH=1,68 mm	rq	Shim
	1407655	TH=1,70 mm	rq	Shim
	1407656	TH=1,72 mm	rq	Shim
	1407657	TH=1,74 mm	rq	Shim
	1407658	TH=1,76 mm	rq	Shim
	1407659	TH=1,78 mm	rq	Shim
	1407660	TH=1,80 mm	rq	Shim
	1407828	TH=1,82 mm	rq	Shim
	1407829	TH=1,84 mm	rq	Shim
	1407830	TH=1,86 mm	rq	Shim
	1407831	TH=1,88 mm	rq	Shim
	1407832	TH=1,90 mm	rq	Shim
	1407833	TH=1,92 mm	rq	Shim
	1407834	TH=1,94 mm	rq	Shim
	1407835	TH=1,96 mm	rq	Shim
	1407836	TH=1,98 mm	rq	Shim



16-05-9612 Alternator, mounting, low, 65A,90A,100A

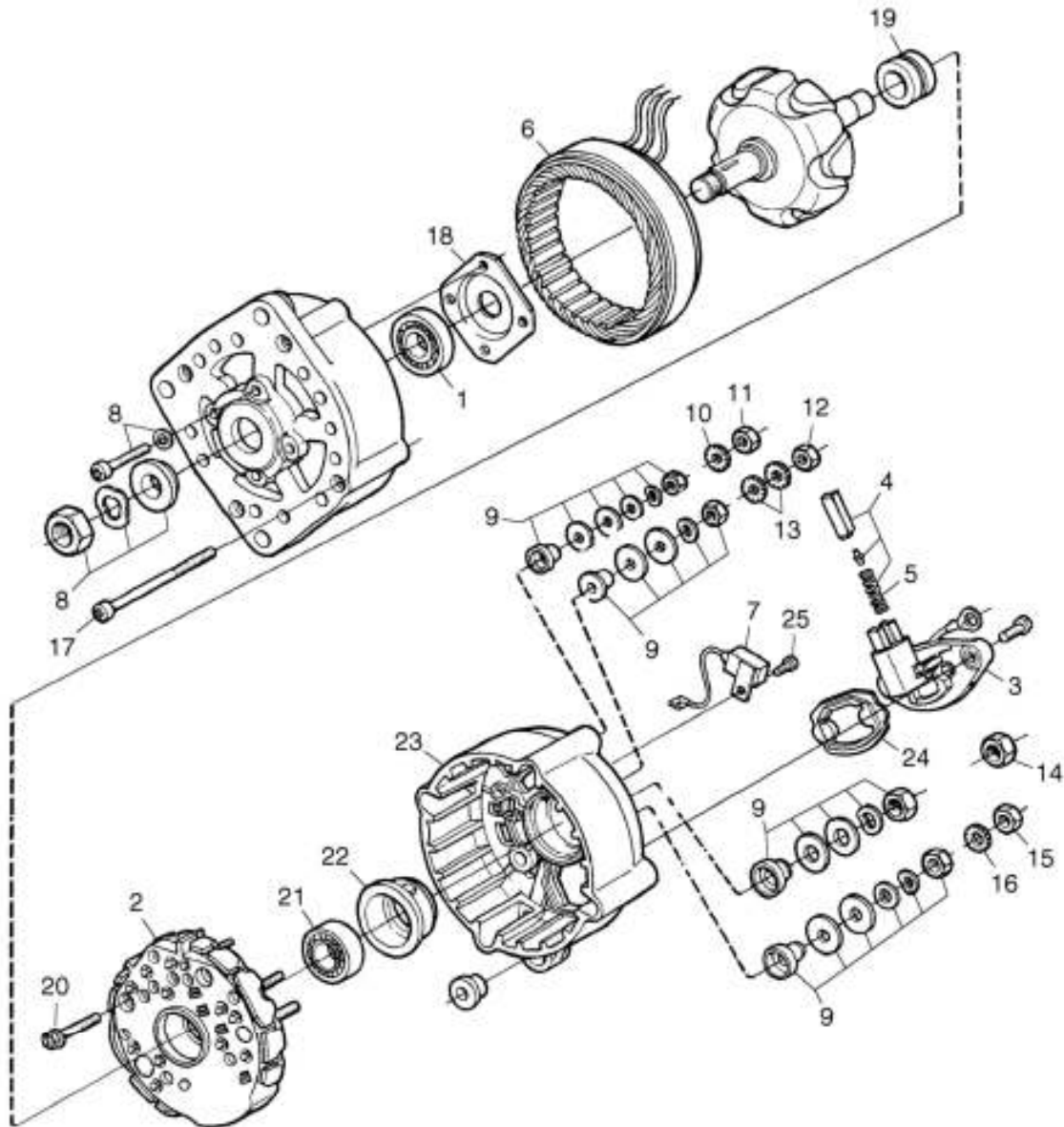


1200023

**16-05-9612 Alternator, mounting, low, 65A,90A,100A**

Pos.	Part no.	Remark	A	Description
1		See reference 16/5		Alternator
2	1354444		1	Bracket
3	1361784	M10x115	1	Flange screw
4	1506395	1388328 M16x90 EN 6119600- SSS	2	Screw
5	812537	M10x30	1	Flange screw
6	812539	M10x40	1	Screw
7	1356608	65A	1	Fan
8	1347401	65A	1	Pulley
9		See reference 2/		Drive belt
10	1449989	EN 6119600- SSS	1	Bracket

16-05-9654 Alternator, 1-pole electric system, N1-28V 20/65A 1-pol.



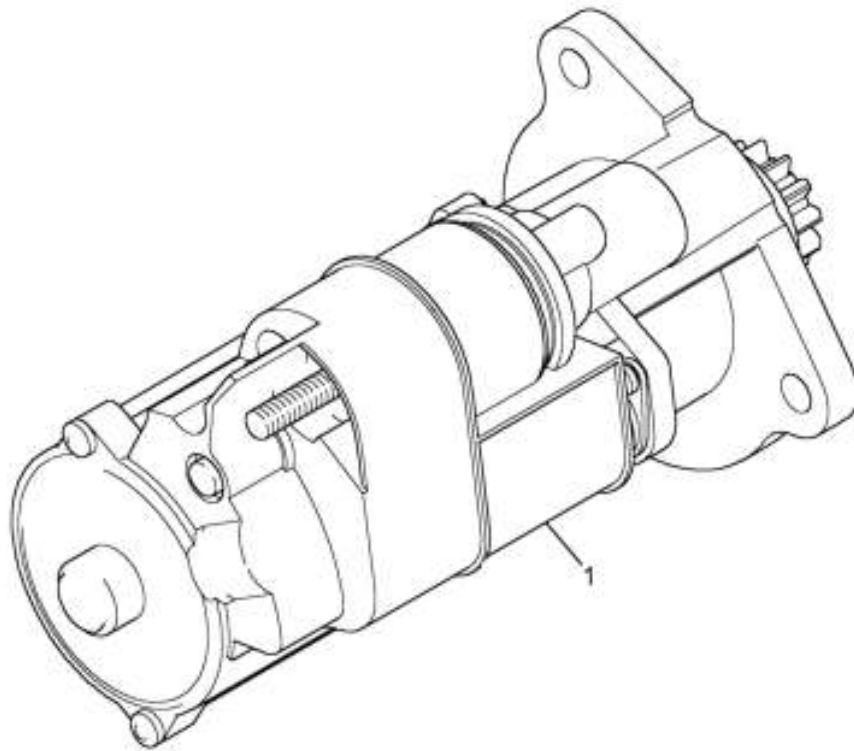
120043

**16-05-9654 Alternator, 1-pole electric system, N1-28V 20/65A 1-pol.**

Pos.	Part no.	Comp. code	Remark	A	Description
	1749769		X 1-pol.	1	Alternator
	571438		Exchange unit. See paper edition dated 12.2002 and earlier.	1	Alternator
		P3			
1	1387609			1	•Ball bearing
2	1387615			1	•Rectifier
3	1117253			1	•Charge regulator
4	1314209			1	•Carbon brush
5	280943			1	••Spring
6	1387617			1	•Stator
7	305166			1	•Capacitor
8	1387620			1	•Mounting kit
9	417228			1	•Kit
10	811295			1	Washer
11	807409		M4	1	Hexagon nut
12	815121		M5	1	Nut
13	811296		5,1	2	Serrated washer
14	1524022		B+, Insulated	1	Nut
15	815122		M6	1	Hexagon nut
16	811297			1	Serrated washer
17	1387618			4	Screw
18	1387610			1	Cover washer
19	1387612			1	Slip ring
20	305159			3	Screw
21	1314205			1	Roller bearing
22	362647			1	Ring
23	1387614			1	Slip ring
24	1314211			1	Frame
25	1314213			1	Screw



16-10-0221 Starter motor, 1-pole, DC12A EMS



128549

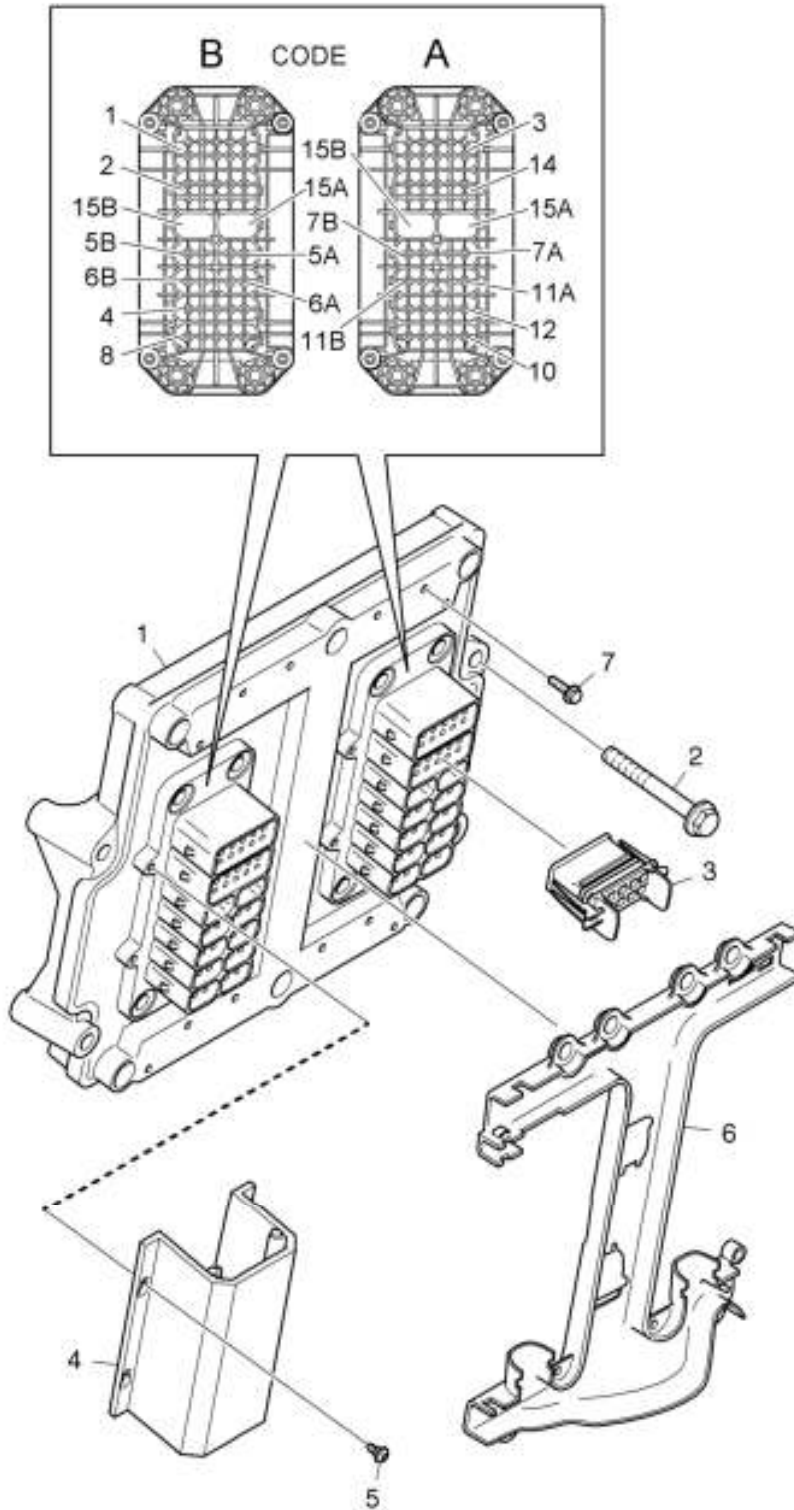
**16-10-0221 Starter motor, 1-pole, DC12A EMS**

Series no. EN 6517309- SSS
 EN 8710985- SLA

Pos.	Part no.	Remark	A	Description
1	1447911	X	1	Starter motor
	571467		1	Starter motor
	1501248		1	•Relay
	1509592		1	•Casing
	1872999	X For 1447911		Repair kit
	570189	Exchange unit. See paper edition dated 12.2002 and earlier.		Starter motor
	807310	10.5x20	1	•Washer
	815615	M10	1	•Lock nut
	571467		1	•Starter motor



16-15-1201 Electronic control unit, D12A EMS, S6



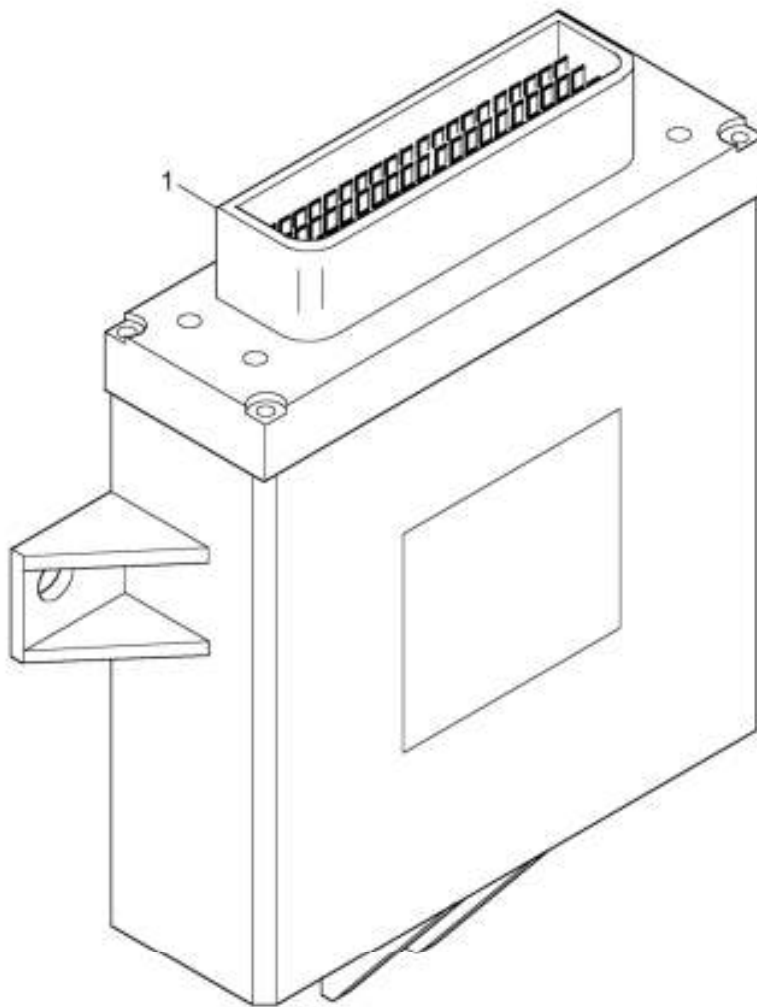
300893

**16-15-1201 Electronic control unit, D12A EMS, S6**

Pos.	Part no.	Comp. code	Remark	A	Description
1	1725654		The engine No. must be specified when ordering.	1	ECU
		E44			
2	812525		M8x60	4	Flange screw
3	805922		M4x8	8	Screw
4	1547891		1498907	2	Cover
5	1430199		2-pol. Plug	rq	Contact housing
	1430200		5-pol. Plug	rq	Contact housing
	1537092		1430201	rq	Contact housing
			See reference 16/70/1203		
6	1487484			1	Duct
7	812503		M6x20	8	Flange screw
	815361		L=185x4,6	8	Cable tie
	815360		L=100x2,4	4	Cable tie



16-15-1203 Electronic control unit, coordinator, DC9A/D12A EMS



127130



16-15-1203 Electronic control unit, coordinator, DC9A/D12A EMS

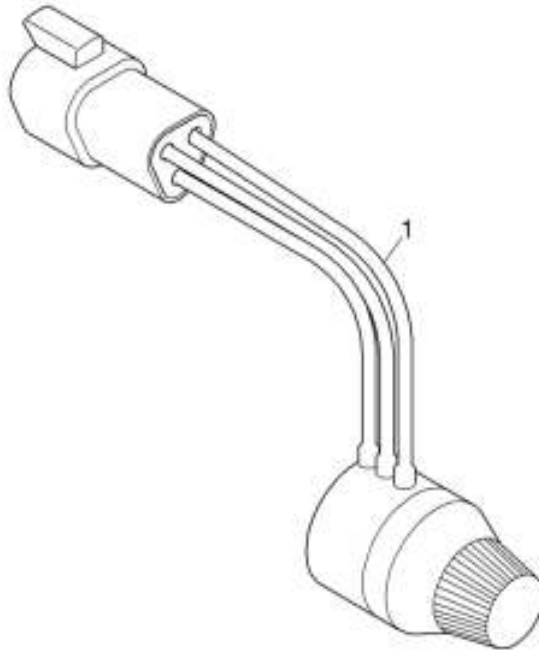
Series no.

EN 6510949- SSS

Pos.	Part no.	Comp. code	Remark	A	Description
1	1793630		1755522 all speed The engine No. must be specified when ordering.	1	Coordinator
	1793631		1755523 single speed The engine No. must be specified when ordering.	1	Coordinator
		E30			



16-15-1204 Speed setting, potentiometer, DC9A/D12/D16 EMS



138860

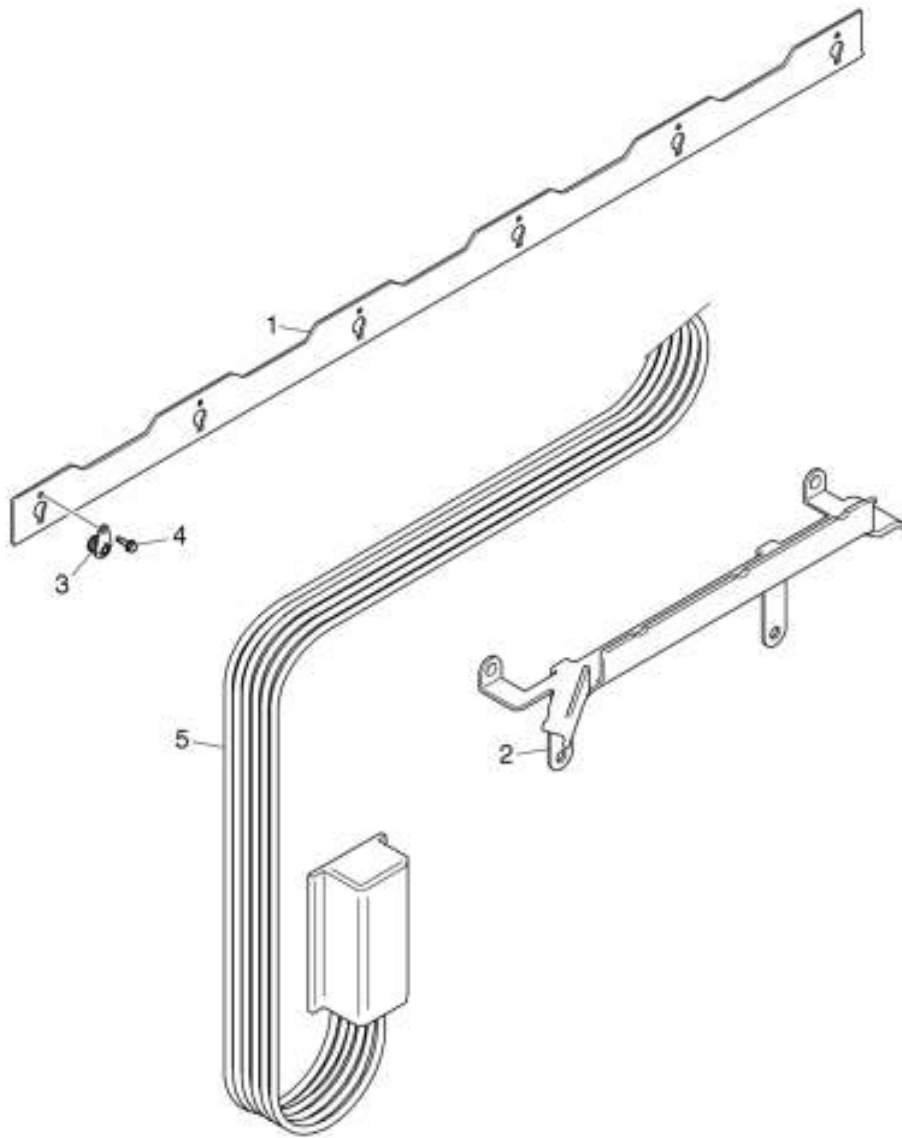


16-15-1204 Speed setting, potentiometer, DC9A/D12/D16 EMS

Pos.	Part no.	Remark	A	Description
1	1456340	assy	1	Potentiometer
	1383572		1	•Sleeve
	1349112	3-pol, orange	1	•Wedge lock
	1360370		3	•Cable terminal round pin



16-30-0012 Cable retainer, cylinder head, D12A EMS



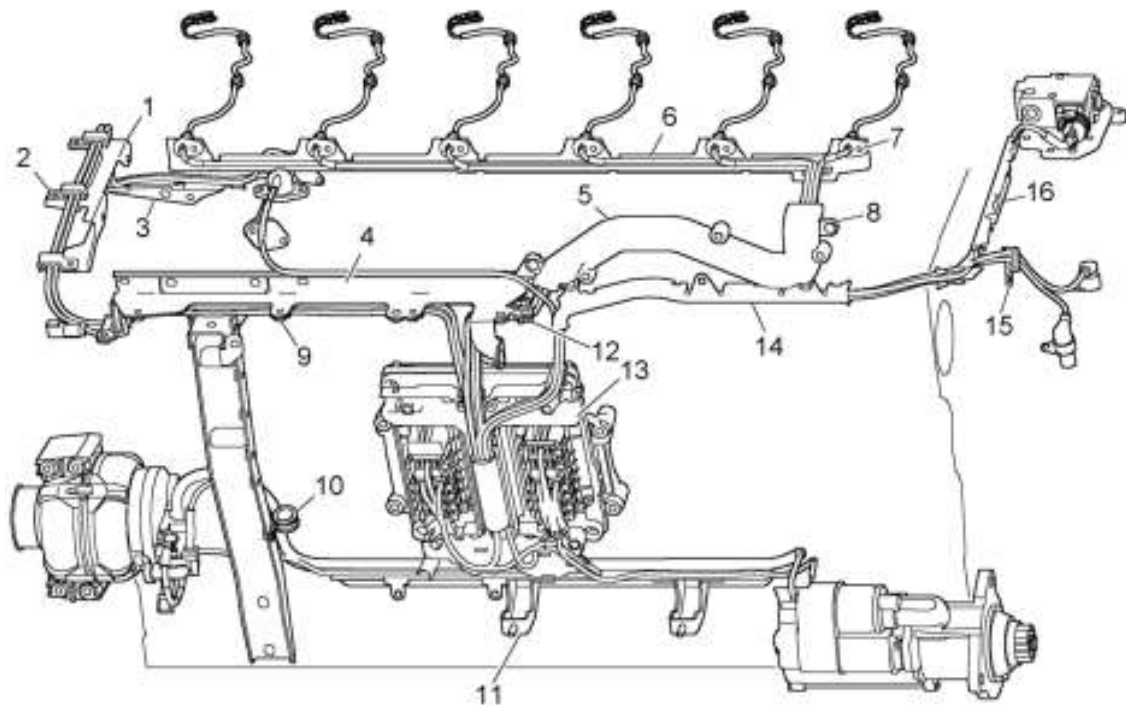
128917

**16-30-0012 Cable retainer, cylinder head, D12A EMS**

Pos.	Part no.	Remark	A	Description
1	1420569		1	Attaching plate
	1382788		6	Clamp
	815361	L=185x4,6	6	Cable tie
2	1858053	1490224	1	Duct
	815363	L=380x7,6	4	Cable tie
3		nsp	6	Lead through
4	812503	M6x20	6	Flange screw
5		See reference 16/45		Cable harness



16-30-0016 Cable routeing, engine, DC12A



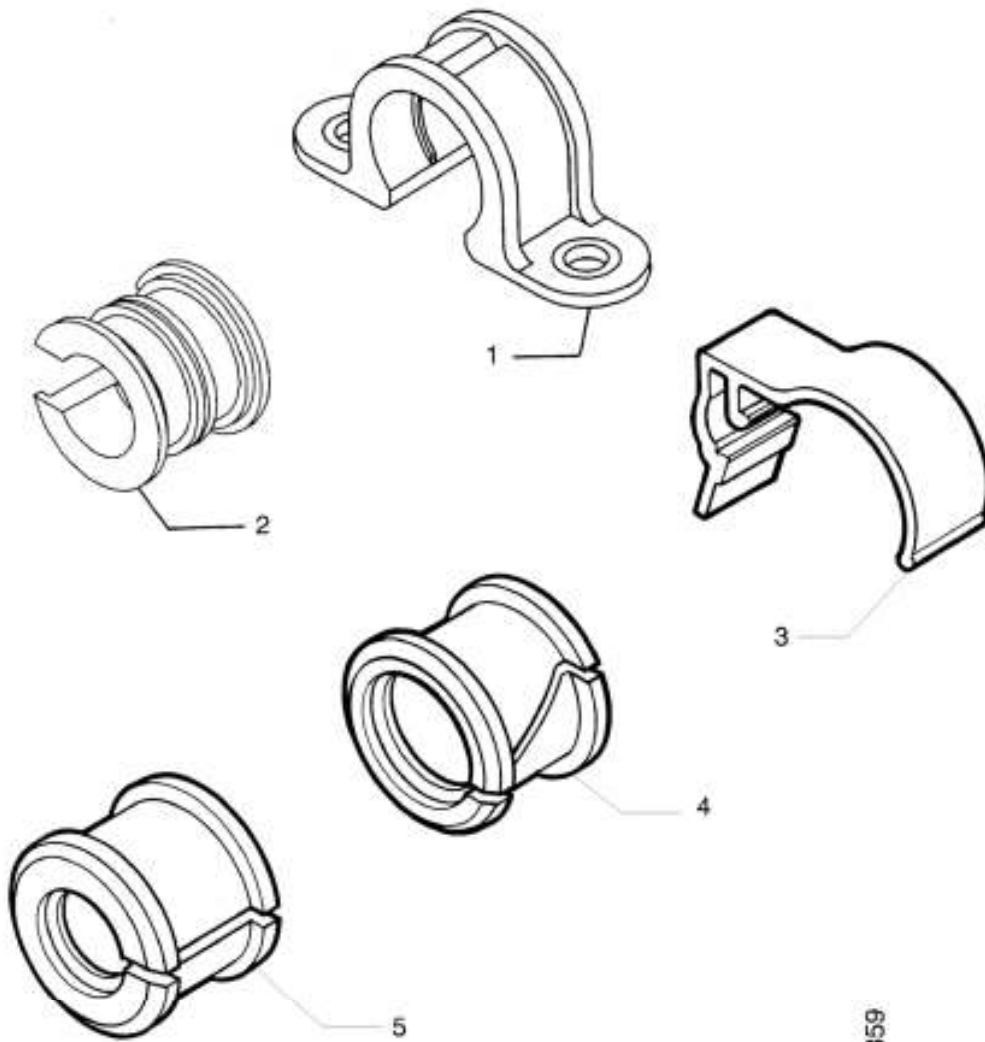
130408

16-30-0016 Cable routeing, engine, DC12A

Pos.	Part no.	Remark	A	Description
1	1516976		1	Bracket
	812518	M8x25	rq	Flange screw
2	1382788		3	Clamp
	812502	M6x16	3	Flange screw
3	1500363		1	Duct
	815361	L=185x4,6	3	Cable tie
	812989	M6x16	3	Self-tapping screw
4	1516969		1	Duct
	812516	M8x20	3	Flange screw
5	1530936		1	Casing
	812502	M6x16	3	Flange screw
6	1506930		1	Duct
	812503	M6x20	6	Flange screw
	815361	L=185x4,6	6	Cable tie
7	812503	M6x20	6	Flange screw
8	1530934		1	Duct
	812518	M8x25	4	Flange screw
	815361	L=185x4,6	8	Cable tie
9	1516974		4	Clamp
	812502	M6x16	4	Flange screw
10	293099	ø18	1	Clamp
	812515	M8x16	1	Flange screw
11	1533646		1	Duct
	812534	M10x20	3	Flange screw
	815361	L=185x4,6	2	Cable tie
	815132	M8	2	Flange nut
12	804578	ø 18	1	Clamp
	812502	M6x16	1	Flange screw
13	1487484		1	Duct
	812503	M6x20	8	Flange screw
	815361	L=185x4,6	8	Cable tie
	815360	L=100x2,4	4	Cable tie
14	1493310		1	Duct
	815361	L=185x4,6	5	Cable tie
	812514	M8x14	1	Flange screw
15	1382788		1	Clamp
	812502	M6x16	1	Flange screw
16	1493309		1	Duct
	812516	M8x20	1	Flange screw
	815361	L=185x4,6	4	Cable tie
17	1544768		1	Bracket
	812516	M8x20	2	Flange screw
	816141	M8x50	2	Flange screw



16-30-0172 Cable routeing,



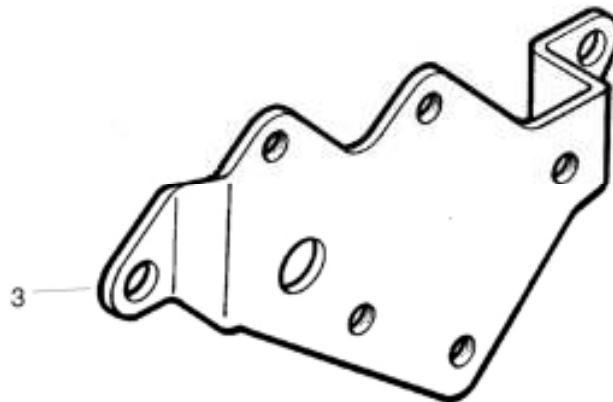
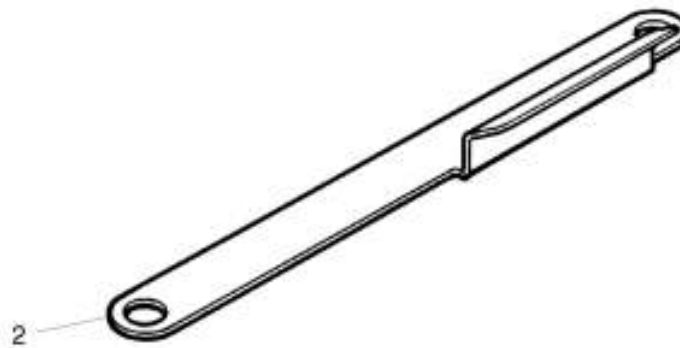
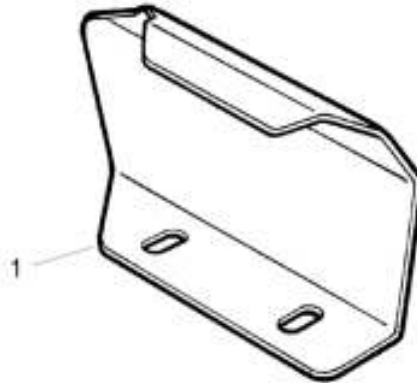
109359

**16-30-0172 Cable routeing,**

Pos.	Part no.	Remark	A	Description
1	1371444		rq	Clamp
2	1378681	int 21.5mm	rq	Lead through
	1378680	int 25.6mm	rq	Lead through
3	1378385		rq	Clamp
4	1378388		rq	Lead through
5	1378386		rq	Lead through
	1378387		1	Lead through
	1423645		1	Bracket
	1378280	L=24 mm	1	Spacing sleeve
	812523	M8x50	1	Flange screw
	320762	ø 22mm	1	Clamp



16-30-0804 Holder, bracket, protective plate,



114926

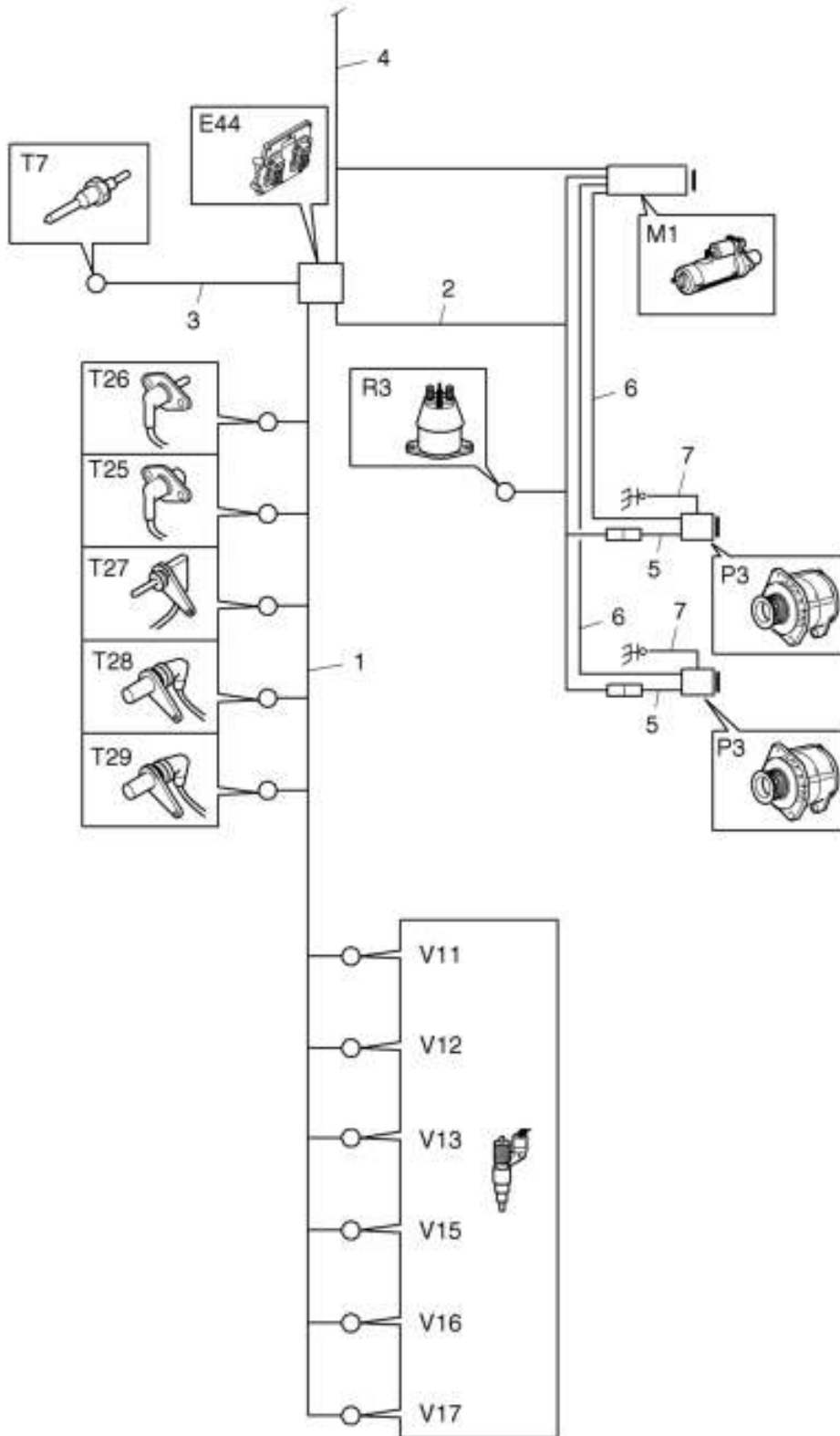


16-30-0804 Holder, bracket, protective plate,

Pos.	Part no.	Remark	A	Description
1	1502394	1426364	1	Protective plate
2	1427974		1	Protective plate
3	1426363		1	Bracket



16-45-1213 Cable harness, engine, D12A EMS, 1-pole



156054

**16-45-1213 Cable harness, engine, D12A EMS, 1-pole**

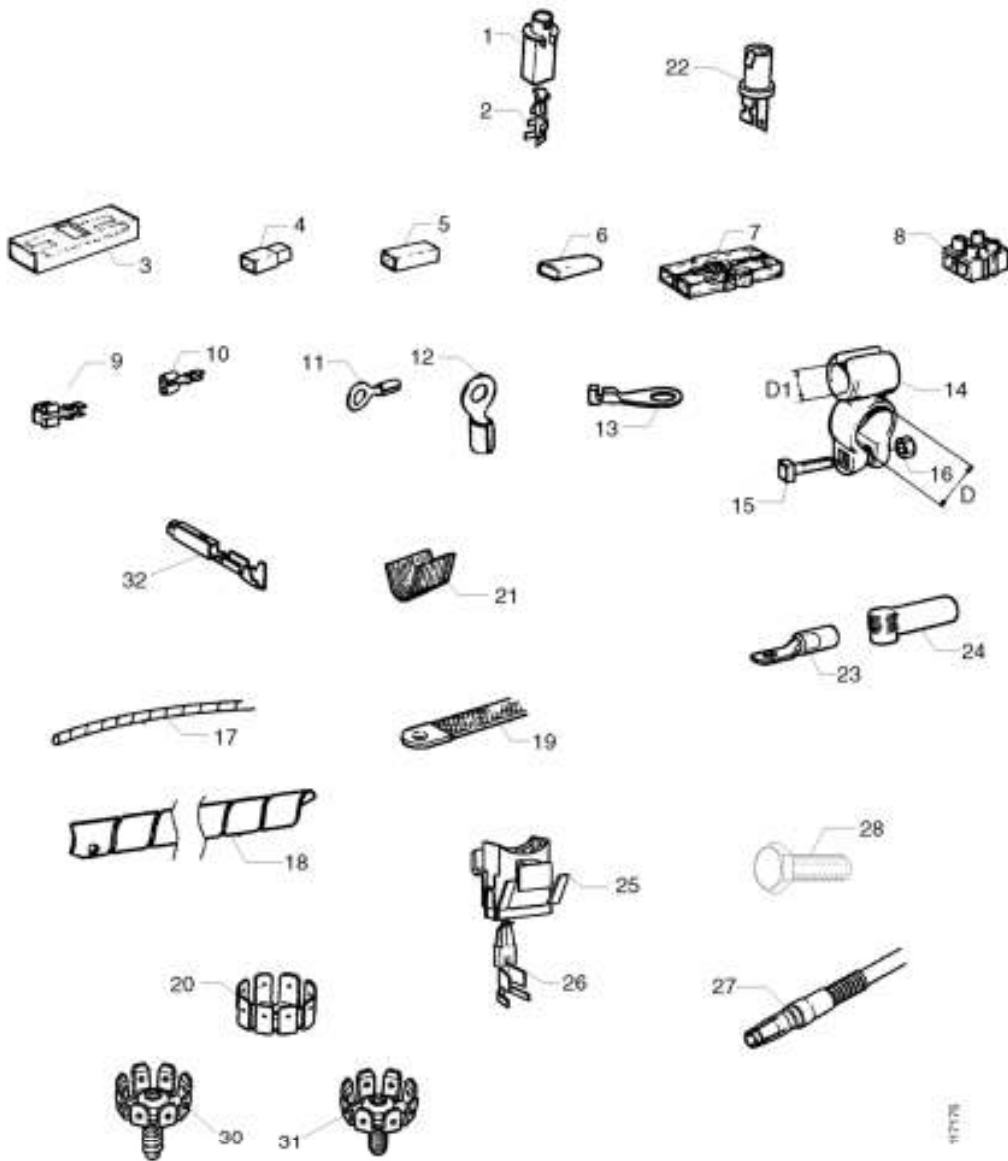
Series no.

EN 6519319- SSS

Pos.	Part no.	Comp. code	Remark	A	Description
		E44	S6 See reference 16/15		Electronic control unit
		M1	See reference 16/10		Starter motor
		R3	See reference 16/10		Starter relay
		T25			Oil pressure sensor
		T26			Charge air pressure sensor
		T27			Temperature sensor
		T28			Rotational speed sensor
		T29			Rotational speed sensor
		V11	See reference 3/1		Unit injector
		V12	See reference 3/1		Unit injector
		V13	See reference 3/1		Unit injector
		V15	See reference 3/1		Unit injector
		V16	See reference 3/1		Unit injector
		V17	See reference 3/1		Unit injector
	1524195				Repair kit
1	1805424		assy	1	Cable harness
	1535521	T25		1	•Oil pressure sensor
	1862890	T26	1787155	1	•Combined sensor
	1865317	T27		1	•Temperature sensor
	1457303	T28	Engine speed 1	1	•Rotational speed sensor
	1457304	T29	Engine speed 2	1	•Rotational speed sensor
	1402518			1	••Rotational speed sensor
2	1852210		With one or two alternators	1	Cable harness
3	1549688			1	Cable harness
	1777267	T7	T7 See reference 2/1/571	1	Sensor
4			assy, main supply box See reference 16/45/1203	1	Cable harness
5	1852209			2	Cable harness
6	1869854			2	Cable harness
7	1392764			2	Ground connection



16-70-0030 Electrical equipment, electrical components,



**16-70-0030 Electrical equipment, electrical components,**

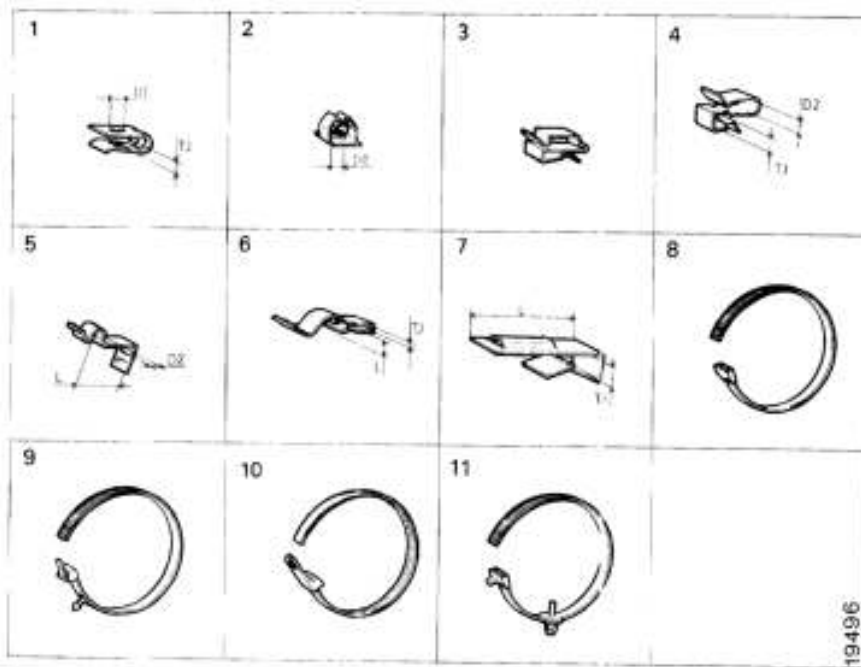
Pos.	Part no.	Remark	Description
1	1401958	367315	Bulb holder
2	1401958	367314	Bulb holder
3	203875	1-POL.	Connection block 4 connection pins
4	814263	289085	Contact housing
5	813522	1-POL.	Contact housing
	815695	1,0-2,5mm ²	Cable term., flat socket/ pin
6	307472	4,8mm	Protection sleeve
	305937	6,3mm	Protection sleeve
7	296053	2-POL.	Connection block
8	133078	2-POL.	Connection block
9	813486	813898	Cable terminal round pin
10	277833	50A	Cable terminal flat socket
11	807074	0,5-1,5mm ²	Cable terminal, ring
	807075	0,5-1,5mm ²	Cable terminal, ring
	807076	0,5-1,5mm ²	Cable terminal, ring
	807077	1,5-2,5mm ²	Cable terminal, ring
	807078	1,5-2,5mm ²	Cable terminal round pin
	807079	1,5-2,5mm ²	Cable terminal, ring
	807080	1,5-2,5mm ²	Cable terminal, ring
	807081	1,5-2,5mm ²	Cable terminal, ring
	813461	10-16mm ² M6	Cable terminal, ring
	813463	10-16mm ² M10	Cable terminal, ring
12	814254	243020 25mm ² M8	Cable terminal, ring
	814255	243021 17,0-26,0mm ² M10	Cable terminal, ring
	243022	27,0-42,0mm ² M8	Cable terminal, ring
	814256	243023 35mm ² M10	Cable terminal, ring
	243024	50mm ² M8	Battery cable terminal
	814259	243025 43,0-60,0mm ² M10	Cable terminal, ring
13	797679		Cable terminal round pin
14	809165	D=15,9, D1=8	Battery cable terminal
	809166	D=17,5, D1=8	Battery cable terminal
	807125	D=15,9, D1=10	Battery cable terminal
	807126	D=17,5, D1=10	Battery cable terminal
	809167	D=15,9, D1=11,5	Battery cable terminal
	809168	D=17,5, D1=11,5	Battery cable terminal
15	290962		Screw
16	815123	M8	Hexagon nut

**16-70-0030 Electrical equipment, electrical components,**

Pos.	Part no.	Remark	Description
17	310158	2000mm	Spiral cable
18	371917	L=200 mm	Spiral cable
	389817	1100mm	Spiral cable
	389062	1500mm	Spiral cable
	1113006	8/2	Shrinking tubing
	1113008	16/4mm 16/4	Shrinking tubing
	1113009	L=1000mm 24/6	Shrinking tubing
	1113010	32/8	Shrinking tubing
	1113011	52/13	Shrinking tubing
	1460691	20/10	Shrinking tubing
19	308080	L=430mm	Frame ground connection
	273261	L=930mm	Frame ground connection
20	813469	8-POL. M4	Tabs for grounding
	814811	8-POL. M6 Cr	Tabs for grounding
	1504051	M6 Sn	Hexagon screw
	1360366		Screw
	807327	13x24	Washer
	1371925	F958	Ground screw
	1371926	Retarder	Sleeve
21	950296		Jointing sleeve
22	291267		Bulb holder
23	912444	M8	Cable terminal round pin
24	1438452	1305201	Insulation
25	1115428		Fuse holder
26	912074	1,5-2,5mm ²	Cable terminal flat socket
	912075	2,5-4,0mm ²	Cable terminal flat socket
27	229451	For 231631	Sleeve
28		1404640 Plastic	Ground screw
		Chassis insulated ADR	
	1504051	M6 Sn	Hexagon screw
	1491664	M6x12 CN/CL	Thread forming screw
	1491665	CN/CL	Thread forming screw
	482792	M6x20 CN/CL	Screw
	1438416	CN/CL	Washer
	1439616	CN/CL	Nut
	1444220	CN/CL	Washer
30	1432391	1373935	Tabs for grounding
31	1432392	1373936	Tabs for grounding
32	1422891	Tool 99494:A S50	Cable terminal flat socket



16-70-0060 Electrical equipment, Special parts,

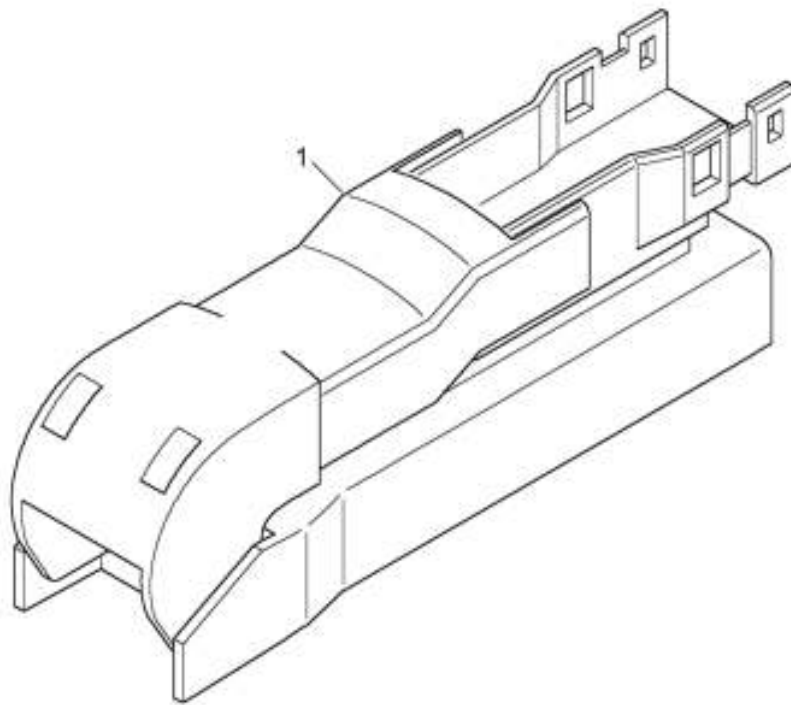


**16-70-0060 Electrical equipment, Special parts,**

Pos.	Part no.	Remark	Description
1	239440	TH=4,32-4,83	Clip nut
	296900	TH=2,92-3,10	Clip nut
	287984	TH=0,91-2,03	Clip nut
	1104386	283448 TH=2.00-4.00 mm	Clip nut
	1400131	300682	Nut
	302192	TH=0,50-1,50	Clip nut
	303903	TH=1,50-2,00	Clip nut
	1104386	283448 TH=2.00-4.00 mm	Clip nut
	318034	TH=2.50-3.00 mm	Clip nut
	303090	TH= -6,00	Clip nut
2	282275		Clip nut
3	277685	TH= -7,0	Clamp
	344142	301466 TH=3,25-4,25	Spring clip
	333439	TH= -4,7	Clamp
	344142	301466 TH=3,25-4,25	Spring clip
	301467		Clamp
	313327	TH=2,0-4,0	Clamp
	305107	TH=2,0-4,0mm	Clamp
	316508	TH=1,0-1,5	Spring clip
	328196	TH= -4,0	Clamp
4	240043	TH=5,0-7,0	Spring clip
	1306238	TH=1,0-1,5mm	Clamp
5	302943		Clamp
	307110		Clamp
6	305101	TH=3,0mm	Clamp
	305102	TH=3,0mm	Spring clip
7	293091	L=47 mm	Clamp
	293092	L=60mm	Clamp
	301401	TH=5,0-9,5	Locking clip
	331946	TH=5,0-6,0mm	Clamp
8	326156		Band clamp
	815360	191357 L=100x2,4	Cable tie
	815363	285771 L=380x7,6	Cable tie
	815361	180025 L=185x4,6	Cable tie
	815363	229249 L=380x7,6	Cable tie
	815362	223604 L=380x4,6	Cable tie
	815363	285771 L=380x7,6	Cable tie
9	308656		Cable tie
10	354980		Cable tie
11	303041		Cable tie



16-70-1202 Contact housing, coordinator, D12A EMS



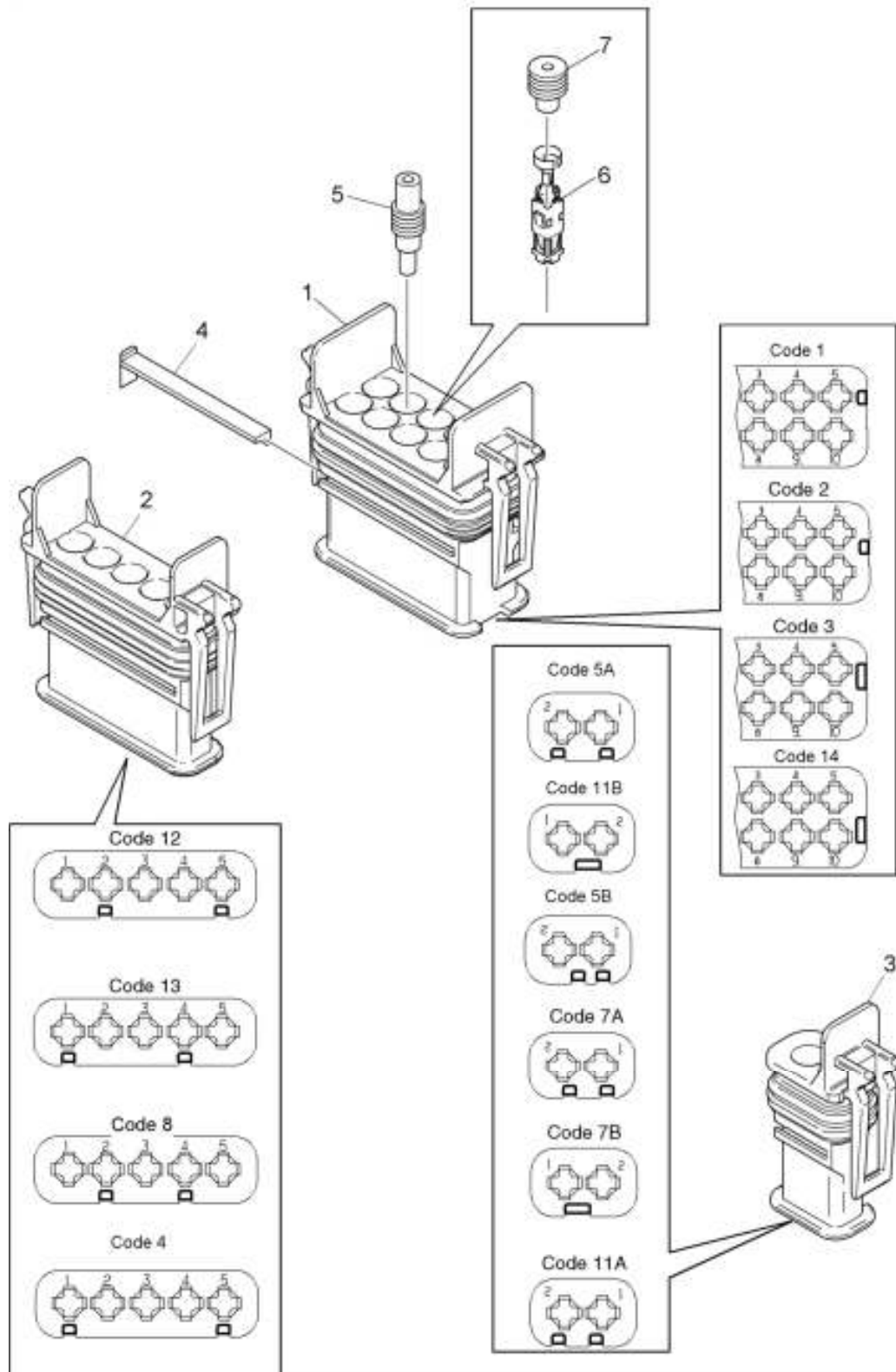
120555



16-70-1202 Contact housing, coordinator, D12A EMS

Pos.	Part no.	Remark	A	Description
1	1404305		1	Contact housing
	815886		3	Cable terminal flat socket
	816054		29	Cable terminal flat socket
	815361	L=185x4,6	1	Cable tie

16-70-1203 Contact housing, electronic control unit, D12A EMS, E44/S6

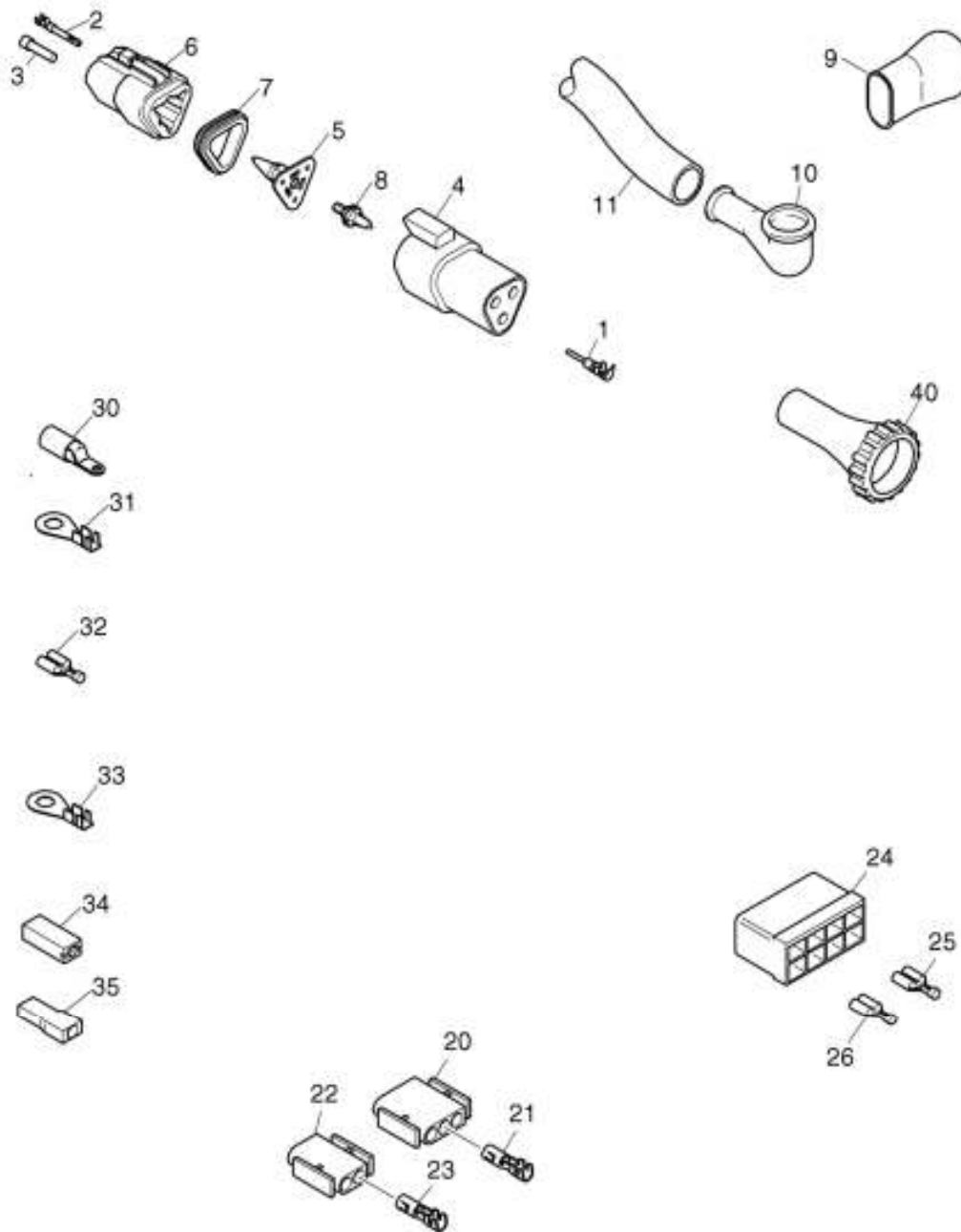


126763

16-70-1203 Contact housing, electronic control unit, D12A EMS, E44/S6

Pos.	Part no.	Remark	A	Description
1	1426470	10-pol. Code 1	rq	Contact housing
	1426471	10-pol. Code 2	rq	Contact housing
	1426472	10-pol. Code 3	rq	Contact housing
	1426473	10-pol. Code 14	rq	Contact housing
	1537092	1430201 10-pol. Code 0 (Plug)	rq	Contact housing
2	1426468	5-pol. Code 12	rq	Contact housing
	1426469	5-pol. Code 13	rq	Contact housing
		1426467 5-pol. Code 8	rq	Contact housing
	1430200	5-pol. Plug 5-pol. Code 0 (Plug)	rq	Contact housing
3	1426462	2-pol. Code 7A	rq	Contact housing
	1426463	2-pol. Code 7B	rq	Contact housing
	1426464	2-pol. Code 11A	rq	Contact housing
	1430199	2-pol. Plug 2-pol. Code 0 (Plug)	rq	Contact housing
4	1426475	10-pol.	rq	Lock pin
	1426475	5-pol.	rq	Lock pin
	1426474	2-pol.	rq	Lock pin
5	1427320		rq	Plug
6	1380386		6	Sleeve
	1384509	1.0mm ²	3	Cable terminal flat socket
		1384510	rq	Cable terminal flat socket
7	1380388		rq	Seal

16-70-1205 Electrical equipment, electrical components, D12A EMS



127131

**16-70-1205 Electrical equipment, electrical components, D12A EMS**

Pos.	Part no.	Remark	A	Description
1	1361119	Tool 588203:3 AU-plated	rq	Cable terminal round pin
	1360370	Ni-plated	rq	Cable terminal round pin
	1342967	Solid Ni-plated	rq	Cable terminal round pin
	1427162	Tool 99496:B Nickel	rq	Cable terminal round pin
				Sensor, oil pressure
2	1361118	AU-plated	rq	Cable terminal round socket
	1360371	Tool 99496:A Ni-plated	rq	Cable terminal round socket
		1427167	rq	Sleeve
3	1342966		rq	Plug
4	1430753	Coolant level monitor	1	Contact housing
5	1349113	3-pol, orange	rq	Wedge lock
6	1440853	Coolant level monitor	1	Contact housing
7	1421217		rq	Gasket
8	1349112	3-pol, orange	rq	Wedge lock
9	1433456		rq	Casing
10	1439096		rq	Insulation
11	1113008	16/4mm 16/4	rq	Shrinking tubing
	1113009	L=1000mm 24/6	rq	Shrinking tubing
	1113010	32/8	rq	Shrinking tubing
20	813553	3-POL.	rq	Contact housing
21	813925	0,5-2,0mm ²	rq	Cable terminal flat socket
22	813551	2-POL.	rq	Contact housing
23	813907	1,0-2,5mm ²	rq	Cable terminal flat socket
24	813530	8-POL.	rq	Contact housing
25	813895		rq	Cable terminal round pin
26	813907	1,0-2,5mm ²	rq	Cable terminal flat socket
30	815666	16mm ²	rq	Cable terminal flat socket
31	345451	10mm ²	rq	Cable terminal
32	813482	Component connection	rq	Cable term., flat socket/ pin
	814251	Component connection	rq	Cable terminal round pin
	815719	Component connection	rq	Cable terminal flat socket
	815722	Component connection	rq	Cable terminal flat socket
33	807068	0,5-2,5mm ² M4	rq	Cable terminal, ring
	807071	3,0-6,0mm ² M6		Cable terminal, ring
34	813872		rq	Contact housing
	807115		rq	Contact housing

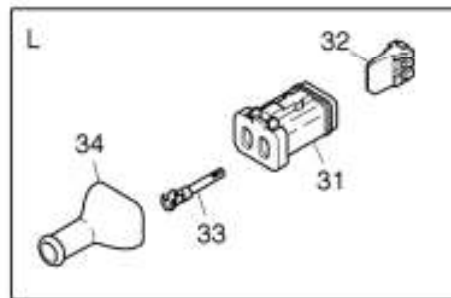
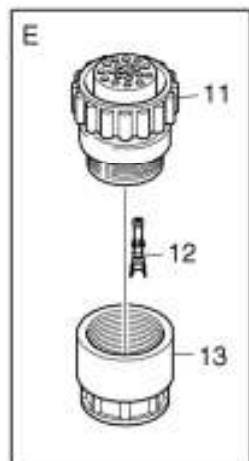
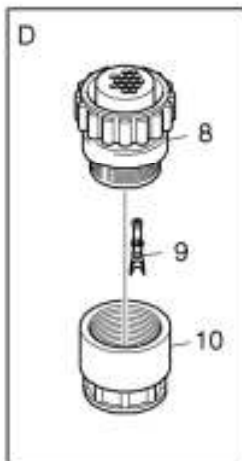
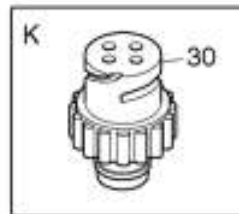
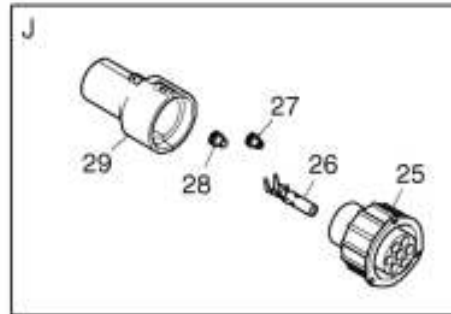
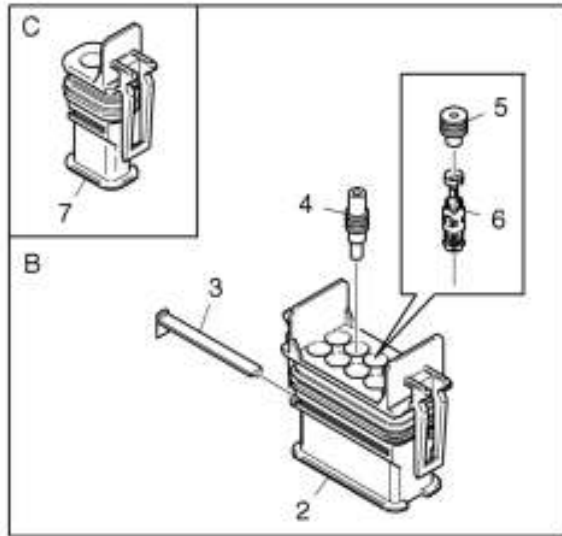
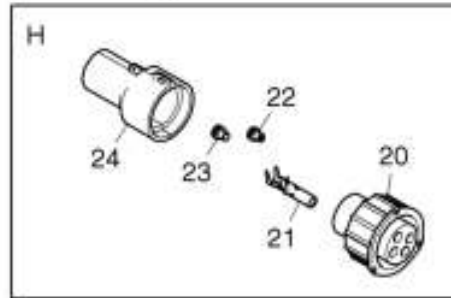
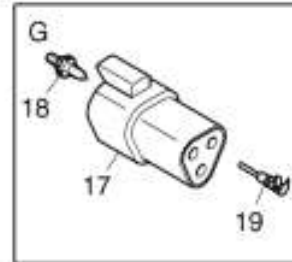
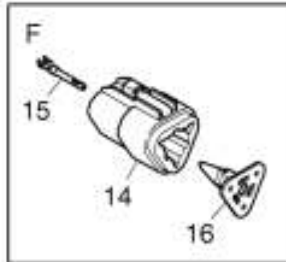
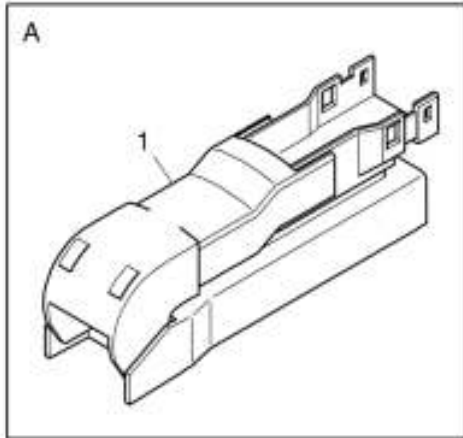


16-70-1205 Electrical equipment, electrical components, D12A EMS

Pos.	Part no.	Remark	A	Description
35	813522	1-POL.	rq	Contact housing
	807114	1-POL.	rq	Contact housing



16-70-1212 Contact housing, kit, DC9A/D12/D16 EMS



150253

**16-70-1212 Contact housing, kit, DC9A/D12/D16 EMS**

Qty

A connector B1, black

B connector A2, white

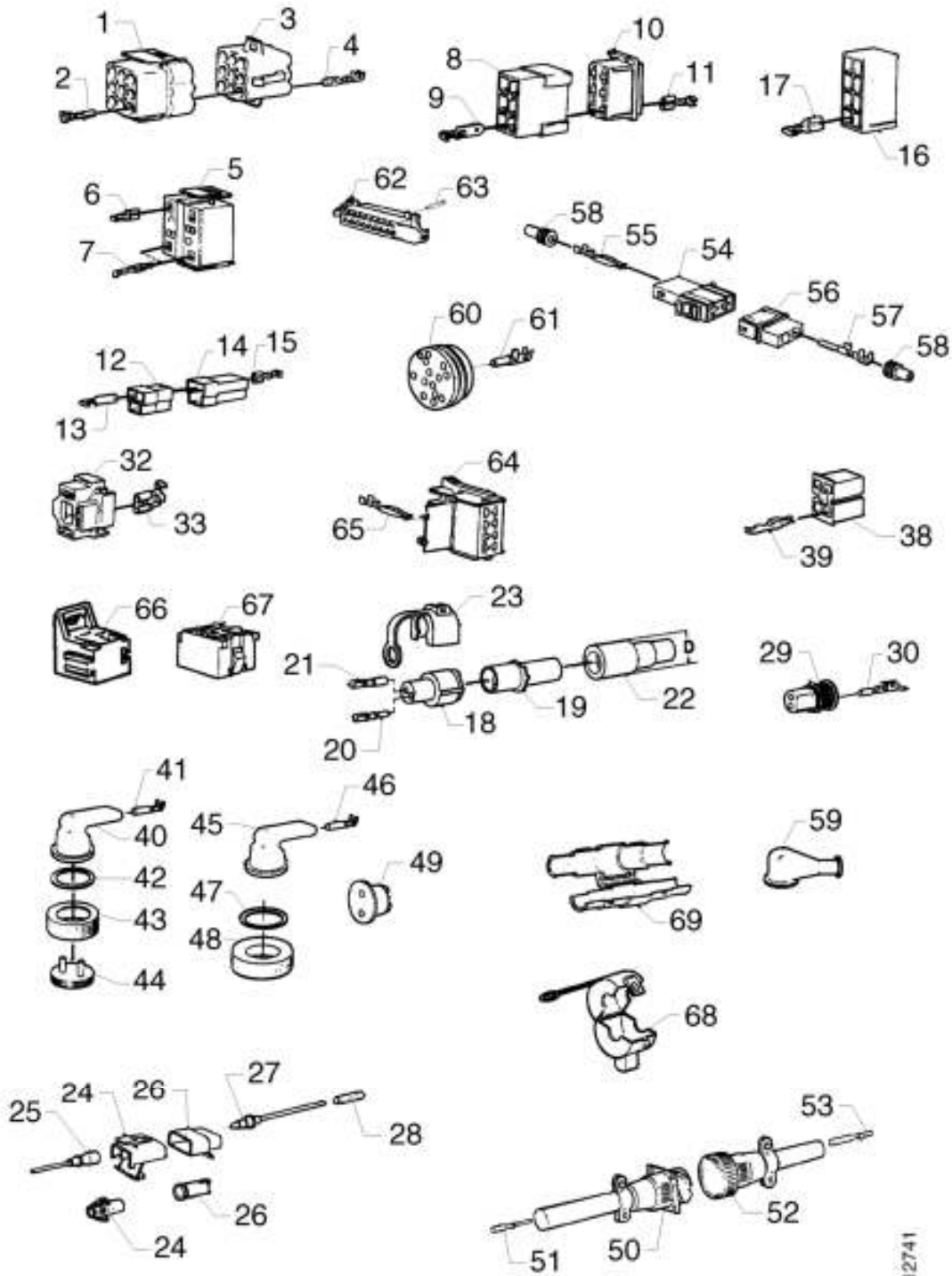
Pos.	Part no.	Remark	A	B	Description
A	1505750	assy	1		Connector
1	1404305		1		•Contact housing
	815886	815660	4		•Cable terminal flat socket
	816054	816053	30		•Cable terminal flat socket
	815361	L=185x4,6	1		•Cable tie
		nsp	1		•Resistor
B	1505532	assy	1		Connector
	1520205	assy		1	Connector
2	1426470		1		•Contact housing
	1426473			1	•Contact housing
3	1426475		2	2	•Lock pin
4	1427320		5	7	•Plug
5	1380388		8	6	•Seal
6	1380386		6	6	•Sleeve
	1384509		3		•Cable terminal flat socket
C	1757384	assy	1		Connector
7		nsp	1		•Contact housing
	1426474		1		•Lock pin
	1427320		2		•Plug
	1380388		3		•Seal
	1380386		4		•Sleeve
D	1725857	14-pol. assy	1		Connector
8	1735027		1		•Contact housing
9		nsp	14		•Cable terminal
10		nsp	1		•Cable fitting
E	1505531	24-pol. assy	1		Connector
11	1735029		1		•Contact housing
12		nsp	24		•Cable terminal
13		nsp	1		•Cable fitting
F	1757385	assy	1		Connector
14	1440853		1		•Contact housing
15	1361118		5		•Cable terminal round socket
16	1349113	3-pol, orange	1		•Wedge lock
G	1456342	assy	1		Connector
17	1383572		1		•Sleeve
18	1349112	3-pol, orange	1		•Wedge lock
19	1361119	Tool 588203:3	5		•Cable terminal round pin
H	1508055	assy	1		Connector
20	1392811	4-pol.	1		•Contact housing
21	1446813	Tool 99494:B/C	5		•Cable terminal round socket

**16-70-1212 Contact housing, kit, DC9A/D12/D16 EMS**

Pos.	Part no.	Remark	A	B	Description
22	1446823		5		•Seal
23	1367258		2		•Plug
24		nsp	1		•Dust cover
J	1507253	assy	1		Connector
25	1402288	7-pol.	1		•Contact housing
26	1402290	Tool 99494:B/C	9		•Cable terminal round socket
27	1367259		8		•Seal
28	1367258		3		•Plug
29		nsp	1		•Dust cover
K		diagnos to CAN-bus			Connector
30	1777502		1		KIT
	1862924	1798763 SDP3 to adapter	1		Cable harness
L		External emergency stop			
	1845823		1		KIT
31	1528286		1		•Contact housing
32	1529440		1		•Wedge lock
33	1360371	Tool 99496:A	6		•Cable terminal round socket
34	1779819		1		•Boot



16-70-4010 Electrical equipment, electrical components,



112741

**16-70-4010 Electrical equipment, electrical components,**

Pos.	Part no.	Remark	Description
1	249293	1-POL.	Contact housing
	813550	2-POL.	Contact housing
	813552	3-POL.	Contact housing
	813554	9-POL.	Contact housing
	813558	12-POL.	Contact housing
2	813919		Cable terminal round pin
3	249296	1-POL.	Contact housing
	813551	2-POL.	Contact housing
	813553	3-POL.	Contact housing
	813556	9-POL.	Contact housing
	813559	12-POL.	Contact housing
4	813925	0,5-2,0mm ²	Cable terminal flat socket
5	305941		Contact housing
6	813930	POL.1,2,5,6	Cable term., flat socket/ pin
7	813917	0,5-1,5	Cable terminal flat socket
		POL.3,4 0,5-1,5 mm ²	
	813918	1,0-2,5	Cable terminal flat socket
		POL.3,4 1,0-2,5 mm ²	
8	813524	2-POL.	Contact housing
	807119	4-POL.	Contact housing
	807121	6-POL.	Contact housing
9	813882	0,75-2,5mm ²	Cable terminal flat pin
	813882	1340845 0,75-2,5mm ²	Cable terminal flat pin
10	813525	2-POL.	Contact housing
	807120	4-POL.	Contact housing
	813528	807122 6-POL.	Contact housing
11	814020	0,5-1,5mm ²	Cable terminal flat socket
	813909	4,0-6,0mm ²	Cable terminal flat socket
12	813579	3-POL.	Contact housing
	330105	3-4 POL	Latch clamp
13	813882	1340845 0,75-2,5mm ²	Cable terminal flat pin
	813882	0,75-2,5mm ²	Cable terminal flat pin
14	813578	3-POL.	Contact housing
15	814020	0,5-1,5mm ²	Cable terminal flat socket
16	813530	8-POL.	Contact housing
	813528	6-POL.	Contact housing
	807120	4-POL.	Contact housing
	813525	2-POL.	Contact housing
17	814020	0,5-1,5mm ²	Cable terminal flat socket
18	813562	1-POL.	Contact housing
	813563	2-POL.	Contact housing
	815632	2-POL. ABS	Contact housing

**16-70-4010 Electrical equipment, electrical components,**

Pos.	Part no.	Remark	Description
	813564	3-POL.	Contact housing
	813565	4-POL.	Contact housing
	813566	7-POL.	Contact housing
	815637	D11 EDC Service	Connector
19	813567	1-POL.	Contact housing
	813568	2-POL.	Contact housing
	815638	2-POL. ABS	Contact housing
	813569	3-pol.	Contact housing
	813570	4-POL.	Contact housing
	813571	7-POL.	Contact housing
	815643	EDC	Electrical socket
20	813923		Cable terminal round pin
21	813928		Cable terminal flat socket
22	813572	D=14 MM (2-POL.)	Boot
	814238	6,2-9,0mm ² D=15,5MM (3-4POL.)	Boot
	814534	D= (5-6-7 POL.)	Boot
	814776	4,2-6,5mm ² 2-pol.	Boot
	815832	6,2-9,0mm ² 2-pol.	Boot
	814238	6,2-9,0mm ² 3,4-pol.	Boot
23	330104	2-pol.	Latch clamp
	330105	3,4-pol.	Latch clamp
	815711	2,3,4-pol.	Latch clamp
	815715	5,6,7-pol.	Latch clamp
24	950331	2-POL.	Contact housing
	950341	1-POL.	Contact housing
	950343	4-POL.	Contact housing
	950347	6-POL.	Contact housing
	389202	L=1000mm	Cable harness
25	1117327	L=1000mm Black/svart	Sleeve
	1117328	L=1000mm Red/röd	Sleeve
26	950168	2-POL.	Contact housing
	950342	1-POL.	Contact housing
	950344	4-POL.	Contact housing
	950325	Fan switch	Contact housing
	950668	6-POL.	Contact housing
	389203	L=1000mm	Cable terminal round pin
27	1117329	L=1000mm Red/röd	Cable terminal round pin
	1117330	L=1000mm Black/svart	Cable terminal round pin
28	341333	1,0-2,6 mm ²	Jointing sleeve
	341332	0,25-1,6 mm ²	Jointing sleeve
	341334	2,7-6,6 mm ²	Jointing sleeve
	380128		Insulation
	380129		Insulation
	1112499	Glue/lim	Jointing sleeve
	1112500	Glue/lim	Jointing sleeve

**16-70-4010 Electrical equipment, electrical components,**

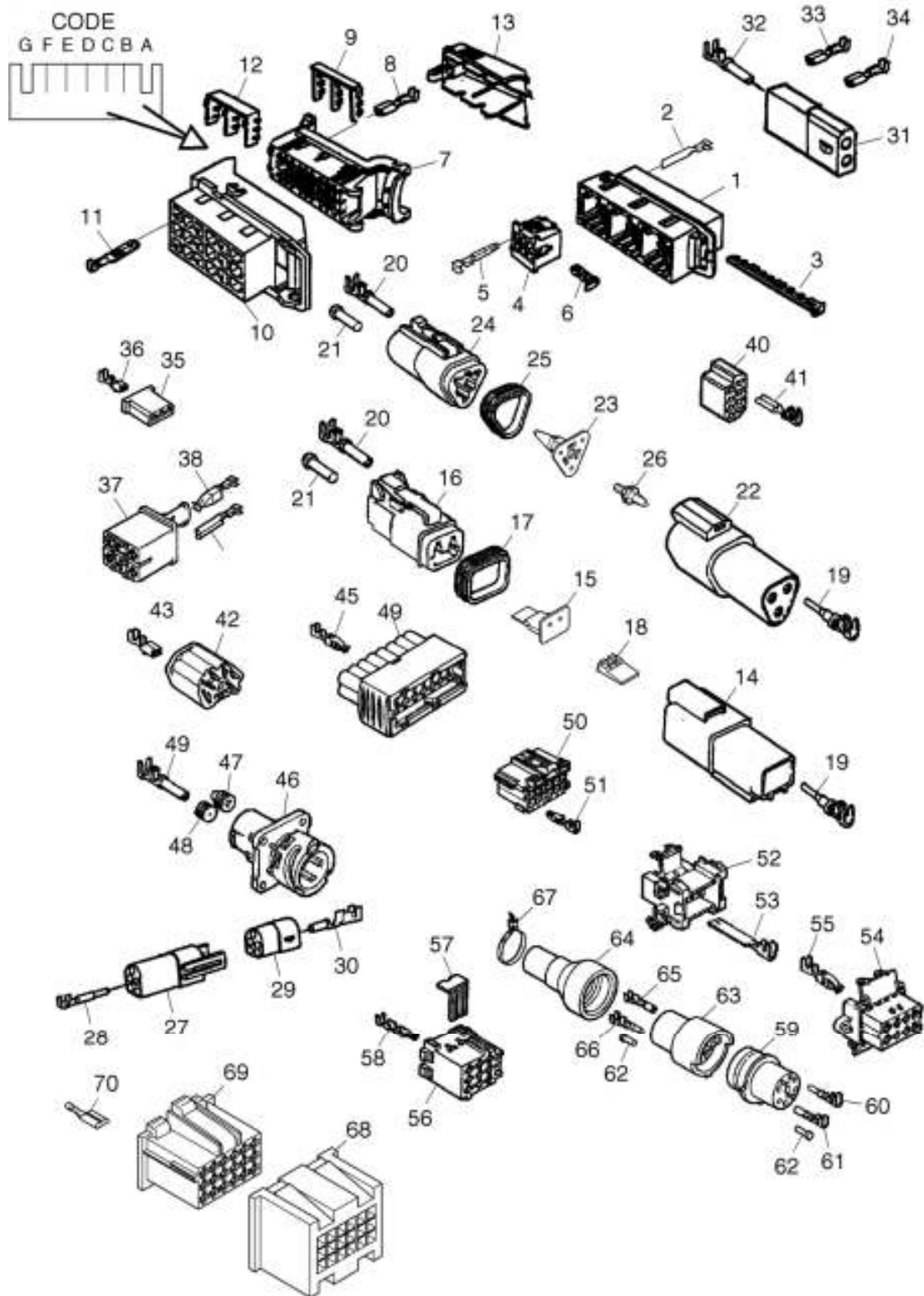
Pos.	Part no.	Remark	Description
	1112501	Glue/lim	Jointing sleeve
29	1438552	1107462	Contact housing
30	813515		Cable terminal flat socket
32	813533	3-POL.	Contact housing
33	815701		Cable terminal flat socket
38	815826	912355	Contact housing
39	912059	0,5-1,0mm ²	Cable terminal flat socket
	912094	1,0-2,5mm ²	Cable terminal flat socket
40	355223	M24 M24	Contact housing
	393794	M24	•Contact housing
	1378883	M24	Connector
	1400162	M24 L:4000mm	Contact housing
	1424532	1400161 M24 ADR Blue L:4000mm	Connector
41	813516		Cable terminal flat socket
42	301495		Washer
43	1362615		Nut
	1392166	M24	Nut
	1362615	M24 ADR Blue(valve4/2)	Nut
44	298753		Protection plug
45	1378882		Contact housing
46	813516		Cable terminal flat socket
47	371956		Washer
48	1341349	M27	Nut
49	308770		Grommet
50	1121605	7-POL.	Contact housing
51	1320524	7-POL.	Cable terminal round pin
	348675	14-POL.	Contact housing
	355125	14-POL.	Cable terminal round pin
	1117552		Connector
52	1121606	7-POL.	Contact housing
53	1320525	7-POL.	Cable terminal flat socket
	348674	14-POL.	Contact housing
	355132	14-POL.	Cable terminal flat socket
	1117553		Connector
54	1320610	2-pol 2-pol.	Contact housing
55	1320616		Cable terminal flat socket
56	1320611	2-pol	Contact housing
57	1325001		Cable terminal flat pin
58	1324073		Seal
59	1439096	132496	Insulation
60	382321	14-pol. S1	Contact housing
61	813925	0,5-2,0mm ² S1	Cable terminal flat socket

**16-70-4010 Electrical equipment, electrical components,**

Pos.	Part no.	Remark	Description
	813927	2,0-4,0mm ² S1	Cable terminal flat socket
62	382322	16-pol. Black/svart	Contact housing
	382323	16-pol. Yellow/Gul	Contact housing
	813560		Contact housing
63	815702		Cable terminal flat socket
	815703		Cable terminal flat socket
	813514	For 813560	Cable terminal round pin
	813867	For 813560	Cable terminal round pin
64	382964	8-pol. White/vit	Contact housing
	382965	8-pol. Yellow/Gul	Contact housing
	382966	8-pol. Red/Röd	Contact housing
	382967	Brown/Brun	Contact housing
65	813917	813517 0,5-1,5	Cable terminal flat socket
	815702		Cable terminal flat socket
	815886		Cable terminal flat socket
	813918	1,0-2,5	Cable terminal flat socket
66	383055		Relay socket
	813907	1,0-2,5mm ²	Cable terminal flat socket
	850984	2,8mm	Cable terminal flat socket
67	330112		Relay socket
68	815715		Latch clamp
	815711	ABS	Latch clamp
69	1387067		Holder
	815361	L=185x4,6	Cable tie



16-70-4242 Electrical equipment, electrical components,



**16-70-4242 Electrical equipment, electrical components,**

Pos.	Part no.	Remark	A	Description
1	1350743	3x6pol. Cod ABC	rq	Contact housing
	1350747	3x6pol. Cod DEF	rq	Contact housing
	1351313	3x6pol. Cod GHJ	rq	Contact housing
2	815847	0,5-1,0mm ²	rq	Cable terminal flat pin
	815848	815654	rq	Cable terminal flat pin
	815849	815655 4,0-6,0mm ²	rq	Cable terminal flat pin
	815847	815653 0,5-1,0mm ²	rq	Cable terminal flat pin
	815849	4,0-6,0mm ²	rq	Cable terminal flat pin
3	1356253		rq	Wedge lock
4	1350744	A	rq	Contact housing
	1350745	B	rq	Contact housing
	1350746	C	rq	Contact housing
	1350748	D	rq	Contact housing
	1350749	E	rq	Contact housing
	1350750	F	rq	Contact housing
	1351314	G	rq	Contact housing
	673917	for 1351314	l	Diode
	1351315	H	rq	Contact housing
	1351316	J	rq	Contact housing
5	815650	0,5-1,0mm ²	rq	Sleeve
	815651	1,5-2,5mm ²	rq	Cable terminal flat socket
6	1356252		rq	Wedge lock
7	1348630	17-pol.COD:ABCDEFG	rq	Contact housing
	1348631	17-pol.COD:AC	rq	Contact housing
	1348632	17-pol.COD:AD	rq	Contact housing
	1348633	17-pol.COD:AE	rq	Contact housing
	1348634	17-pol.COD:AF	rq	Contact housing
	1348635	17-pol.COD:AG	rq	Contact housing
	1348636	17-pol.COD:BD	rq	Contact housing
	1348637	17-pol.COD:BE	rq	Contact housing
	1348638	17-pol.COD:BF	rq	Contact housing
	1348639	17-pol.COD:BG	rq	Contact housing
	1348640	17-pol.COD:CE	rq	Contact housing
	1348641	17-pol.COD:CF	rq	Contact housing
	1348642	17-pol.COD:CG	rq	Contact housing
	1348643	17-pol.COD:DF	rq	Contact housing
	1348644	17-pol.COD:DG	rq	Contact housing
	1348645	17-pol.COD:EG	rq	Contact housing
8	815650	0,5-1,0mm ²	rq	Sleeve
	815651	1,5-2,5mm ²	rq	Cable terminal flat socket
	815652		rq	Sleeve
9	1341108	For sleeve/hylsa	rq	Wedge lock
10	1348650	17-pol.COD:ABCDEFG	rq	Contact housing
	1348651	17-pol.COD:AC	rq	Contact housing
	1348652	17-pol.COD:AD	rq	Contact housing
	1348653	17-pol.COD:AE	rq	Contact housing
	1348654	17-pol.COD:AF	rq	Contact housing

16-70-4242 Electrical equipment, electrical components,

Pos.	Part no.	Remark	A	Description
	1348656	17-pol.COD:BD	rq	Contact housing
	1348659	17-pol.COD:BG	rq	Contact housing
	1348660	17-pol.COD:CE	rq	Contact housing
	1348661	17-pol.COD:CF	rq	Contact housing
	1348662	17-pol.COD:CG	rq	Contact housing
	1348663	17-pol.COD:DF	rq	Contact housing
	1348664	17-pol.COD:DG	rq	Contact housing
11	815847	815653 0,5-1,0mm ²	rq	Cable terminal flat pin
	815848	815654	rq	Cable terminal flat pin
	815849	815655 4,0-6,0mm ²	rq	Cable terminal flat pin
12	1341109	For pin/stift	rq	Wedge lock
13	1327887		rq	Casing
14	1342962	2-pol.	rq	Contact housing
	1430752	2-pol. H4,T9,N2,N8,N9	rq	Contact housing
		For thin insulation		
	1427162	Tool 99496:B	rq	Cable terminal round pin
	1342964	4-pol.	rq	Insulation plate
	1395886	4-pol. Crew Cab	rq	Contact housing
	1430754	4-pol.	rq	Contact housing
		T9		Sensor, oil pressure
	1355397	6-pol.	rq	Contact housing
		Wind screen viper motor		
15	1347492	2-pol 2-pol.	rq	Wedge lock
	1347494	4-pol.	rq	Wedge lock
	1355396	6-pol.	rq	Wedge lock
	1505951	6-pol. V59	1	Wedge lock
	1369285	12-pol. DEC2	rq	Wedge lock
16	1342963	2-pol 2-pol.	rq	Contact housing
	1438246	2-pol. EBS,H4,T9,N8,N9	rq	Contact housing
	1342965	4-pol.	rq	Contact housing
	1355395	6-pol.	rq	Contact housing
	1505950	6-pol, V59	1	Contact housing
		1477444 V59	1	Gasket
	1369284	12-pol.	rq	Contact housing
17	1421218	2-pol.	1	Gasket
18	1347491	2-pol 2-pol.	rq	Wedge lock
	1347493	4-pol.	rq	Wedge lock
	1355398	6-pol.	rq	Wedge lock
	1369285	12-pol. DEC 2	rq	Wedge lock
19	1361119	Tool 588203:3 AU-plated	rq	Cable terminal round pin
	1360370	Ni-plated	rq	Cable terminal round pin
	1342967	Solid Ni-plated	rq	Cable terminal round pin
	1427162	Tool 99496:B Nickel	rq	Cable terminal round pin
				Sensor, oil pressure
20	1361118	AU-plated	rq	Cable terminal round socket
	1360371	Tool 99496:A Ni-plated	rq	Cable terminal round socket
21	1342966		rq	Plug

16-70-4242 Electrical equipment, electrical components,

Pos.	Part no.	Remark	A	Description
22	1349110	3-POL.	rq	Contact housing
23	1349113	3-pol, orange	rq	Wedge lock
24	1349111	3-pol	rq	Contact housing
	1440853	FMS	1	Contact housing
25	1421217	3-pol.	1	Gasket
26	1349112	3-pol, orange	rq	Wedge lock
27	199953	5-POL. Blue/Blå	rq	Contact housing
	199948	Red/Röd	rq	Contact housing
28	199950	0,75-1,5mm ²	rq	Cable terminal round pin
29	199951	5-POL. Blue/Blå	rq	Contact housing
	199947	Red/Röd	rq	Contact housing
30	199949	0,75-1,5mm ²	rq	Cable terminal flat socket
	199955	1,5-2,5mm ²	rq	Cable terminal flat socket
31	1324632	GRS900	1	Connector
32	1324633	GRS900	rq	Cable terminal round socket
33	1320547	GRS900	3	Cable terminal flat socket
34	1320548	GRS900	1	Cable terminal flat socket
35	815681	M22	rq	Electrical socket
36	815885		rq	Cable terminal flat socket
37	1361035		1	Contact housing
38	815658	0,5-1,0mm ²	rq	Sleeve
	815659	1,5-2,5mm ²	rq	Sleeve
39	813930		rq	Cable term., flat socket/ pin
	813891		rq	Cable terminal flat socket
40	1348758		rq	Contact housing
41	815699	1,0-2,5mm ²	rq	Cable terminal flat socket
	813909	4,0-6,0mm ²	rq	Cable terminal flat socket
42	950325	Fan switch/Fläktströmst.	1	Contact housing
43	815885		7	Cable terminal flat socket
44	815674	16-pol. R1 (Black/Svart)	rq	Contact housing
	815675	16-pol. E17 (Grey/Grå)	1	Contact housing
45	815886	815660	rq	Cable terminal flat socket
46	1395886		1	Contact housing
47	1397771		rq	Boot
48	1397772		rq	Boot
49	1395891		rq	Cable terminal round pin
50	1377833	Wabco D 6S,6M	rq	Contact housing
51	815886	815660	rq	Cable terminal flat socket
	815888	815661	rq	Cable terminal flat socket

16-70-4242 Electrical equipment, electrical components,

Pos.	Part no.	Remark	A	Description
52	1369231	CTT, RADIO	1	Contact housing
53	815910		rq	Cable terminal flat socket
54	1396733		1	Contact housing
55	1396734		rq	Cable terminal flat socket
56	1409567	6-pol. ABS WABCO	1	Contact housing
	1409568	9-pol. ABS WABCO	1	Contact housing
	1409569	12-pol. ABS WABCO	1	Contact housing
	1409570	15-pol. ABS WABCO	1	Contact housing
	1454880	17-pol. ABS,EBS WABCO	1	Contact housing
57	1409443	6-pol.	1	Wedge lock
	1409444	9-pol.	1	Wedge lock
	1409445	12-pol.	1	Wedge lock
	1409446	15-pol.	1	Wedge lock
	1454881	17-pol.	1	Locking device
58	815886	815660	rq	Cable terminal flat socket
	815888	815661	rq	Cable terminal flat socket
	1421492	6-pol, to 1409567	rq	Contact housing
	1409443		rq	Wedge lock
	816142	Tool 99491:A	rq	Cable terminal flat pin
	1409447	12-pol. Green for pin	rq	Contact housing
	1409445		rq	Wedge lock
	816142	Tool 99491:A	rq	Cable terminal flat pin
	816143	Tool 99492:A/B	rq	Cable terminal flat pin
59	815728	10-pol. GRS900	1	Electrical socket
60	813923		4	Cable terminal round pin
61	813928		4	Cable terminal flat socket
62	815724		2	Plug
63	815727	10-pol. GRS900	1	Electrical socket
64	1354884		2	Boot
654	815840		4	Cable terminal flat socket
66	815838		4	Cable terminal round pin
67	815360	L=100x2,4	2	Cable tie
68	1441537	G1	1	Junction block
69	1431424	G1	1	Contact housing
70	1443343	Tool 99491:B	rq	Cable terminal flat socket
	1443344	Tool 99493:B	rq	Cable terminal flat socket
	1443345	Tool 99493:C	rq	Cable terminal flat socket
	1345549	E18	1	Contact housing
	815702	E18	rq	Cable terminal flat socket