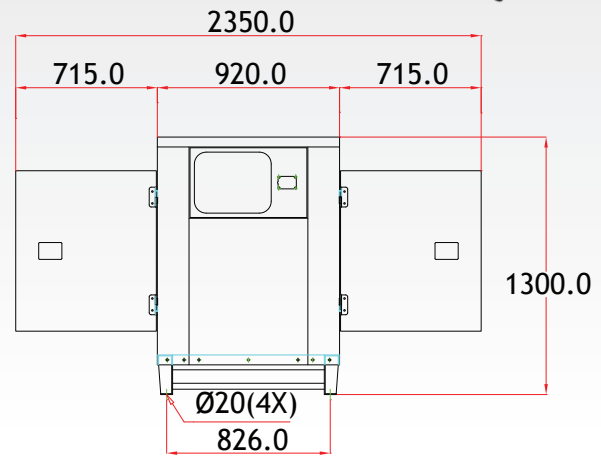
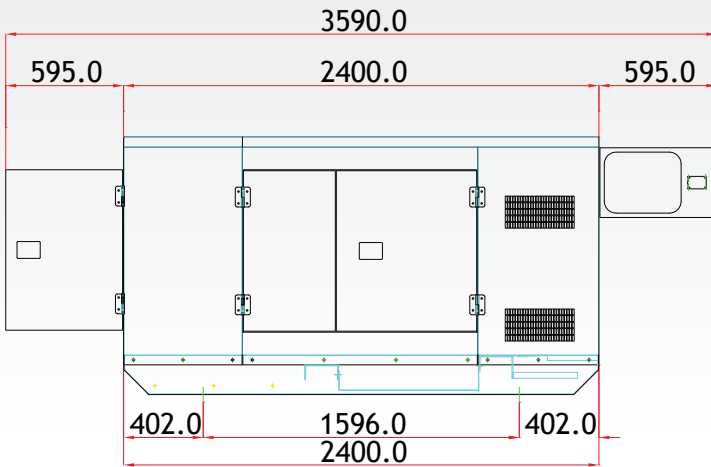
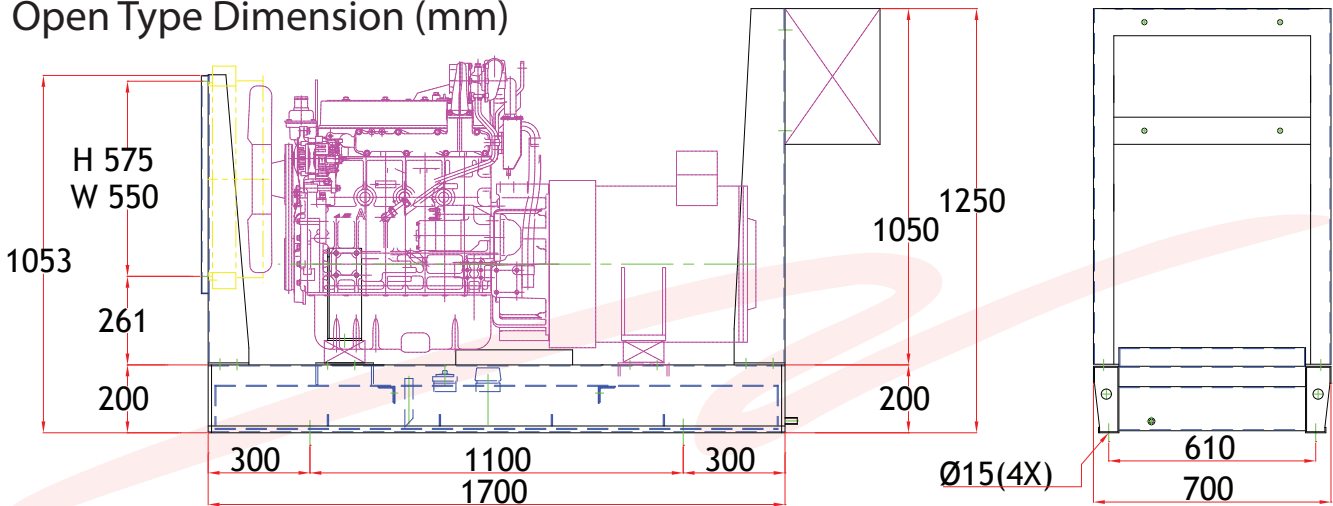




Silent Type Dimension (mm)



Open Type Dimension (mm)



Genset & Engine Specification

AC Generator Model			YTG75TLV
Output rating (kVA)	50 Hz	380V	Prime 60
			Standby 66
	60 Hz	440V	Prime 65
			Standby 70
Rated current (A)	50 Hz	Prime 91,3	
		Standby 100,4	
	60 Hz	Prime 85,3	
		Standby 91,8	
Rated frequency / rated speed	50 Hz	1500 RPM	
	60 Hz	1800 RPM	
No. of poles	4 poles		
Phase and wire	3-phase / 4 wires		
Power factor	0.8 (lagging)		
Voltage regulation	Within +/- 1.5 %		
Excitation	Brushless, Rotating Exciter (with AVR)		
Insulation	Class 'F'		
Approx dry weight (silent)	kg	1362	
Sound Level dBA from 1 meter / 7 meter	dBA	78 / 68	
Approx dry weight (open)	kg	1045	

Engine Model		4TNV 106T
Type of combustion chamber		Direct Injected
Air intake system		Turbo Charged
Output rating (kW)	1500 RPM (50 Hz)	50.9
	1800 RPM (60 Hz)	60.9
Rated speed (50/60 Hz, rpm)		1500 / 1800
Bore (mm) x stroke (mm)		106 x 125
Piston displacement (cm ³)		4412
No. of cylinders		4
Fuel		Diesel Fuel ASTM 2D
Fuel consumption (L/hr) at 100% load	50 Hz	11,7
	60 Hz	12,6
Lubricating oil capacity (L)		14
Coolant capacity (L)		6
Fuel tank capacity (L)	sound proof	140
	open skid	110
Starting motor (v-kW)		12 - 3.0
Charging generator (V-A)		12 - 60
Battery capacity (V-Ah)		12 - 65 x 1
Starting system		Electric Starting Motor
Cooling system		Radiator with fan
Lubricating system		Forced lubrication with trochoid pump

POWERED BY :

