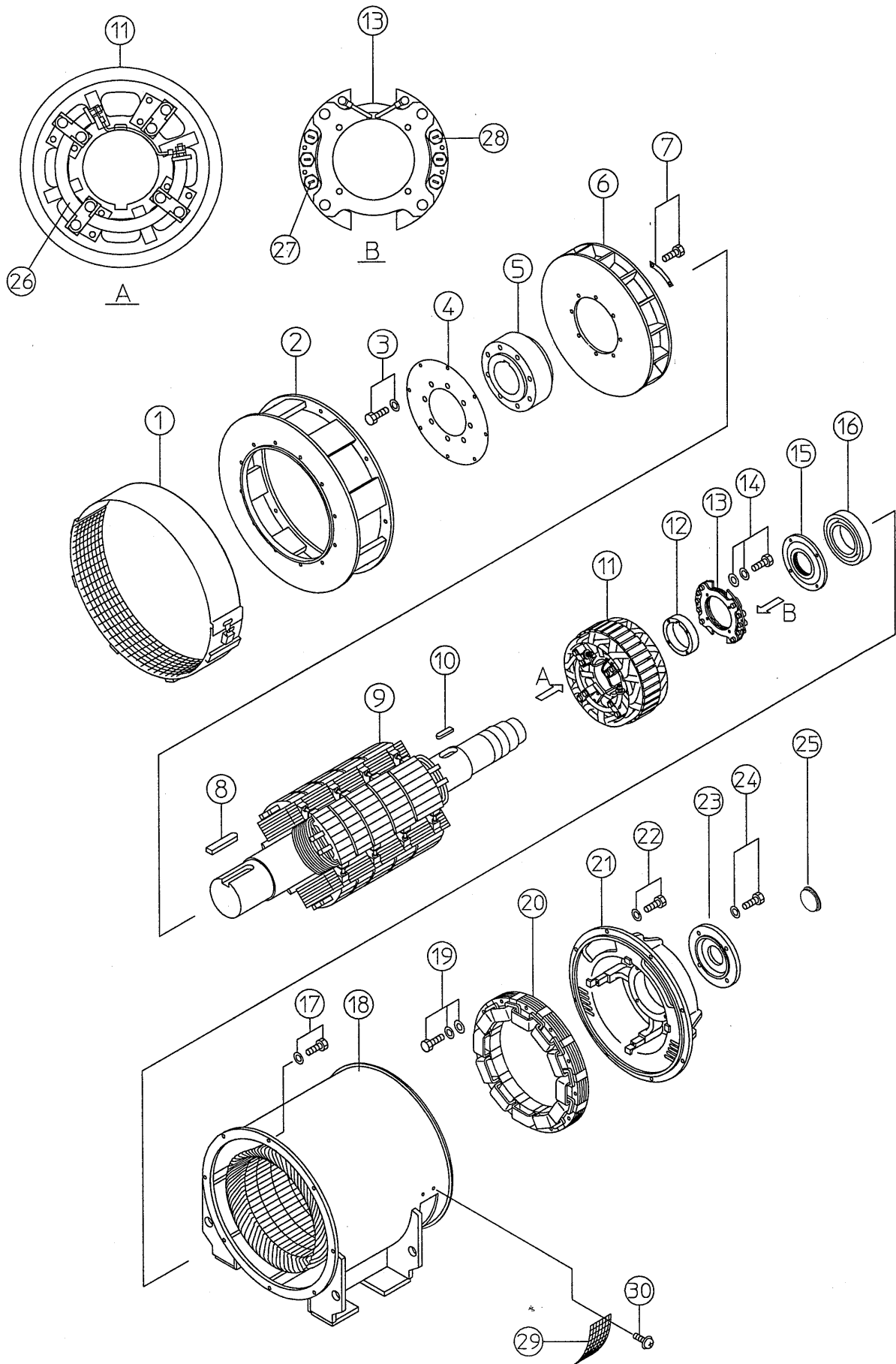


PART LIST

LX-G 46A~61B



Item	Part Description	LX-G 46A,46B,46CS,46C		LX-G 53C,53D,53E		LX-G 61A,61BS,61B	
		Part Number	Q'ty	Part Number	Q'ty	Part Number	Q'ty
1	Ventilation cover	GM412150	1	GM404839-1	1	GM39794-3	1
2	Spacer #14	GM302808-1	1	GM302654-1	1	GM302659	1
3	Coupling Plate Mounting Fasteners						
	Bolt	BM16-30 (46A,46B)	8	BM20-35	8	BM20-40	8
	Washer, Spring	BM20-35 (46CS,46C)	8	WMS-20	8	WMS-20	8
		WMS-16 (46A,46B)	8				
		WMS-20 (46CS,46C)	8				
4	Coupling Plate #14	GM405120 (46A,46B)	6	GM405939 (53C,53D)	7	GM410362 (61A)	10
		GM405939 (46CS,46C)	6	GM405939 (53E)	8	GM410362 (61BS,61B)	11
5	Coupling Boss						
		GM411659 (46A,46B)	1	GM302652	1	GM302657	1
		GM302146 (46CS,46C)	1				
6	Fan	GM34869-2	1	GM35671-1	1	GM37769-1	1
7	Fan Mounting Fastener						
	Bolt	BM10-20	8	BM12-20	6	BM12-20	8
	Washer	GM401925-1 No.3	4	M453786	3	GM406700	4
8	Key for Coupling Boss	M429122-1	1	GM402860	1	GM406703	1
9	Main Rotor Assembly	O/S GA 4565 (46A)	1	O/S GA 4568 (53C)	1	O/S GA 4571 (61A)	1
		O/S GA 4566 (46B) (#1-14)	1	O/S GA 4569 (53D)	1	O/S GA 4632 (61BS)	1
		O/S GA 4668 (46B) (#-11.5)	1	O/S GA 4588 (53E) (362kVA)	1	O/S GA 4572 (61B)	1
		O/S GA 4587 (46CS)	1	O/S GA 4570 (53E) (400kVA)	1		
		O/S GA 4567 (46C)	1				
10	Key for Exciter Armature	GM403293	1	GM403293 (53C,53D)	1	GM402926 (61A,61BS)	1
				GM402926 (53E)	1	GM49026 (61B)	1
11	Exciter Armature Assembly	O/S GA 4565 (46A)	1	O/S GA 4568 (53C)	1	O/S GA 4571 (61A)	1
		O/S GA 4566 (46B) (#1-14)	1	O/S GA 4569 (53D)	1	O/S GA 4632 (61BS)	1
		O/S GA 4668 (46B) (#-11.5)	1	O/S GA 4588 (53E) (362kVA)	1	O/S GA 4572 (61B)	1
		O/S GA 4587 (46CS)	1	O/S GA 4570 (53E) (400kVA)	1		
		O/S GA 4567 (46C)	1				
12	Rotating Rectifier Boss	GM411305-1	1	GM411305-1	1	GM411305-1	1
13	Rotating Rectifier	GM302136	1	GM301844-1	1	GM301844-1	1
14	Rotating Rectifier Fasteners						
	Bolt	BM6-20	4	BM6-20	4	BM6-20	4
	Washer, Spring	WMS-6	4	WMS-6	4	WMS-6	4
	Washer, Plate	PWM-6	4	PWM-6	4	PWM-6	4
15	Bearing Cover	—	—	4M525-010-1	1	4M158-015-1	1
16	Bearing	6314ZZ	1	6314ZZ	1	6318ZZ	1
17	Spacer Mounting Fasteners						
	Bolt	BM10-25	10	BM12-30	8	BM12-30	8
	Washer, Spring	WMS-10	10	WMS-12	8	WMS-12	8
18	Main Stator Assembly	O/S GA 4565 (46A)	1	O/S GA 4568 (53C)	1	O/S GA 4571 (61A)	1
		O/S GA 4566 (46B) (#1-14)	1	O/S GA 4569 (53D)	1	O/S GA 4632 (61BS)	1
		O/S GA 4668 (46B) (#-11.5)	1	O/S GA 4588 (53E) (362kVA)	1	O/S GA 4572 (61B)	1
		O/S GA 4587 (46CS)	1	O/S GA 4570 (53E) (400kVA)	1		
		O/S GA 4567 (46C)	1				
19	Exciter Field Fasteners						
	Bolt	BM8-50	4	BM8-50 (53C,53D)	4	BM8-65 (61A,61BS)	4
				BM8-65 (53E)	4	BM8-75 (61B)	4
	Washer, Spring	WMS-8	4	WMS-8	4	WMS-8	4
	Washer, Plate	PWM-8	4	PWM-8	4	PWM-8	4
20	Exciter Field Assembly	O/S GA 4565 (46A)	1	O/S GA 4568 (53C)	1	O/S GA 4571 (61A)	1
		O/S GA 4566 (46B) (#1-14)	1	O/S GA 4569 (53D)	1	O/S GA 4632 (61BS)	1
		O/S GA 4668 (46B) (#-11.5)	1	O/S GA 4588 (53E) (362kVA)	1	O/S GA 4572 (61B)	1

Item	Part Description	LX-G 46A,46B,46CS,46C		LX-G 53C,53D,53E		LX-G 61A,61BS,61B				
		Part Number	Q'ty	Part Number	Q'ty	Part Number	Q'ty			
21	End Bracket	O/S GA 4587 (46CS)	1	O/S GA 4570 (53E) (400kVA)	1	GM22075-3	1			
		O/S GA 4567 (46C)	1							
		GM302135	1							
22	End Bracket Mounting Fasteners			GM22076-5	1					
		Bolt	BM10-25			6	BM10-30	8	BM12-35	8
		Washer, Spring	WMS-10			6	WMS-10	8	WMS-12	8
23	Bearing Shield	GM49378-b	1	GM49378-b	1	GM406673	1			
24	Bearing Shield Mounting Fasteners									
		Bolt	BM6-20	4	BM6-65	4	BM10-85	4		
		Washer, Spring	WMS-6	4	WMS-6	4	WMS-10	4		
25	Rubber Bolt	GM403175	1	GM403175	1	GM403175	1			
26	Resistor	GM411301-2	1	GM411301-2	1	GM411301-2	1			
27	Silicon J	SIE01-12	3	61MA-100	3	SIG01-12	3			
28	Silicon K	ERE51-12	3	61M-100	3	ERG51-12	3			
29	Cover	GM412149-1 (46A)	2	GM411712	2	GM411828	2			
		GM412296(46B,46CS,46C)	1							
30	Cover Mounting Fasteners									
		Bolt with Washer	M6-12-SW ,PW(46A)	8	M6-12-SW ,PW	8	M6-12-SW ,PW	8		
			M6-12-SW ,PW(46B,46CS,46C)	4						