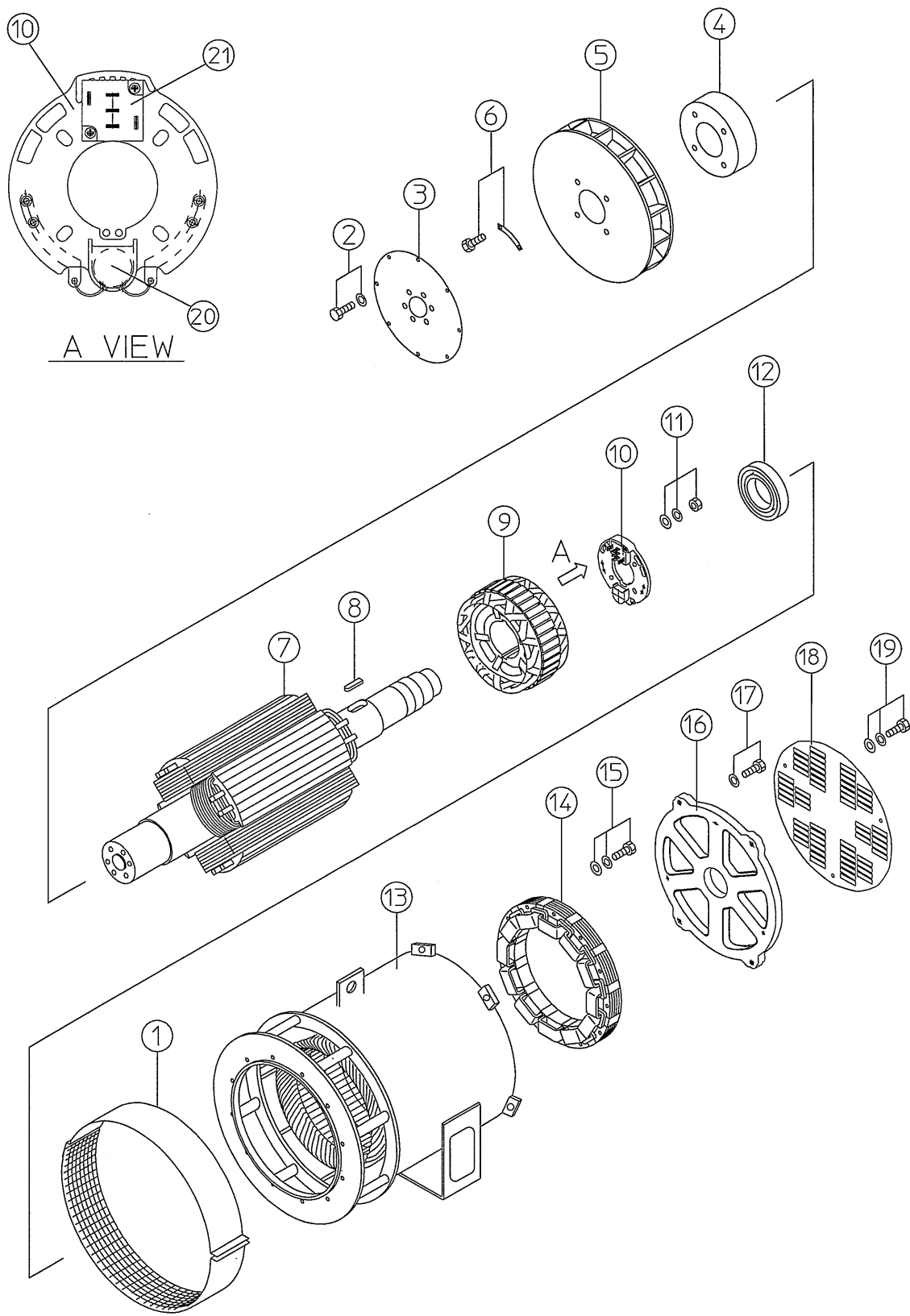


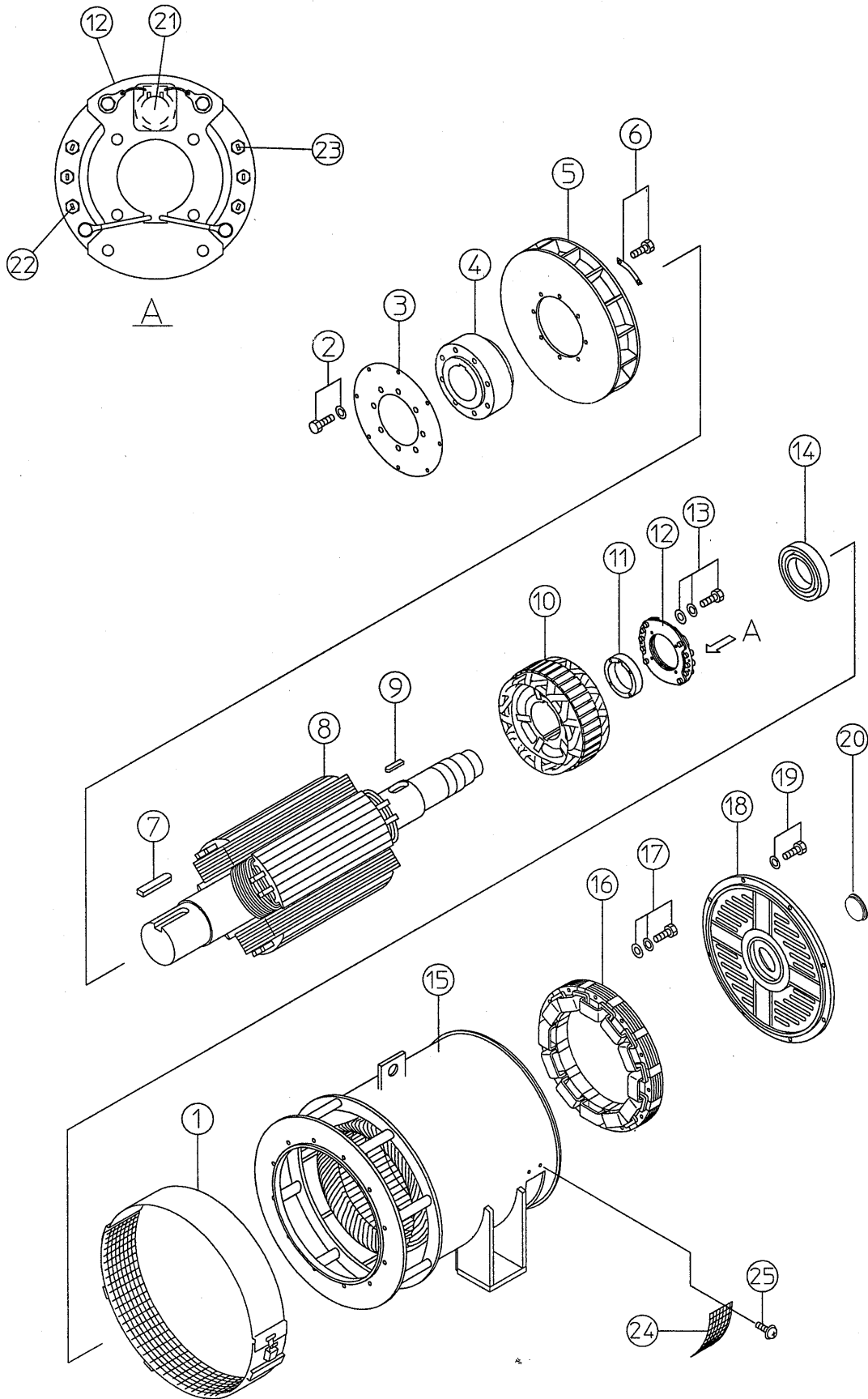
# PART LIST

LX-G 26B-N-26G-N



Item	Part Description	LX-G 26B-N		LX-G 26D-N		LX-G 26GS-N		LX-G 26G-N	
		Part Number	Q'ty	Part Number	Q'ty	Part Number	Q'ty	Part Number	Q'ty
1	Ventilation cover #4	GM412739-1	1	GM412739-1	1	GM412739-1	1	GM412739-1	1
	Bolt with Washer	M6-25- SW, PW	2	M6-25- SW, PW	2	M6-25- SW, PW	2	M6-25- SW, PW	2
2	Coupling Plate Mounting Fasteners								
	Bolt	BM10-20(11T)	6	BM10-20(11T)	6	BM10-20(11T)	6	BM10-20(11T)	6
	Washer, Spring	WMS-10	6	WMS-10	6	WMS-10	6	WMS-10	6
3	Coupling Plate #7 1/2	GM412736	3	GM412736	4	GM412736	4	GM412736	4
4	Fan Boss	GM412583-1	1	GM412583-1	1	GM412583-1	1	GM412583-1	1
5	Fan	GM303808-1	1	GM303808-1	1	GM303808-1	1	GM303808-1	1
6	Fan Mounting Fastener								
	Bolt	BM8-15	4	BM8-15	4	BM8-15	4	BM8-15	4
	Washer	GM412831	2	GM412831	2	GM412831	2	GM412831	2
7	Main Rotor Assembly	—	1	—		—	1	—	1
8	Key for Exciter Armature	GM410577 No.1	1	GM410577 No.1	1	GM410577 No.2	1	GM410577 No.2	1
9	Exciter Armature Assembly	—	1	—		—	1	—	1
10	Rotating Rectifier	GM303714	1	GM303714	1	GM303714	1	GM303714	1
11	Rotating Rectifier Fasteners								
	Nut	NM-6	4	NM-6	4	NM-6	4	NM-6	4
	Washer, Spring	WMS-6	4	WMS-6	4	WMS-6	4	WMS-6	4
	Washer, Plate	PWM-6	4	PWM-6	4	PWM-6	4	PWM-6	4
12	Bearing	6306ZZ	1	6306ZZ	1	6306ZZ	1	6306ZZ	1
13	Main Stator Assembly	—	1	—		—	1	—	1
14	Exciter Field Assembly	—	1	—		—	1	—	1
15	Exciter Field Fasteners								
	Bolt	BM6-40	4	BM6-40	4	BM6-45	4	BM6-45	4
	Washer, Spring	WMS-6	4	WMS-6	4	WMS-6	4	WMS-6	4
	Washer, Plate	PWM-6	4	PWM-6	4	PWM-6	4	PWM-6	4
16	End Bracket	GM303712-4	1	GM303712-4	1	GM303712-4	1	GM303712-4	1
17	End Bracket Mounting Fasteners								
	Bolt	BM8-45	4	BM8-45	4	BM8-45	4	BM8-45	4
	Washer, Spring	WMS-8	4	WMS-8	4	WMS-8	4	WMS-8	4
18	Cover	GM412820	1	GM412820	1	GM412820	1	GM412820	1
19	Cover Mounting Fasteners								
	Bolt with Washer	M6-15-SW,PW	3	M6-15-SW,PW	3	M6-15-SW,PW	3	M6-15-SW,PW	3
20	Resistor	ENE471D-20A	1	ENE471D-20A	1	ENE471D-20A	1	ENE471D-20A	1
21	Silicon	S30VT80	1	S30VT80	1	S30VT80	1	S30VT80	1

PART LIST  
LX-G 26B~40D



Item	Part Description	LX-G 26B,26D,26GS,26G		LX-G 30CL,30DL		LX-G 34DL		LX-G 40A,40BL,40CS,40D	
		Part Number	Q'ty	Part Number	Q'ty	Part Number	Q'ty	Part Number	Q'ty
1	Ventilation cover	GM404906 (26B,26D)	2	GM410713-2	1	GM410714-2	1	GM405075-2 (40A,40BL)	1
		GM410712-2 (26GS,26G)	1					GM410870-2 (40CS)	1
								GM410881-2 (40D)	1
2	Coupling Plate Mounting								
	Fasteners Bolt	BM12-25	6	BM12-25	8	BM16-30	8	BM16-30	8
	Washer, Spring	WMS-12	6	WMS-12	8	WMS-16	8	WMS-16	8
3	Coupling Plate								
	#7 1/2	GM412143 (26B)	2						
		GM412143(26D,26GS,26G)	3						
	#11 1/2			4M698-014-1	3	4M698-011-1	4	GM404607-1(40A,40BL,40CS)	5
	#14							GM405120 (40D)	6
4	Coupling Boss	—	—	GM410709	1	GM405464	1	GM301320 (40A,40BL)	1
								GM301523 (40CS)	1
								GM301524 (40D)	1
5	Fan	GM302778-2	1	GM410486-1	1	GM34865-2	1	GM301110	1
6	Fan Mounting Fastener								
	Bolt	—	—	BM8-20	6	BM10-20	8	BM10-20	8
	Washer	—	—	GM401925-1 No.1	3	GM401925 No.2	4	GM401925-1 No.3	4
7	Key for Coupling Boss	GM410522	1	GM405001-4 No.6	1	GM405001-4 No.8	1	GM405001-4No.9(40A,	1
								GM45844 (40CS,40D)	1
8	Main Rotor Assembly	O/S GA 4142 (26B)	1	O/S GA 4590 (30CL)	1	O/S GA 4592 (34DL)	1	O/S GA 4586 (40A)	1
		O/S GA 4291 (26GS)	1	O/S GA 4591 (30DL)	1			O/S GA 4148 (40BL)	1
		O/S GA 4292 (26G)	1					O/S GA 4212 (40CS)	1
								O/S GA 4213 (40D)	1
9	Key for Exciter Armature	GM410577 No.1(26B,26D)	1	GM409243	1	GM410710	1	GM409421 (40A,40BL)	1
		GM410577 No.2(26GS,26G)	1					GM409422 (40CS,40D)	1
10	Exciter Armature Assy	O/S GA 4142 (26B)	1	O/S GA 4590 (30CL)	1	O/S GA 4592 (34DL)	1	O/S GA 4586 (40A)	1
		O/S GA 4291 (26GS)	1	O/S GA 4591 (30DL)	1			O/S GA 4148 (40BL)	1
		O/S GA 4292 (26G)	1					O/S GA 4212 (40CS)	1
								O/S GA 4213 (40D)	1
11	Rotating Rectifier Boss	GM404902-4	1	GM409478	1	GM409478	1	GM409478	1
12	Rotating Rectifier	GM38089	1	GM38090-1	1	GM38090-1	1	GM36399-5	1
13	Rotating Rectifier								
	Fasteners Bolt	BM6-20	3	BM6-20	4	BM6-20	4	BM6-20	4
	Washer, Spring	WMS-6	3	WMS-6	4	WMS-6	4	WMS-6	4
	Washer, Plate	PWM-6	3	PWM-6	4	PWM-6	4	PWM-6	4
14	Bearing	6308ZZ	1	6309Z	1	6311ZZ	1	6311ZZ	1
15	Main Stator Assembly	O/S GA 4142 (26B)	1	O/S GA 4590 (30CL)	1	O/S GA 4592 (34DL)	1	O/S GA 4586 (40A)	1
		O/S GA 4291 (26GS)	1	O/S GA 4591 (30DL)	1			O/S GA 4148 (40BL)	1
		O/S GA 4292 (26G)	1					O/S GA 4212 (40CS)	1
								O/S GA 4213 (40D)	1
16	Exciter Field Assembly	O/S GA 4142 (26B)	1	O/S GA 4590 (30CL)	1	O/S GA 4592 (34DL)	1	O/S GA 4586 (40A)	1
		O/S GA 4291 (26GS)	1	O/S GA 4591 (30DL)	1			O/S GA 4148 (40BL)	1
		O/S GA 4292 (26G)	1					O/S GA 4212 (40CS)	1
								O/S GA 4213 (40D)	1
17	Exciter Field Fasteners								
	Bolt	BM6-40 (26B,26D)	4	BM6-40	4	BM6-45	4	BM6-50 (40A,40BL)	4
		BM6-45 (26GS,26G)	4					BM6-60 (40CS,40D)	4
	Washer, Spring	WMS-6	4	WMS-6	4	WMS-6	4	WMS-6	4
	Washer, Plate	PWM-6	4	PWM-6	4	PWM-6	4	PWM-6	4
18	End Bracket	GM35141-5	1	GM301082-1	1	GM34467-3	1	GM301109	1
19	End Bracket Mounting								
	Fasteners Bolt	BM8-25	4	BM8-25	6	BM8-25	6	BM10-25	6
	Washer, Spring	WMS-8	4	WMS-8	6	WMS-8	6	WMS-10	6
20	Rubber Bolt	GM403175	1	GM403175	1	GM403175	1	GM403175	1

Item	Part Description	LX-G 26B,26D,26GS,26G		LX-G 30CL,30DL		LX-G 34DL		LX-G 40A,40BL,40CS,40D	
		Part Number	Q'ty	Part Number	Q'ty	Part Number	Q'ty	Part Number	Q'ty
21	Resistor	ENB461D-20A	1	ENB461D-20A	1	ENB461D-20A	1	ENB461D-20A	1
22	Silicon J	ERD51-09	3	ERD51-09	3	ERD51-09	3	ERE51-12	3
23	Silicon K	SID01-09	3	SID01-09	3	SID01-09	3	SIE01-12	3
24	Cover	GM404891 (26B,26D)	1	GM410485-1	1	GM410503-1	1	GM410509-1	1
		GM410485-1(26GS,26G)	1						
25	Cover Mounting Fasteners Bolt With Washer	M6-12-SW,PW(26B,26D)	4	M5-10-SW,PW	4	M5-10-SW,PW	4	M5-10-SW,PW	4
		M5-10-SW,PW(26GS,26G)							